

IMPORTANT:
Read Before Using

IMPORTANT :
Lire avant usage

IMPORTANTE:
Leer antes de usar

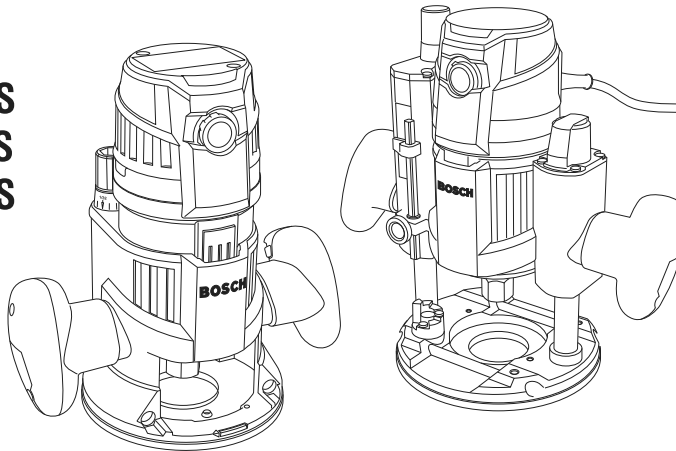


Operating/Safety Instructions

Consignes de fonctionnement/sécurité

Instrucciones de funcionamiento y seguridad

**MRC23EVS
MRF23EVS
MRP23EVS**



BOSCH

**Call Toll Free for
Consumer Information
& Service Locations**

**Pour obtenir des informations
et les adresses de nos centres
de service après-vente,
appelez ce numéro gratuit**

**Llame gratis para
obtener información
para el consumidor y
ubicaciones de servicio**

1-877-BOSCH99 (1-877-267-2499) www.boschtools.com

**For English Version
See page 2**

**Version française
Voir page 28**

**Versión en español
Ver la página 55**

General Power Tool Safety Warnings



WARNING

Read all safety warnings and all instructions. Failure to follow the warnings and instructions may result in electric shock, fire and/or serious injury.

SAVE ALL WARNINGS AND INSTRUCTIONS FOR FUTURE REFERENCE

The term “power tool” in the warnings refers to your mains-operated (corded) power tool or battery-operated (cordless) power tool.

Work area safety

Keep work area clean and well lit. Cluttered or dark areas invite accidents.

Do not operate power tools in explosive atmospheres, such as in the presence of flammable liquids, gases or dust. Power tools create sparks which may ignite the dust or fumes.

Keep children and bystanders away while operating a power tool. Distractions can cause you to lose control.

Electrical safety

Power tool plugs must match the outlet. Never modify the plug in any way. Do not use any adapter plugs with earthed (grounded) power tools. Unmodified plugs and matching outlets will reduce risk of electric shock.

Avoid body contact with earthed or grounded surfaces such as pipes, radiators, ranges and refrigerators. There is an increased risk of electric shock if your body is earthed or grounded.

Do not expose power tools to rain or wet conditions. Water entering a power tool will increase the risk of electric shock.

Do not abuse the cord. Never use the cord for carrying, pulling or unplugging the power tool. Keep cord away from heat, oil, sharp edges or moving parts. Damaged or entangled cords increase the risk of electric shock.

When operating a power tool outdoors, use an extension cord suitable for outdoor use. Use of a cord suitable for outdoor use reduces the risk of electric shock.

If operating a power tool in a damp location is unavoidable, use a Ground Fault Circuit Interrupter (GFCI) protected supply. Use of an GFCI reduces the risk of electric shock.

Personal safety

Stay alert, watch what you are doing and use common sense when operating a power tool. Do not use a power tool while

you are tired or under the influence of drugs, alcohol or medication. A moment of inattention while operating power tools may result in serious personal injury.

Use personal protective equipment. Always wear eye protection. Protective equipment such as dust mask, non-skid safety shoes, hard hat, or hearing protection used for appropriate conditions will reduce personal injuries.

Prevent unintentional starting. Ensure the switch is in the off-position before connecting to power source and / or battery pack, picking up or carrying the tool. Carrying power tools with your finger on the switch or energizing power tools that have the switch on invites accidents.

Remove any adjusting key or wrench before turning the power tool on. A wrench or a key left attached to a rotating part of the power tool may result in personal injury.

Do not overreach. Keep proper footing and balance at all times. This enables better control of the power tool in unexpected situations.

Dress properly. Do not wear loose clothing or jewelry. Keep your hair, clothing and gloves away from moving parts. Loose clothes, jewelry or long hair can be caught in moving parts.

If devices are provided for the connection of dust extraction and collection facilities, ensure these are connected and properly used. Use of dust collection can reduce dust-related hazards.

Power tool use and care

Do not force the power tool. Use the correct power tool for your application. The correct power tool will do the job better and safer at the rate for which it was designed.

Do not use the power tool if the switch does not turn it on and off. Any power tool that cannot be controlled with the switch is dangerous and must be repaired.

Disconnect the plug from the power source

and/or the battery pack from the power tool before making any adjustments, changing accessories, or storing power tools. Such preventive safety measures reduce the risk of starting the power tool accidentally.

Store idle power tools out of the reach of children and do not allow persons unfamiliar with the power tool or these instructions to operate the power tool. Power tools are dangerous in the hands of untrained users.

Maintain power tools. Check for misalignment or binding of moving parts, breakage of parts and any other condition that may affect the power tool's operation. If damaged, have the power tool repaired before use. Many accidents are caused by poorly maintained power tools.

Keep cutting tools sharp and clean. Properly maintained cutting tools with sharp cutting edges are less likely to bind and are easier to control.

Use the power tool, accessories and tool bits etc. in accordance with these instructions, taking into account the working conditions and the work to be performed. Use of the power tool for operations different from those intended could result in a hazardous situation.

Service

Have your power tool serviced by a qualified repair person using only identical replacement parts. This will ensure that the safety of the power tool is maintained.

Safety Rules for Routers

Hold power tool by insulated gripping surfaces, because the cutter may contact its own cord. Cutting a "live" wire may make exposed metal parts of the power tool "live" and shock the operator.

Use clamps or another practical way to secure and support the workpiece to a stable platform. Holding the work by your hand or against the body leaves it unstable and may lead to loss of control.

Always make sure the work surface is free from nails and other foreign objects. Cutting into a nail can cause the bit and the tool to jump and damage the bit.

Never hold the workpiece in one hand and the tool in the other hand when in use. Never place hands near or below cutting surface. Clamping the material and guiding the tool with both hands is safer.

Never lay workpiece on top of hard surfaces, like concrete, stone, etc... Protruding cutting bit may cause tool to jump.

Always wear safety goggles and dust mask. Use only in well ventilated area. Using personal safety devices and working in safe environment reduces risk of injury.

After changing the bits or making any adjustments, make sure the collet nut and any other adjustment devices are securely tightened. Loose adjustment device can unexpectedly shift, causing loss of control, loose rotating components will be violently thrown.

Never start the tool when the bit is engaged in the material. The bit cutting edge may grab the material causing loss of control of the cutter.

Always hold the tool with two hands during start-up. The reaction torque of the motor can cause the tool to twist.

When routing or cutting, the direction of feed with the bit's cutting edge into the material is very important. Always feed the bit into the material in the same direction as the cutting edge is exiting from the material (which is the same direction as the chips are thrown). NOTE: inside and outside cuts will require different feed direction, refer to section on feeding the router. Feeding the tool in the wrong direction causes the cutting edge of the bit to climb out of the work and pull the tool in the direction of this feed.

Never use dull or damaged bits. Sharp bits must be handled with care. Damaged bits can snap during use. Dull bits require more force to push the tool, possibly causing the bit to break.

Never touch the bit during or immediately after the use. After use the bit is too hot to be touched by bare hands.

Never lay the tool down until the motor has come to a complete standstill. The spinning bit can grab the surface and pull the tool out of your control.

Never use bits that have a cutting diameter greater than the opening in the base.

Additional Safety Warnings

GFCI and personal protection devices like electrician's rubber gloves and footwear will further enhance your personal safety.

Do not use AC only rated tools with a DC power supply. While the tool may appear to work, the electrical components of the AC rated tool are likely to fail and create a hazard to the operator.

Keep handles dry, clean and free from oil and grease. Slippery hands cannot safely control the power tool.

Develop a periodic maintenance schedule for your tool. When cleaning a tool be careful not to disassemble any portion of the tool since internal wires may be misplaced or pinched or safety guard return springs may be improperly mounted. Certain cleaning agents such as gasoline, carbon tetrachloride, ammonia, etc. may damage plastic parts.

Risk of injury to user. The power cord must only be serviced by a Bosch Factory Service Center or Authorized Bosch Service Station.

⚠ WARNING Some dust created by power sanding, sawing, grinding, drilling, and other construction activities contains chemicals known to cause cancer, birth defects or other reproductive harm. Some examples of these chemicals are:

- Lead from lead-based paints,
- Crystalline silica from bricks and cement and other masonry products, and
- Arsenic and chromium from chemically-treated lumber.

Your risk from these exposures varies, depending on how often you do this type of work. To reduce your exposure to these chemicals: work in a well ventilated area, and work with approved safety equipment, such as those dust masks that are specially designed to filter out microscopic particles.

Safety Rules for Router Table

Read and understand the tool manual and these instructions for the use of the table with your tool. Failure to follow all instructions listed below may result in serious personal injury.

Fully assemble and tighten all the fasteners required for the table and mounting the tool.

Do not use the router table until all assembly and installation steps have been completed. Also remember to occasionally check the stand and tool to make sure it is still tight. A loose stand is unstable and may shift in use and cause serious injury.

Make certain the tool is not plugged into a power outlet when installing into the table, making adjustments or changing bits. Accidental start-up of the tool can cause injury.

Do not plug router motor power cord into standard wall outlet instead it must be plugged into the router table switch. Power tool switches and controls need to be within your reach in emergency situations.

Before operating make sure the entire unit is placed on a solid, flat, level surface. Serious injury could occur if table with the tool is unstable and tips.

Be certain router motor is fully and securely clamped in the router base, periodically check the base fastener or clamping tightness. Adjustment devices must be securely tightened. Tighten as necessary as the tool can loosen from the base due to vibration and may drop or fall unexpectedly when positioned upside down in a table.

Do not use the router table without the overhead guard or auxiliary bit guard. The guards will aid in keeping your hands away from the bit in case of unintended contact with bit.

Never place your fingers under the guard or near the spinning bit. Never hold the workpiece on the out-feed side of bit. Pressing the workpiece against the out-feed side of the fence may cause material binding and possible kickback pulling your hand back into the bit.

Router bits are intended for wood, woodlike products and plastic e.g. Corian or laminates. Not for cutting or shaping metals. Be sure the workpiece does not contain nails, etc. before routing. Cutting a nail or the like will cause the carbides to be dislodged, fly toward the operator side, and possibly strike you or bystanders.

Match the appropriate bit and its speed to your application. Do not use bits that have a cutting diameter that exceeds the capacity of the tool. Overloading the tool can lead to personal injury or tool failure.

Position and securely clamp the router bit in the collet chuck before making any cuts. If the bit becomes loose during operation it may fly up and away from table possibly striking you or bystanders.

Never use dull or damaged bits. Sharp bits must be handled with care. Damaged bits can snap during use. Dull bits require more force to push the workpiece, possibly causing the bit to break or the material to kickback.

We do not recommend cutting material that is warped, wobbly or otherwise unstable. If the material is slightly curved but otherwise stable cut the material with the concave side against the table or fence. Cutting the material with the concave side up or away from table may cause the warped or wobbly material to roll; causing you to lose control, kickback and serious personal injury may result.

Never start the tool when the bit is engaged in the material. The bit cutting edge may grab the material causing loss of control of the workpiece.

Feed the workpiece against the rotation of the bit. The bit rotates counter-clockwise as viewed from the top of table. Feeding the work in the wrong direction will cause the workpiece to "climb" up on the bit pulling the workpiece and possibly your hands into the rotating bit.

Use push sticks, vertical and horizontally mounted feather boards (spring sticks) and other jigs to hold down the workpiece and

keep your hands away from the spinning bit. Router cuts are blind cuts but the bit still protrudes through the table and you must be aware of the position of your hands relative to the spinning bit.

Use of auxiliary in-feed and out-feed supports is strongly suggested for long or wide workpieces. Long workpieces can flip off the table or cause the table to tip over if not fully supported.

Use the adjustable fence in straight cutting applications. When routing along an entire edge of the workpiece the fence will help maintain stability.

Do not place material between router bit and the fence while routing the edge. This placement may cause the material to become wedged making kickback possible.

Piloted bits along with the starter pin are used when routing internal and external contours on the workpiece. Use the auxiliary bit guard when shaping material with the starter pin and piloted bits. The starter pin and bearing of the piloted bit assist in maintaining control of the workpiece.

Do not place material between piloted router bit and starter pin while shaping contours. This placement will cause the material to become wedged making kickback possible.




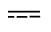
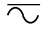

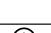





Never touch the bit during or immediately after the use. Contact with a spinning bit will cause injury and after use the bit is too hot to be touched by bare hands.

Do not use the table as workbench or worksurface. The table is not intended to be used as a workbench or work surface other than for routing material. Using it for purposes other than routing may cause damage and make it unsafe to use in routing.

Never stand on the table or use as ladder or scaffolding. Serious injury could occur if the table is tipped or the cutting tool is accidentally contacted. Do not store materials on or near the table such that it is necessary to stand on the table or its stand to reach them.

Symbols

IMPORTANT: Some of the following symbols may be used on your tool. Please study them and learn their meaning. Proper interpretation of these symbols will allow you to operate the tool better and safer.

Symbol	Name	Designation/Explanation
V	Volts	Voltage (potential)
A	Amperes	Current
Hz	Hertz	Frequency (cycles per second)
W	Watt	Power
kg	Kilograms	Weight
min	Minutes	Time
s	Seconds	Time
∅	Diameter	Size of drill bits, grinding wheels, etc.
n ₀	No load speed	Rotational speed, at no load
n	Rated speed	Maximum attainable speed
.../min	Revolutions or reciprocation per minute	Revolutions, strokes, surface speed, orbits etc. per minute
0	Off position	Zero speed, zero torque...
1, 2, 3, ... I, II, III,	Selector settings	Speed, torque or position settings. Higher number means greater speed
	Infinitely variable selector with off	Speed is increasing from 0 setting
	Arrow	Action in the direction of arrow
	Alternating current	Type or a characteristic of current
	Direct current	Type or a characteristic of current
	Alternating or direct current	Type or a characteristic of current
	Class II construction	Designates Double Insulated Construction tools.
	Earthing terminal	Grounding terminal
	Warning symbol	Alerts user to warning messages
	Li-ion RBRC seal	Designates Li-ion battery recycling program
	Ni-Cad RBRC seal	Designates Ni-Cad battery recycling program
	Read manual symbol	Alerts user to read manual
	Wear eye protection symbol	Alerts user to wear eye protection

Symbols (continued)

IMPORTANT: Some of the following symbols may be used on your tool. Please study them and learn their meaning. Proper interpretation of these symbols will allow you to operate the tool better and safer.



This symbol designates that this tool is listed by Underwriters Laboratories.



This symbol designates that this tool is recognized by Underwriters Laboratories.



This symbol designates that this tool is listed by Underwriters Laboratories, to United States and Canadian Standards.



This symbol designates that this tool is listed by the Canadian Standards Association.



This symbol designates that this tool is listed by the Canadian Standards Association, to United States and Canadian Standards.



This symbol designates that this tool is listed by the Intertek Testing Services, to United States and Canadian Standards.



This symbol designates that this tool complies to NOM Mexican Standards.

Functional Description and Specifications

WARNING Disconnect the plug from the power source before making any assembly, adjustments or changing accessories. Such preventive safety measures reduce the risk of starting the tool accidentally.

MRF23EVS Fixed Base Router

FIG. 1

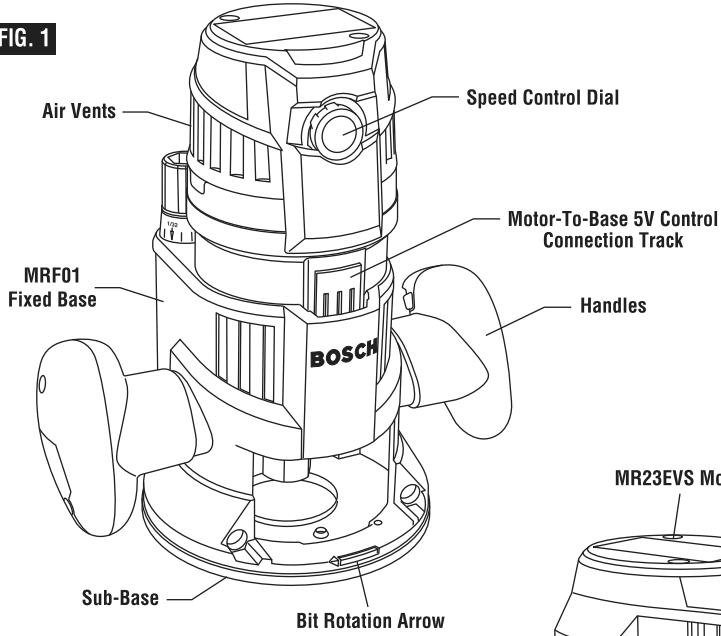
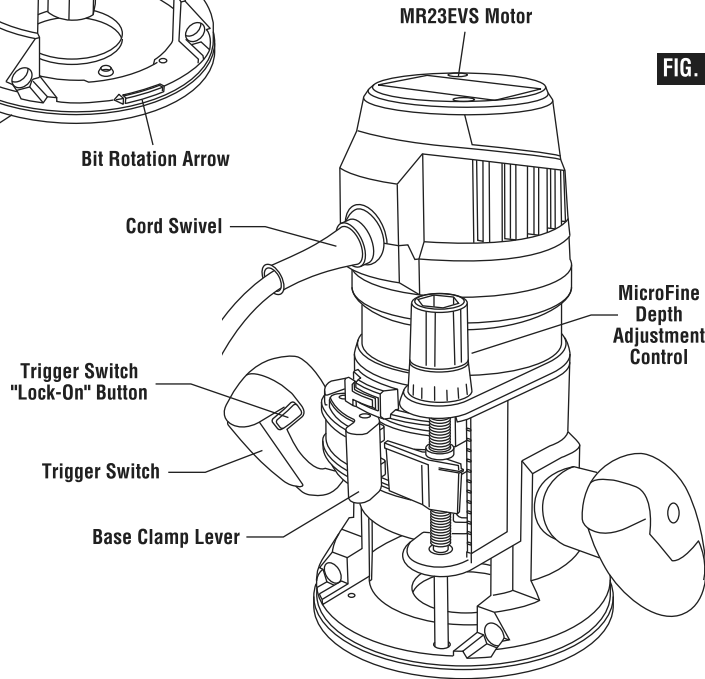


FIG. 2



NOTE: For tool specifications refer to the nameplate on your tool.

Functional Description and Specifications

WARNING Disconnect the plug from the power source before making any assembly, adjustments or changing accessories. Such preventive safety measures reduce the risk of starting the tool accidentally.

MRP23EVS Plunge Router

FIG. 3

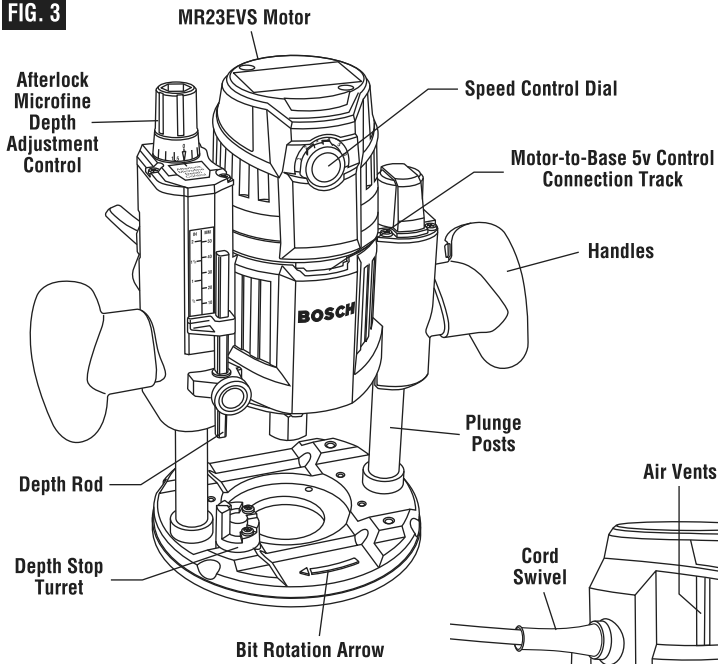
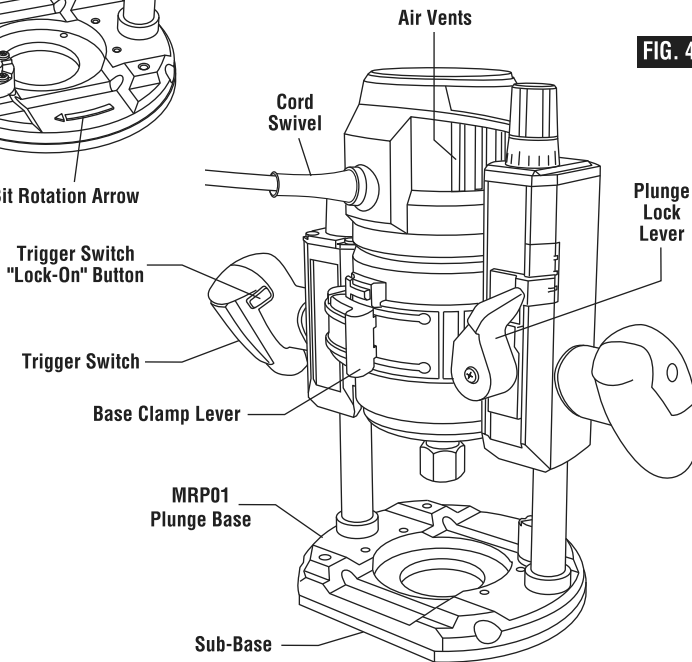


FIG. 4



NOTE: For tool specifications refer to the nameplate on your tool.

Assembly & Adjustments

INSTALLING A ROUTER BIT

A wide assortment of router bits with different profiles is available separately. Use 1/2" shank whenever possible, and only use good quality bits.

⚠ WARNING To prevent personal injury, always remove the plug from power source before removing or installing bits or accessories.

Place router upside down or lay router on its side with the base resting on the bench. Another option is to remove the motor from the base before installing the bit.

NOTE: The bit shank and collet chuck should be clean and free of dust, wood, residue and grease before assembling.

1. Hold the armature shaft in place with the shaft wrench (Fig. 5).
2. Next, use the collet wrench to loosen the collet chuck assembly in counter-clockwise direction (viewed from under the router).
3. Insert the shank of the router bit into the collet chuck assembly as far as it will go, then back the shank out until the cutters are approximately 1/8" to 1/4" away from the collet nut face. **To ensure proper gripping of the router bit and minimize run-out, the shank of the router bit must be inserted at least 5/8" (16 mm).**
4. With the router bit inserted and the shaft wrench holding the armature shaft, use the collet wrench to firmly tighten the collet chuck assembly in a clockwise direction (viewed from under the router).

⚠ WARNING Cutter diameter must be at least 1/4" (6.35 mm) smaller than opening in subbase and/or base for the bit and cutter.

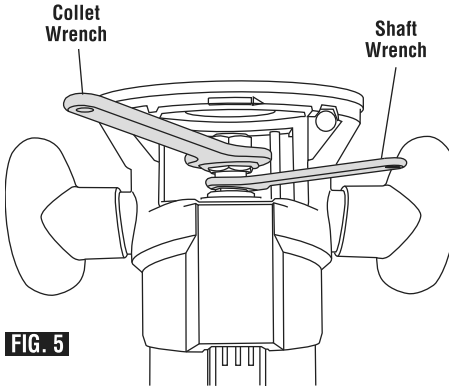


FIG. 5

⚠ WARNING When using a templet guide, do not use a router bit with cutter that exceeds the maximum recommended size (See page 22).

⚠ CAUTION To prevent damage to tool, do not tighten collet without a bit.

⚠ WARNING Always be sure the collet chuck is tightened securely before use.

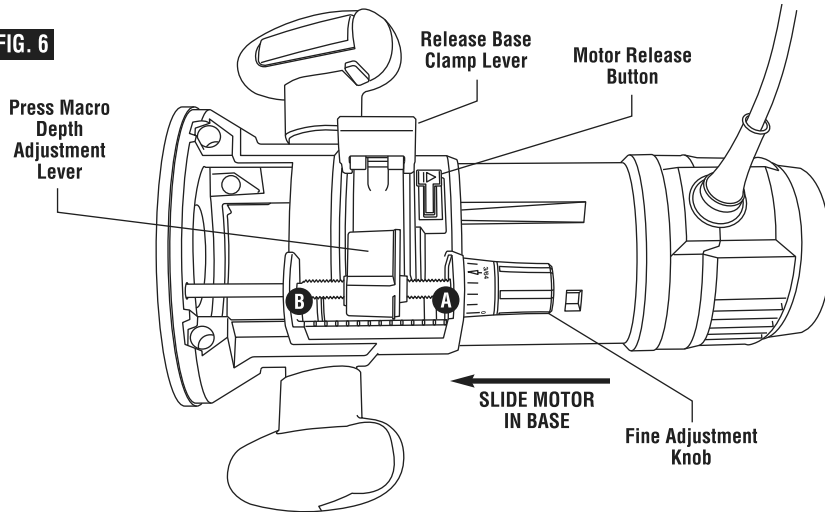
REMOVING A ROUTER BIT

1. Use the shaft and collet chuck wrenches as described earlier, and turn the collet chuck assembly in a counter-clockwise direction.
2. Once the collet chuck assembly is loosened continue to turn the collet chuck assembly until it pulls the collet free from its taper, and the router bit can be removed.

NOTE: The collet chuck is self-extracting; it is NOT necessary to strike the collet chuck to free the router bit.

MRF01 Fixed Base Preparation

FIG. 6



INSTALLING MOTOR IN FIXED BASE

1. Release the base clamp lever.
2. Line up the MOTOR-TO-BASE 5V CONTROL CONNECTION TRACK with the slot in the fixed base and slide the motor into the carriage.
3. Motor will first slide past the base's motor release button catch.
4. While holding down the macro depth adjustment lever, push the motor into the base until it reaches the approximate desired depth.
5. Release the macro depth adjustment lever and slide the motor forward or back as needed until the macro adjustment system's "catch" springs into the macro adjustment detent notch.
6. Set final height position as described in FIXED BASE DEPTH ADJUSTMENT.
7. After making depth adjustments, re-clamp the motor by pressing base clamp lever into closed position.

REMOVING MOTOR FROM FIXED BASE

1. Hold router in horizontal position, open base clamp lever.
2. Press and hold macro depth adjustment lever and gently pull motor outward
3. Press secondary motor-release button and pull motor out of fixed base.

FIXED BASE DEPTH ADJUSTMENT

The MRF01 Fixed Base is equipped with a true micrometer type fine adjustment mechanism, which can be used in any position and provides precise adjustment of the router bit position for unmatched accuracy. When the tool is lowered to the approximate position desired, this device may be adjusted to precisely set the final bit position.

This base also features three horizontal notches on both sides of the motor housing for coarse adjustments. The notches are spaced 1/2" apart which allows you to quickly lower or raise the tool depth in three 1/2" increments. (Approximately 12.7 mm), by simply depressing the coarse adjustment release lever.

TO ADJUST DEPTH

NOTE: All depth adjustments must be made with the base clamp lever released.

1. Open the base clamp lever to release the motor.
2. **MACRO DEPTH ADJUSTMENT:**
To make a large depth adjustment, depress macro adjustment release lever and raise or lower the motor to the approximate desired depth until it engages in the closest notch. There are three notches in the motor housing which are spaced 1/2" to facilitate this adjustment.

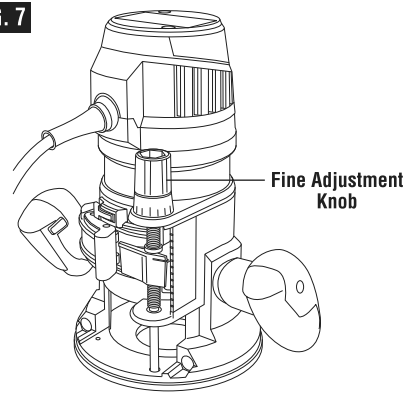
3. FINE DEPTH ADJUSTMENT:

To use the fine adjustment feature, turn the fine adjustment knob clockwise to lower the router bit or counter-clockwise to raise it.

4. After making depth adjustments, re-clamp the motor.

NOTES:

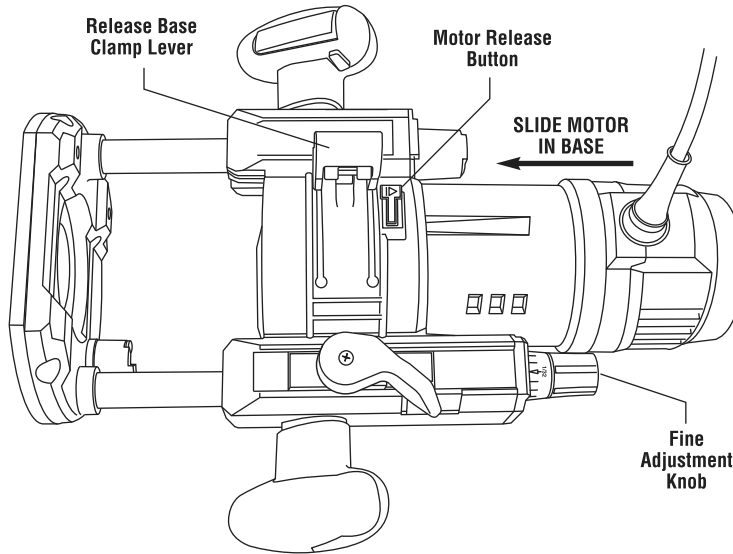
- Be sure macro adjustment lever is engaged in one of the macro adjustment notches before making a fine adjustment.
- To prevent damage to tool, avoid wedging the macro adjustment lever against the upper A or lower B portion of the housing as shown in figure 6.
- If the macro adjustment lever is engaged in the notch closest to the collet, the entire depth range can be accessed using fine depth adjustment alone. This makes it unnecessary to use macro depth adjustment, which is particularly helpful when using the router in a router table.
- When the router is installed in a router table, it can be adjusted with a 1/8" hex wrench, not included with all models. (See page 22).
- To allow precise settings, the indicator ring is graduated in English and Metric increments, and each line is equal to .004" or 1/10 mm.

FIG. 7

- One full turn of fine adjustment knob = 1/16" or approximately 1.5 mm. The fine adjustment mechanism has a total adjustment range of 1-9/16" (40 mm).
- The indicator ring may be reset to zero without moving the fine adjustment knob, to allow the user to begin the adjustment from any reference point desired.

MRP01 Plunge Base Preparation

FIG. 8



INSTALLING MOTOR IN PLUNGE BASE

1. Release the base clamp lever.
2. Line up the MOTOR-TO-BASE 5V CONTROL CONNECTION TRACK with the slot in the plunge motor carriage and slide the motor all the way into the carriage.
3. Motor will first slide past the base's motor release button catch.
4. Re-clamp the motor by pressing base clamp lever into closed position.

depth, and release pressure on lever to lock (Fig. 9).

The plunge lock lever is spring loaded and returns automatically to the locked position.

To raise the router:

Push plunge lock lever to the left, release pressure on router and the router will automatically retract the bit from the workpiece.

It is advisable to retract the bit whenever it is not engaged in workpiece.

REMOVING MOTOR FROM PLUNGE BASE

4. Hold router in horizontal position, open base clamp lever, and pull motor upwards until it stops.
5. Press secondary motor-release button and pull motor out of plunge motor carriage.

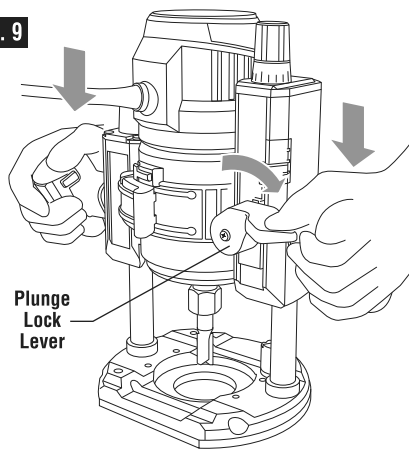
PLUNGE BASE DEPTH ADJUSTMENT BASE PLUNGING ACTION

The MRP01 plunge feature simplifies depth adjustments and will allow the cutting bit to easily and accurately enter the workpiece.

To lower the router:

Push plunge lock lever to the left, apply downward pressure until you reach desired

FIG. 9



DEPTH ROD AND TURRET

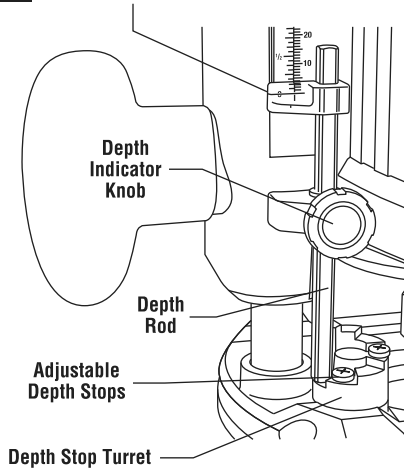
The depth rod and the depth stop turret are used to control cutting depth as follows;

1. With the bit installed, gently lower the motor until the tip of the router bit just contacts the level surface the router is sitting on. This is the "zero" position, from which further depth adjustments can be accurately made.
2. To set a desired depth of cut, rotate depth stop turret until the lowest step is aligned with the depth rod. Loosen depth indicator knob and lower the depth rod until it contacts the lowest step of the turret. Slide the depth indicator until the red line indicates zero on the depth scale, indicating the point at which the bit just contacts the work (Fig. 10).
3. To set a desired cutting depth, slide the depth rod up until the red depth indicator line attains the desired cutting depth, and secure the rod in position by firmly tightening the depth indicator knob.
4. The desired depth of cut may now be achieved by plunging the router until the depth rod contacts the selected stop on the turret.

ALTERNATE SET-UP FOR DEPTH ROD AND TURRET

1. An alternative to place a jig of the desired routing depth (such as a hinge which needs to be mortised) on the bottom step of the turret.
2. Next, lower the depth rod until it contacts the jig.
3. Secure the rod in position by firmly tightening the depth indicator knob.
4. Finally, remove the jig.

FIG. 10 Depth Indicator



DEEP CUTS

For deeper cuts, make several progressively deeper cuts by starting with the highest step on the depth turret, and after each cut, rotate the depth turret to progressively lower steps as desired, until the final depth (lowest step or flat) is reached. Steps progress by 1/8" increments.

The two adjustment screws are provided to allow depth increments of other than 1/8", which allows you to easily repeat multiple pass operations that have a total depth that is not a multiple of 1/8"

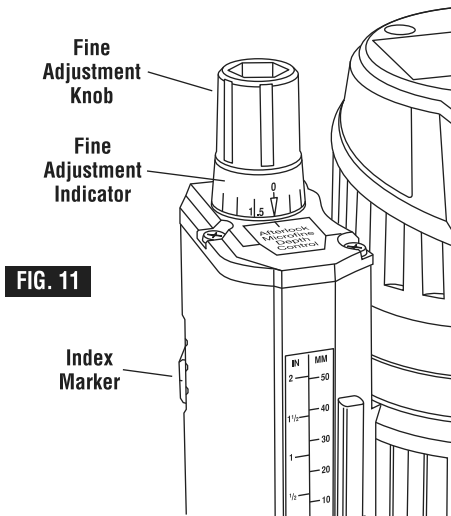
MRP01 Plunge Base Preparation

AFTERLOCK FINE ADJUSTMENT

The MRP01 is equipped with a true micrometer-type fine adjustment mechanism, which can be used after the plunge lock has been set at any plunge position and provides precise adjustment of the router bit position for unmatched accuracy. When the tool is plunged to the approximate position desired, this device may be adjusted to precisely set the final bit position (Fig. 11).

- To use the fine adjustment, turn the fine adjustment knob clockwise to lower the router bit or counter-clockwise to raise it.
- To allow precise settings, the indicator ring is graduated in Imperial and Metric increments, each line is equal to .004" or 1/10 mm.
- One full turn of fine adjustment knob = 1/16" or approximately 1.5 mm
- The fine adjustment indicator may be reset to zero without moving the fine adjustment knob, to allow the user to begin the adjustment from any reference point desired.
- The fine adjustment mechanism has a total adjustment range of 5/8" (16 mm), which is indicated by the index marker on the back of the housing.
- Whenever the fine adjustment is used, be certain that the index marker is positioned between the two lines to ensure enough travel in the desired direction after the router is plunged into position.
- Note that when the router is plunged to maximum depth or is fully retracted to the top of the posts, the fine adjustment knob cannot move the motor further down or up, as the full extension of travel has been reached.
- Similarly, the fine adjustment knob cannot lower the bit when the depth rod is tightened against the depth turret.

To be certain that your depth settings are as desired, you may want to make test cuts in scrap material before beginning work.



Operating Instructions

PLUGGING THE MOTOR INTO THE OUTLET / LED LIGHTS

Whenever the motor is plugged in and receiving power, the LEDs at bottom of the motor light up. The LEDs enhance the visibility of the work area when setting the depth and/or starting location, as well as when routing. Note that the motor cannot be turned on when not installed in a Bosch MR-Series router base.

⚠ WARNING The motor should always be unplugged when it is necessary to reach into the bit area or make adjustments in the bit area, such as when changing bits, templet guides and/or centering the subbase, for examples.

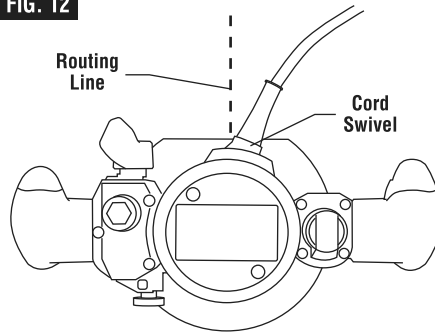
ELECTRONIC VARIABLE SPEED CONTROL

The electronic speed control feature allows motor speed to be matched to cutter size and material hardness for improved finish, extended bit life, and higher performance. Speed changes are achieved by rotating Control Dial RIGHT to increase speed, LEFT to decrease as indicated on housing (Fig. 1). Speed may be changed while tool is on. The reference numbers on the dial facilitate re-setting control to desired speed.

The speed chart indicates the relationship between settings and application, exact settings are determined by operator experience and preference. The bit manufacturer may also have a speed recommendation.

DIAL SETTING	RPM	APPLICATION
1	10,000	Hardwoods, nonferrous metals, larger diameter bits and cutters
2	13,000	
3	16,000	
4	19,000	Softwoods, plastics, counter tops, smaller diameter bits and cutters
5	22,000	
6	25,000	

FIG. 12



CORD SWIVEL

The power cord features a ball-joint swivel to provide more flexibility in positioning the power cord. It is mounted off of center on the rear of the tool in order to minimize the number of situations where the cord is directly over an intended routing line.

SOFT START FEATURE

Electronic feedback control minimizes torque twist customary in larger routers by limiting the speed at which motor starts.

CONSTANT RESPONSE™ CIRCUITRY

The router's Tachometer-Feedback Constant Response™ Circuitry monitors and adjusts power to maintain the desired RPM for consistent performance and control.

Operating Instructions

BOSCH-EXCLUSIVE MODULAR ROUTER “TRIGGER CONTROL” ON/OFF SWITCH(ES)

Your Bosch MR23EVS Modular Router System's bases feature the Bosch-exclusive router “Trigger Control System”, which is unlike any that of any other professional modular router system.

Rather than having to stretch your hand to a toggle switch up high on the router motor, the Bosch Trigger Control System allows you to switch the router on and off in using a trigger switch in the base's handle --- a familiar switch type and location that is used on almost every other type of power tool. Not only is the trigger switch present on the plunge base, but also in the fixed base, thanks to a sliding motor-to-base electrical contact system

Moreover, the Bosch Trigger Control System's patented electronic interface between the motor and base is low voltage (only 5V DC, similar to common batteries) and internal, eliminating the need for external motor-to-base cables that could get in the way.

Another advantage of the Bosch router Trigger Control System is its “Smart Base Sensing System” that features the following behaviors:

- **Base Required for Operation** – The motor cannot be activated unless installed in one of the Bosch MR23EVS series Router Bases
- **Motor Won't Activate During Installation** - The motor cannot be accidentally turned on by inserting a base that has the trigger already pulled back, (with or without the lock-button engaged).
- **Activation by Router Table Switch** – Standard recommended industry practice for use of routers in router tables is that the router's power cord be plugged into an outlet on a switch assembly of the front of the router and the router be switched on and locked on. The router is then turned on and off using the router table switch. The MR23EVS router series is designed to accommodate this practice.

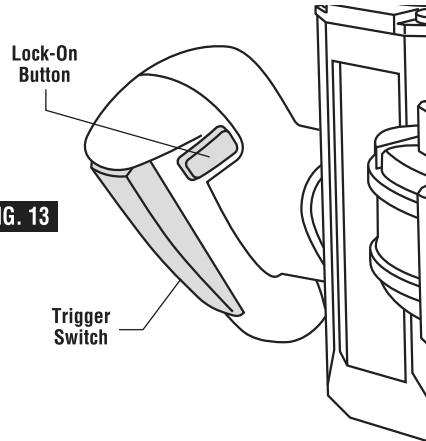


FIG. 13

⚠ WARNING

- **If the MR23EVS motor is already installed in one of its bases and**
- **If the trigger is engaged (with or without the lock-button engaged),**
- **And the cord is then plugged into a live outlet, the router turns on.**

Never connect the router into a “live” outlet (unless properly installed in a router table) while engaging the trigger (with or without the lock-button engaged), because the router will immediately turn on.

TO TURN THE TOOL “ON”: Simply pull the trigger switch in the right handle.

TO TURN THE TOOL “OFF”: Simply release the trigger switch.

Your router is also equipped with a Lock-ON button located just above the trigger that allows continuous operation without holding the trigger.

TO LOCK THE SWITCH ON: Squeeze trigger fully, depress button and release trigger.

TO UNLOCK THE SWITCH: Squeeze trigger and release it without depressing the Lock-ON button.

⚠ WARNING **If the Lock-ON button is continuously being depressed, the trigger cannot be released.**

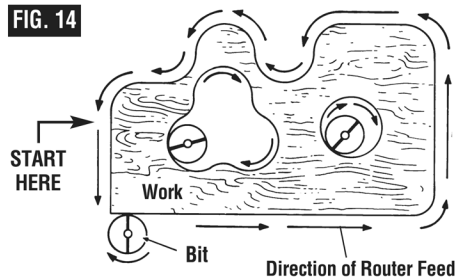
ENTERING THE WORKPIECE

For best control and results, always allow the router to complete its soft-start ramp up to the speed set (as set using the speed dial) before bringing the bit cutter into contact with workpiece.

Operating in this manner will prolong switch and motor life and will greatly increase the quality of your work.

FEEDING THE ROUTER

As seen from the top of the router, the bit turns clockwise and the cutting edges face accordingly. Therefore, the most efficient cut is made by feeding the router so that the bit turns into the work, not away. Figure 14 shows proper feed for various cuts.



FEED RATE

The proper feed rate depends on the hardness of the material and the size of the cut. The best results are achieved when the depth of cut and feed rate allow the motor to operate at the proper speed. Feed the router at a moderate rate. Feed smoothly and steadily (do not force). You will soon learn how the router sounds and feels when it is working best.

ROUTING TIPS

- Always use router bits with the shortest cutting length necessary to produce the desired cut. This will minimize router bit chatter.
- Always be sure the collet chuck is tightened securely before use.
- Soft materials require a faster feed rate than hard materials.
- The router may stall if improperly used or overloaded.

- Reduce the feed rate to prevent possible damage to the tool.
- To be certain that your depth and speed settings provide the desired results, test the settings by routing some scrap material before routing the actual workpiece.
- If the router is hard to control, heats up, runs very slowly or leaves an imperfect cut, consider these causes:
 1. Wrong direction of feed — hard to control.
 2. Feeding too fast — overloads motor.
 3. Dull bit — overloads motor.
 4. Cut is too large for one pass — overloads motor.
 5. Feeding too slow — leaves friction burns on work.

When routing deep cuts, it is best to make multiple progressively deeper cuts rather than trying to rout the full depth in one pass. The appropriate depth of cut will depend on the type of material and the type of cutter being used. The MRP01 Plunge Base and its multiple-step turret is ideally suited for multiple-pass routing situations. (See “**PLUNGE BASE DEPTH ADJUSTMENT**” section.)

EXITING THE WORKPIECE

For best control and results, always move the router so that the bit cutter exits from the workpiece before switching off the router.

Operating in this manner will prolong switch and motor life and will greatly increase the quality of your work.

OVERLOAD PROTECTION

In the unlikely event that the motor becomes overloaded, it will stop automatically. To restart, release the on/off switch, then unplug the cord and plug back into the power source, then start the tool in the normal manner. (When the router is mounted in a router table and connected to the table's switch, and the lock-on button is engaged, restart can be achieved by simply turning the table's switch off and then on again.)

Allow the motor to cool down for 30 seconds by running with no load. If the overload protection stops the tool repeatedly, excessive force is causing the tool to overload. Don't push so hard and let the tool do the work.

Guiding the Router

The router can be guided through the work in any of several ways. The method you use depends, of course, on the demands of the particular job and on convenience.

Many edge-forming router operations can be done using bits that have bearings.

For routing operations such as grooving or dadoing, it is often necessary to guide the tool in a line parallel to a straight edge. One method of obtaining a straight cut is to securely clamp a board or other straightedge to the work surface, and guide the edge of the router sub-base along this path (Fig. 15).

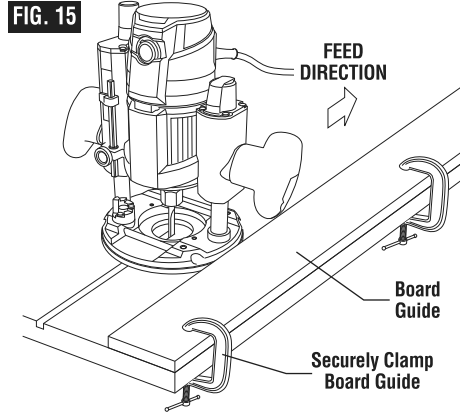


FIG. 15

DELUXE ROUTER GUIDE

The Bosch deluxe router guide is an optional accessory that will guide the router parallel to a straight edge or allow you to create circles and arcs.

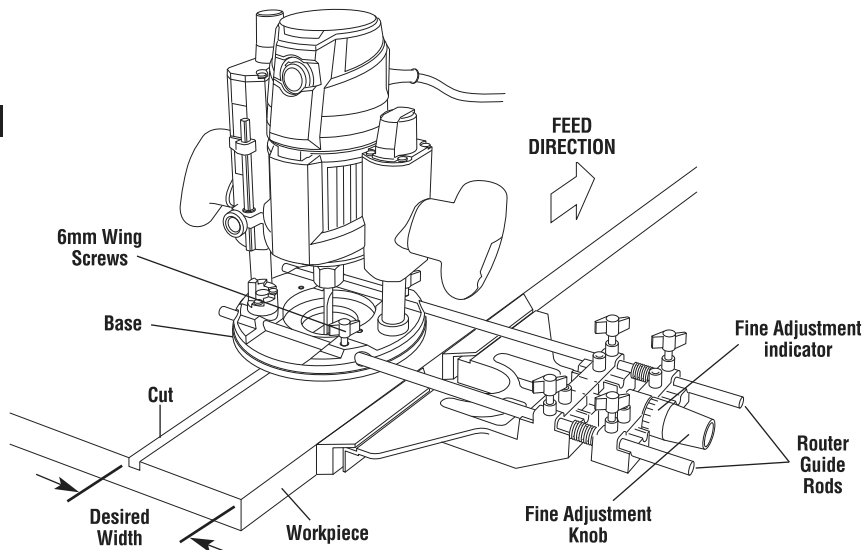
The deluxe router guide is supplied with two rods and screws to fasten the guide (Fig. 16). In addition, it features a fine adjustment knob and indicator for accurately positioning the edge guide relative to the bit. With the guide installed and adjusted, the router should be

fed normally, keeping the guide in contact with the edge of the workpiece at all times. The deluxe router guide may also be positioned directly under the router base for operations where a cut is needed close to or at the edge of the work.

The deluxe router guide includes a dust extraction hood and the VAC002 vacuum hose adapter.

For complete instructions on installation and operation, please refer to the instructions which are included with this accessory.

FIG. 16

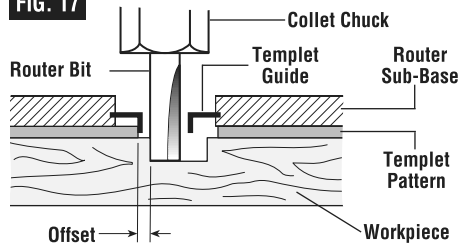


TEMPLER GUIDES

This router can also be used with the optional Bosch-exclusive quick-change templet guide system, which firmly grips the guides with a spring-loaded ring. Unlike conventional threaded templet guides, there is no threaded ring that can come loose while routing.

Templet guides are used with a number of special accessories, such as hinge templets, which are listed in your BOSCH catalog. In addition, special templets are easily prepared for cutting repeated patterns, special designs, inlays, and other applications. A templet pattern may be made of plywood, hardboard, metal or even plastic, and the design can be cut with a router, jigsaw, or other suitable cutting tool. Remember that the pattern will have to be made to

FIG. 17



compensate for the distance between the router bit and the templet guide (the "offset"), as the final workpiece will differ in size from the templet pattern by that amount, due to the bit position (Fig. 17).

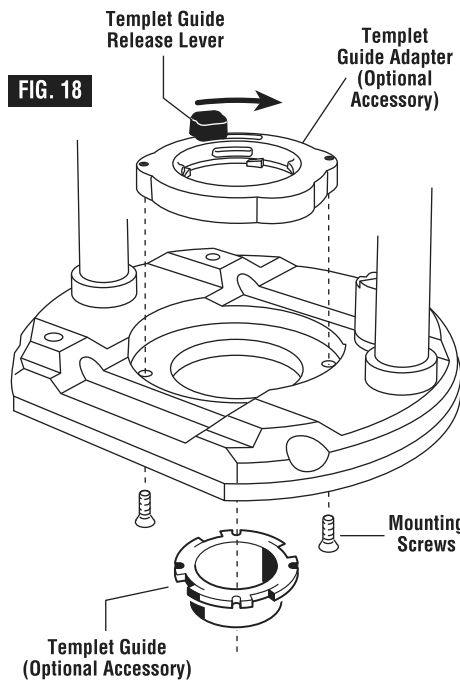
INSTALLING TEMPLER GUIDE ADAPTER (Optional Accessory)

Place templet guide adapter over the holes in the center of the sub-base, and align the two threaded holes in the bottom of adapter with the countersunk holes in sub-base. Fasten adapter with the screws provided. Note that the adapter is reversible, so the release lever may be positioned as desired. (Fig. 18)

To insert or change a templet guide:

1. Retract the templet guide release lever.
2. Align the cutaways on the templet guide with the tabs on the bottom of the templet guide adapter.
3. Insert the templet guide.
4. Release the lever to grip the templet guide in place.

FIG. 18



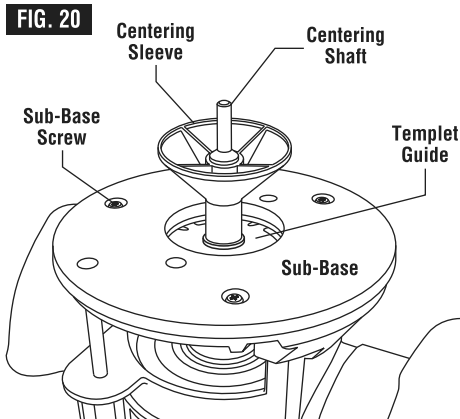
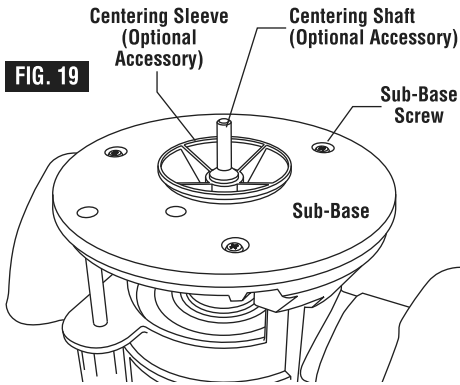
CENTERING THE SUB-BASE OR TEMPLER GUIDES

Your router features the Bosch "Precision Centering Design". Its sub-base is precisely centered at the factory. This positions the bit at the center of the sub-base and optional templet guides.

Precision centering allows you to use the edge of the subbase or templet guides to closely follow jigs such as straight guides, templates, and dovetail fixtures without worrying about bit walk-off from the intended cut line for any reason, including the orientation of the router's handles relative to the jig.

To most precisely re-center the sub-base or templet guides, attach the sub-base using the optional Bosch RA1151 Centering Device. Follow steps 1-8 (Fig. 19 & 20).

1. If a templet guide is to be centered, install the templet guide adapter and template guide (optional attachments) as described elsewhere in this manual.
2. Position the sub-base so that its pan-head screw holes are over the matching set of threaded holes in the base.
3. Insert the pan-head screws through the sub-base and tighten them until they are snug, but still allow the sub-base to move.
4. Prepare the Centering Device:
 - Use narrow end of steel shaft when inserting into 1/4" collet, wider end of cone when inserting into 1/2" collet.
 - When centering subbase or templet guide that has opening of more than 1/2", slide the wide plastic sleeve over the steel shaft.
5. Slide centering sleeve through the sub-base or templet guide and into collet. Tighten collet nut with fingers to put slight grip on centering cone.
6. Lightly press centering sleeve into sub-base or templet guide to center.
7. Tighten the pan-head screws. Remove centering sleeve.
8. The precision centering of the sub-base or templet guide is complete.



**MAXIMUM BIT/CUTTER SIZE FOR
TEMPLER GUIDES**

When using a templet guide, use only router bit with cutters that are 1/16" less than the internal diameter of the templet guide, such as in the table below.

**USE WITH THREADED
TEMPLER GUIDES**

Also available as an optional accessory is an additional adapter, the RA1100, that allows use of conventional threaded templet guides with the Bosch quick-release system.

Bosch Templet Guide	Bushing Depth	External Diameter	Internal Diameter	Max Bit/Cutter Diameter
	A	B	B	
RA1101	3/16"	5/16"	1/4"	3/16"
RA1103	9/64"	5/16"	17/64"	13/64"
RA1105	9/64"	7/16"	3/8"	5/16"
RA1107	5/16"	7/16"	3/8"	5/16"
RA1109	7/16"	1/2"	13/32"	11/32"
RA1111	3/16"	5/8"	17/32"	15/32"
RA1113	1/2"	5/8"	17/32"	15/32"
RA1115	3/16"	3/4"	21/32"	19/32"
RA1117	31/64"	13/16"	5/8"	9/16"
RA1119	31/64"	1"	25/32"	21/32"
RA1121	7/16"	1-3/8"	1-19/64"	1-15/64"

Use in Router Table

Your router can also be used in a router table. The MR001 fixed base is designed to allow easy depth adjustment in a table.

CAUTION The MRP01 Plunge Base is not recommended for use in a router table. Damage to plunge router base may occur.

To eliminate the hassle of installing your router's own base on the router table and later having to convert it back for non-table use, Bosch offers additional MRF01 Fixed Bases separately so that one base can be permanently attached to your router table, leaving your other fixed base available for non-table use.

**ATTACHING BASE TO
MOUNTING PLATE**

Attach the MRF01 to the router table's mounting plate using the three M4 holes screws provided. The 3-hole pattern on the bottom of the base follows the industry-standard three-hole pattern for professional routers. Depending on the thickness of your router table or router table mounting plate, you may need to purchase longer M4 screws with tapered heads (Fig. 21).

If your router table mounting plate does not have countersunk holes in either of those patterns, you will need to determine the hole locations, drill and countersink them, also locate and drill a hole for the over-table adjustment wrench.

Use in Router Table

CONNECT THE ROUTER AND THE ROUTER TABLE SWITCH

To prepare for use of the switch:

1. Make sure the router table's switch and the router table switch are both turned off.
2. Plug the router table switch cord to wall outlet.
3. Plug the router into the "pigtail" socket on the router table switch.
4. Lock router switch on: squeeze trigger, depress lock-on button, and release trigger.
5. Use the router table switch to start and stop the router.

DEPTH ADJUSTMENT

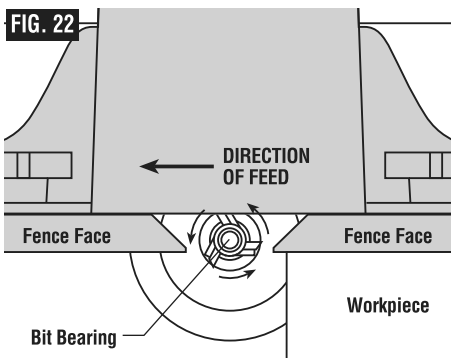
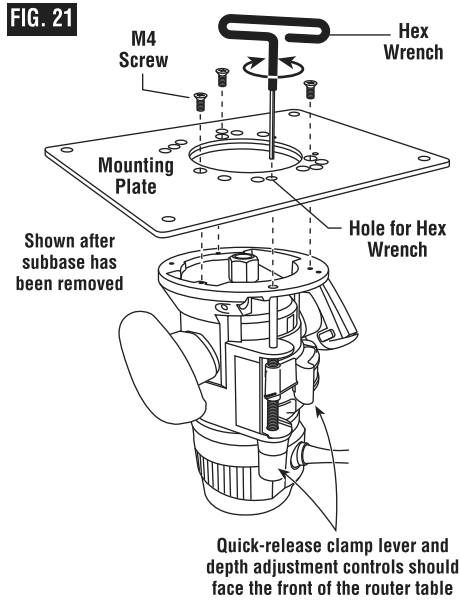
(See pages 11 & 12)

FEEDING THE WORKPIECE ON A ROUTER TABLE

Always use your router table's fence or starter pin and the appropriate guard and follow the router table's instruction manual. ALWAYS feed the workpiece from right to left across the front of the bit. On Bosch router tables, the correct feed direction is also shown on fence housing and on the featherboards, when they have been properly installed. (Fig. 22)

Whenever possible, when using the fence, use a push stick to push the workpiece, especially when working with narrow pieces.

For complete instructions on operation of a router in a router table, please refer to the instructions that come with the router table.



TOP VIEW

NOTE: For clarity, guard and featherboard removed from drawing.

Router Dust Extraction

⚠ WARNING Read and understand these instructions and tool manual for use of these accessories.

Do not reach in area of the bit while the router is ON or plugged in as indicated by LEDS being on).

⚠ CAUTION To avoid entangling hoses, do not use this dust extraction hood at the same time as any other dust extraction hood.

PLUNGE BASE DUST EXTRACTION

This dust extraction hood is designed for use in the plunge base (MRP001) when routing is done in the middle of the workpiece, such as when creating slots or routing patterns for inlays. If you have a shop vacuum system, you can attach the dust extraction hood for improved visibility, accuracy and utility, particularly in freehand routing.

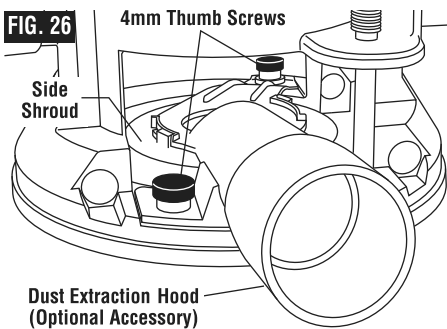
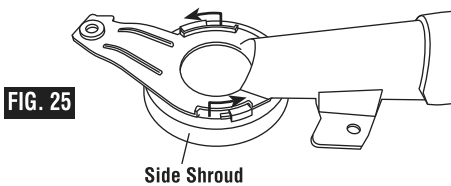
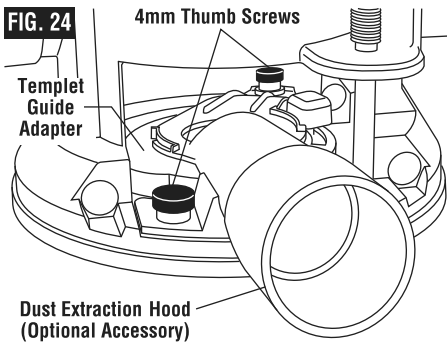
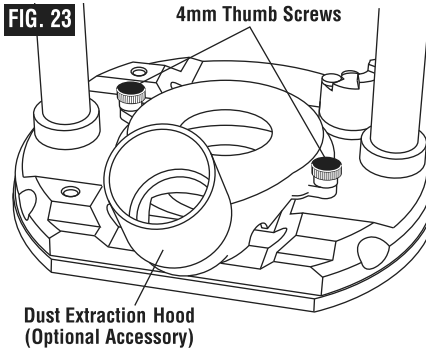
To attach, position as shown and secure adapter to base with the thumbscrews provided (Fig. 23).

The dust extraction hood can also be installed with the hose outlet facing the front of the tool.

FIXED BASE DUST EXTRACTION

This dust extraction hood is designed for use with the MRF001 fixed base. It is installed differently depending on whether or not the optional templet guide adapter is installed.

- If templet guide adapter is installed, position port-and-cover piece as shown and secure to base with the thumbscrews provided (Fig. 24).
- If no templet guide adapter is installed, first attach the side shroud by rotating it onto the bottom of the port-and-cover piece (Fig. 25). Then position the hood assembly as shown and secure to base with the thumbscrews provided (Fig. 26).
- The fixed base dust extraction hood can also be installed with the hose outlet facing the front of the tool.

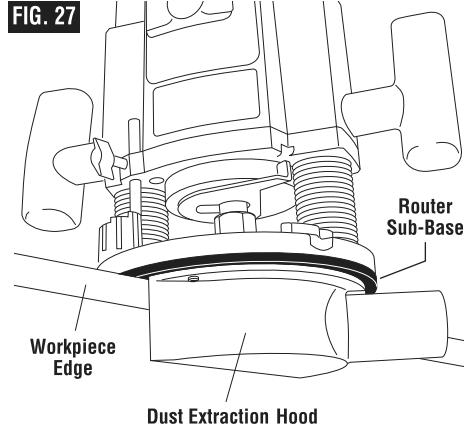


Router Dust Extraction

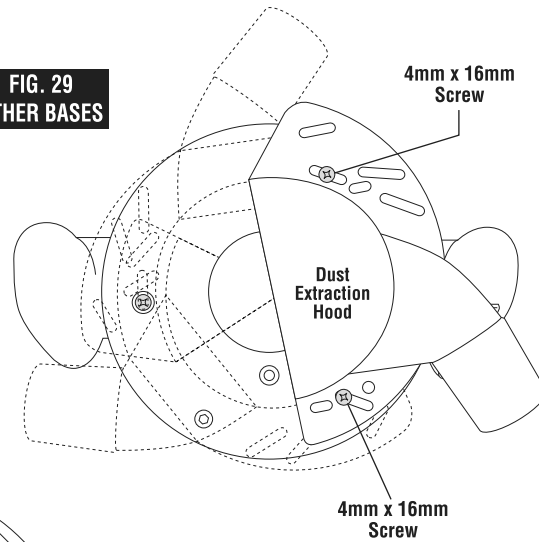
EDGEFORMING DUST EXTRACTION

This dust extraction hood (optional accessory) is used for dust collection when edge-forming

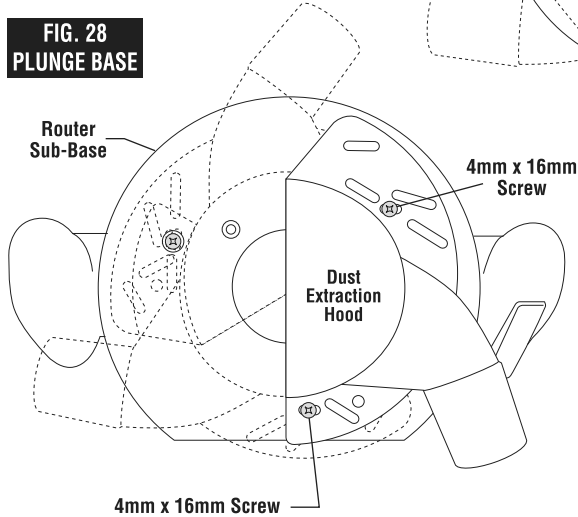
You can attach the edge-forming hood in several places according to your needs or preferences. This hood is attached using two of the screw holes on the router base that are used to attach the router's sub-base. Choose the desired location for the hood. Loosen and take out the two screws from the router base and attach the dust extraction hood — over the router's sub-base — using the screws provided with the hood. Securely tighten the screws.



**FIG. 29
OTHER BASES**



**FIG. 28
PLUNGE BASE**



Maintenance

Service

⚠ WARNING Preventive maintenance performed by unauthorized personnel may result in misplacing of internal wires and components which could cause serious hazard. We recommend that all tool service be performed by a Bosch Factory Service Center or Authorized Bosch Service Station.

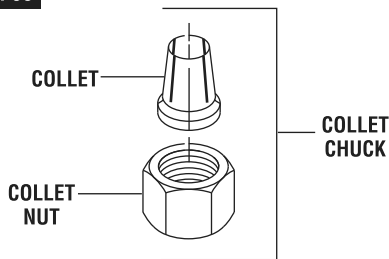
BASE CLAMP

If additional clamping force is desired: use a 2.5 mm Allen wrench and turn the set screw clockwise SLIGHTLY (1/8 turn or less), then test clamp. Do not over-tighten.

COLLET CHUCK CARE

With the router bit removed, continue to turn the collet chuck counter-clockwise until it is free of the shaft. To assure a firm grip, occasionally blow out the collet chuck with compressed air, and clean the taper in the armature assembly shaft with a tissue or fine brush. The collet chuck is made up of two component parts as illustrated (Fig. 30); check to see that the collet is properly seated in the collet chuck nut and lightly thread the collet chuck back onto the armature shaft. Replace worn or damaged collet chucks immediately.

FIG. 30



TOOL LUBRICATION

Your Bosch tool has been properly lubricated and is ready to use. It is recommended that tools with gears be regreased with a special gear lubricant at every brush change.

CARBON BRUSHES

The brushes and commutator in your tool have been engineered for many hours of dependable service. To maintain peak efficiency of the motor, we recommend every two to six months the brushes be examined. Only genuine Bosch replacement brushes specially designed for your tool should be used.

BEARINGS

Bearings which become noisy (due to heavy load or very abrasive material cutting) should be replaced at once to avoid overheating or motor failure.

Cleaning

⚠ WARNING To avoid accidents always disconnect the tool from the power supply before cleaning or performing any maintenance. The tool may be cleaned most effectively with compressed dry air. Always wear safety goggles when cleaning tools with compressed air.

Ventilation openings and switch levers must be kept clean and free of foreign matter. Do not attempt to clean by inserting pointed objects through openings.

Should a significant amount of dust gather in the motor-to-base 5V electrical connection track on either the base or motor, the dust can be removed with a vacuum cleaner, compressed air or soft brush.

⚠ CAUTION Certain cleaning agents and solvents damage plastic parts. Some of these are: gasoline, carbon tetrachloride, chlorinated cleaning solvents, ammonia and household detergents that contain ammonia.

Accessories

⚠ WARNING If an extension cord is necessary, a cord with adequate size conductors that is capable of carrying the current necessary for your tool must be used. This will prevent excessive voltage drop, loss of power or overheating. Grounded tools must use 3-wire extension cords that have 3-prong plugs and receptacles.

NOTE: The smaller the gauge number, the heavier the cord.

RECOMMENDED SIZES OF EXTENSION CORDS 120 VOLT ALTERNATING CURRENT TOOLS

Tool's Ampere Rating	Cord Size in A.W.G.				Wire Sizes in mm ²			
	Cord Length in Feet				Cord Length in Meters			
	25	50	100	150	15	30	60	120
3-6	18	16	16	14	0.75	0.75	1.5	2.5
6-8	18	16	14	12	0.75	1.0	2.5	4.0
8-10	18	16	14	12	0.75	1.0	2.5	4.0
10-12	16	16	14	12	1.0	2.5	4.0	—
12-16	14	12	—	—	—	—	—	—

- 1/4" Collet Chuck *
- 1/2" Collet Chuck *
- 16 mm Shaft Wrench *
- 24 mm Collet Nut Wrench *
- 3/8" Collet Chuck **
- 8 mm Collet Chuck **
- Deluxe Router Guide **
- Centering Device **
- Carry Case**
- Dust Extraction Hoods **
- Edge-Forming Dust Extraction Hood **

- Router Tables **
- Router Bits **
- Quick-Release Templet Guides **
- Adapter for Threaded Templet Guides **
- Adjustable Depth Stop Turret *
- Templet Guide Adapter **

(* = standard equipment)
(** = optional accessories)

Avertissements généraux relatifs à la sécurité pour les outils électriques

⚠ AVERTISSEMENT Veuillez lire tous les avertissements et toutes les consignes de sécurité. Si l'on n'observe pas ces avertissements et ces consignes de sécurité, il existe un risque de choc électrique, d'incendie et/ou de blessures corporelles graves.

CONSERVEZ TOUS LES AVERTISSEMENTS ET TOUTES LES CONSIGNES DE SÉCURITÉ POUR RÉFÉRENCE FUTURE.

Dans les avertissements, le terme « outil électroportatif » se rapporte à votre outil branché sur le secteur (avec fil) ou à votre outil alimenté par piles (sans fil).

Sécurité sur le lieu de travail

Gardez la zone de travail propre et bien éclairée. Les zones de travail encombrées ou sombres invitent des accidents.

Ne vous servez pas d'outils électriques dans des atmosphères explosives, comme en présence de liquides, de gaz ou de poussières inflammables. Les outils électriques produisent des étincelles qui peuvent enflammer des poussières ou des fumées.

Gardez les enfants et autres spectateurs à distance pendant que vous utilisez un outil électrique. Des distractions risqueraient de vous faire perdre contrôle de l'outil.

Sécurité électrique

La fiche de l'outil électrique doit être compatible avec la prise de courant. Ne modifiez jamais la fiche de quelque façon que ce soit. N'utilisez pas de fiches d'adaptation avec des outils mis à la terre (à la masse). L'utilisation de fiches non modifiées avec des prises de courant compatibles réduira le risque de choc électrique.

Évitez tout contact d'une partie quelconque du corps avec des surfaces mises à la terre ou à la masse telles que des tuyaux, des radiateurs, des gazinières et des réfrigérateurs. Il existe un risque accru de choc électrique si votre corps est connecté à la terre ou à la masse.

N'exposez pas les outils électriques à la pluie ou à des conditions humides. La pénétration d'eau dans un outil électrique augmentera le risque de choc électrique.

N'abusez pas le cordon d'alimentation. Ne tirez jamais sur le cordon pour transporter, traîner ou débrancher l'outil électrique. Gardez le cordon à distance de sources de chaleur, d'huile, de bords tranchants ou de pièces mobiles. Des cordons d'alimentation endommagés ou enchevêtrés augmentent le risque de choc électrique.

Lorsque vous utilisez un outil électrique à l'extérieur, utilisez un cordon de rallonge approprié pour un emploi à l'extérieur. L'utilisation d'un cordon approprié pour un emploi à l'extérieur réduit le risque de choc électrique.

Si l'utilisation de l'outil électrique dans des endroits humides ne peut pas être évitée, utilisez une source

d'alimentation protégée par un disjoncteur de fuite à la terre (GFCI). L'utilisation d'un tel disjoncteur réduit le risque de choc électrique.

Sécurité personnelle

Restez alerte, surveillez toujours ce que vous êtes en train de faire et faites preuve de bon sens quand vous utilisez un outil électrique. N'utilisez pas un outil électrique lorsque vous êtes fatigué ou sous l'influence de drogues, d'alcool ou de médicaments.

Un moment d'inattention pendant l'utilisation d'un outil électrique pourrait causer une blessure corporelle grave.

Utilisez des équipements de protection personnelle. Portez toujours un dispositif de protection des yeux.

Le port d'équipements de protection tels que des masques antipoussières, des chaussures de sécurité antidérapantes, des casques durs ou des dispositifs de protection des oreilles utilisés dans des conditions appropriées réduira le risque de blessures corporelles.

Empêchez toute mise en marche accidentelle. Assurez-vous que l'interrupteur est dans la position de coupure avant de brancher l'outil dans une prise de courant et/ou un bloc-piles, ou avant de ramasser ou de transporter l'outil. Le transport d'outils électriques avec votre doigt sur l'interrupteur ou la mise sous tension d'outils électriques dont l'interrupteur est en position de marche invite les accidents.

Retirez toute clé de réglage avant de mettre l'outil électrique sous tension. Une clé attachée à une pièce mobile de l'outil électrique lors de sa mise en marche pourrait causer des blessures corporelles.

Faites attention de ne jamais perdre l'équilibre. Soyez toujours bien stable et équilibré sur vos pieds. Ceci assure un meilleur contrôle de l'outil électrique dans des situations inattendues.

Habillez-vous de façon appropriée. Ne portez pas de vêtements lâches ou de bijoux. Confinez les cheveux longs. Gardez vos cheveux, vêtements et gants à distance des pièces en mouvement. Des vêtements lâches, des bijoux ou des cheveux longs pourraient être happés par des pièces mobiles.

Si des dispositifs sont fournis pour le raccordement d'équipements d'extraction et de collecte de la poussière, assurez-vous qu'ils sont connectés et utilisés correctement. L'utilisation d'un système de

collecte de la poussière peut réduire les risques relatifs à la poussière.

Utilisation et entretien de l'outil électrique

Ne forcez pas l'outil électrique. Utilisez l'outil électrique correct pour votre application. L'outil électrique correct fera le travail souhaité plus efficacement et avec moins de danger à la vitesse de fonctionnement pour laquelle il a été conçu.

N'utilisez pas l'outil électrique si l'interrupteur ne permet pas de le mettre sous tension/hors tension. Tout outil électrique qui ne peut pas être contrôlé au moyen de son interrupteur est dangereux et doit être réparé.

Débranchez la fiche de la prise de courant et/ou le bloc-piles de l'outil électrique avant de procéder à des réglages, de remplacer des accessoires ou de ranger l'outil. De telles mesures de sécurité préventives réduisent le risque de mise en marche accidentelle de l'outil électrique.

Rangez les outils électriques inutilisés hors de la portée des enfants et ne permettez pas à des personnes qui ne savent pas bien se servir de l'outil électrique ou qui n'ont pas lu ces instructions d'utiliser cet outil électrique. Les outils électriques sont dangereux entre les mains d'utilisateurs novices.

Entretenez les outils électriques. Inspectez-les pour vous assurer que les pièces mobiles sont bien alignées et ne risquent pas de se coincer, qu'il n'y a pas de composants cassés et qu'il n'y a pas d'autres problèmes pouvant affecter le fonctionnement d'un outil électrique. Si l'outil électrique est endommagé, faites-le réparer avant de vous en servir à nouveau. De nombreux accidents sont causés par des outils électriques mal entretenus.

Gardez les outils de coupe bien affûtés et propres. Des outils de coupe bien entretenus avec des bords tranchants risquent moins de se coincer et sont plus faciles à contrôler.

Utilisez l'outil électrique, les accessoires et les mèches, etc. conformément à ces instructions, en tenant compte des conditions de travail et des tâches à accomplir. L'utilisation de l'outil électrique pour des opérations différentes de celles pour lesquelles il est conçu pourrait créer des situations dangereuses.

Service

Faites réparer votre outil électrique par un réparateur compétent n'utilisant que des pièces de rechange identiques. Ceci assurera le maintien de la sécurité de l'outil électrique.

Consignes de sécurité pour les toupies

Tenez l'outil électroportatif par ses surfaces de préhension isolées parce que l'accessoire de coupe risque d'entrer en contact avec un fil caché. Tout contact de l'accessoire de coupe avec un fil sous tension risque de mettre aussi sous tension les parties métalliques exposées de l'outil électroportatif, ce qui pourrait causer un choc électrique pour l'opérateur.

Utilisez des brides ou d'autres moyens pratiques de brider ou de supporter la pièce sur une plate-forme stable. Tenir la pièce à la main ou contre le corps la rend instable et risque de résulter en une perte de contrôle.

Assurez-vous toujours que la surface de travail ne comporte pas de clous ou d'autres corps étrangers. Le contact de l'outil de coupe avec un clou peut causer un « saut » de la mèche et de l'outil et risque également d'endommager la mèche.

Ne tenez jamais l'ouvrage d'une main et l'outil de l'autre pendant que vous vous servez de celui-ci. Ne placez jamais les mains à proximité ou au-dessous de la surface de coupe. Il est plus sûr de fixer l'ouvrage avec une bride et de guider l'outil avec les deux mains.

Ne posez jamais l'ouvrage sur des surfaces dures telles que du béton, de la pierre, etc. Si la mèche rebondit contre cette surface dure après avoir coupé l'ouvrage, cela risque de faire sauter l'outil.

Portez toujours des lunettes étanches et un masque

antipoussières. N'utilisez que dans une salle bien ventilée. L'utilisation d'équipements de sécurité personnelle et le travail dans un environnement sûr réduit les risques de blessures.

Après avoir remplacé une mèche ou effectué un réglage quelconque, assurez-vous que l'écrou de la douille et tous les autres dispositifs de réglage sont bien serrés. Un dispositif de réglage desserré risquerait de changer de position de façon inattendue, causant ainsi une perte de contrôle qui pourrait projeter avec violence des composants en rotation non assujettis.

Ne mettez jamais l'outil en marche alors que la mèche est engagée dans le matériau de l'ouvrage. Le bord coupant de la mèche risquerait de s'accrocher au matériau et de causer une perte de contrôle de l'ouvrage.

Tenez toujours l'outil avec les deux mains pendant la mise en marche. Le couple de réaction du moteur risque de faire tourner l'outil.

Lorsque vous toupillez ou coupez, le sens de l'alimentation avec le bord coupant de la mèche est très important. Faites toujours pénétrer la mèche dans le matériau dans le même sens que le bord de coupe sort du matériau (qui est le même sens que celui dans lequel les copeaux sont expulsés). REMARQUE : les coupes intérieures et extérieures nécessiteront des sens d'alimentation différents ; veuillez consulter la section consacrée à l'alimentation de la toupie. Le fait d'alimenter l'outil dans le

mauvais sens fera ressortir du matériau à couper le bord coupant de la mèche et attirera l'outil dans le sens de cette alimentation.

N'utilisez jamais de mèches émoussées ou endommagées. Les mèches tranchantes doivent être manipulées avec précaution. Les mèches endommagées pourraient se casser pendant l'emploi. Les mèches émoussées nécessitent plus de force pour faire avancer l'outil, ce qui risque de causer la cassure de la mèche.

Ne touchez jamais la mèche pendant l'emploi ou

immédiatement après l'emploi. Après l'emploi, la mèche est trop chaude pour pouvoir être touchée avec les mains nues.

Ne posez jamais l'outil avant que le moteur se soit complètement arrêté. La mèche continuant à tourner pourrait saisir la surface et vous faire perdre le contrôle de l'outil.

N'utilisez jamais de mèches dont le diamètre de coupe est plus élevé que l'ouverture dans la base.

Avertissements additionnels relatifs à la sécurité

L'utilisation d'un disjoncteur de fuite à la terre et de dispositifs de protection personnelle tels que des gants d'électricien en caoutchouc et des chaussures à semelles isolantes améliorera votre sécurité personnelle.

N'utilisez pas d'outils conçus pour n'être branchés que sur du courant c.a. avec une alimentation c.c. Bien que l'outil puisse sembler fonctionner normalement, les composants électriques d'un outil conçu pour ne fonctionner que sur le secteur risquent de se dérégler et de créer un danger pour l'opérateur.

Gardez vos mains sèches, propres et sans huile ou graisse. Des mains glissantes ne permettent pas de contrôler un outil électrique de façon sûre.

Établissez un calendrier de maintenance périodique pour votre outil. Lorsque vous nettoyez un outil, faites attention de ne pas démonter de quelconques parties de l'outil étant donné que des fils internes risqueraient d'être mal remontés ou d'être comprimés, ou que des ressorts de rappel pourraient être remontés de façon incorrecte. Certains agents de nettoyage tels que l'essence, le tétrachlorure de carbone, l'ammoniac, etc. risquent d'endommager les composants en plastique.

Risque de blessure pour l'utilisateur. Le cordon d'alimentation ne doit être réparé que par un centre de

service usine Bosch ou une station service agréée Bosch.

AVERTISSEMENT Certaines poussières créées par des opérations de ponçage, de sciage, de rectification, de perçage et d'autres activités de construction avec des outils électriques contiennent des produits chimiques qui sont connus comme causant des cancers, des malformations congénitales et d'autres problèmes affectant la reproduction. Voici quelques exemples de tels produits chimiques :

- Le plomb de peintures à base de plomb,
- La silice cristalline de briques et de ciment, ainsi que d'autres produits de maçonnerie, et
- L'arsenic et le chrome de bois d'œuvre ayant subi un traitement chimique.

Votre risque résultant de telles expositions est variable, selon la fréquence de votre exposition. Pour réduire votre exposition à de tels produits chimiques : travaillez dans un endroit bien ventilé et en portant un matériel de sécurité agréé, comme un masque antipoussières qui est conçu spécialement pour filtrer les particules microscopiques.

Consignes de sécurité pour la table de toupie

Lisez et comprenez le mode d'emploi de l'outil et ces instructions pour pouvoir utiliser la table avec votre outil. Le non-respect de toutes les instructions figurant ci-dessous peut causer des blessures corporelles graves.

Assemblez complètement et serrez toutes les attaches de fixation requises pour la table et pour le montage de l'outil.

N'utilisez pas la table de toupie avant d'avoir terminé toutes les étapes d'assemblage et d'installation. En outre, souvenez-vous d'inspecter le support de temps à autre pour vous assurer qu'il est toujours solidement bien en place. Un support mal assujéti est instable et risquerait de bouger pendant l'emploi et de causer des blessures graves.

Assurez-vous que l'outil n'est pas branché dans une prise

de courant lorsque vous l'installez sur la table ou pendant que vous effectuez des réglages ou en remplacez la mèche. Une mise en marche accidentelle de l'outil risquerait de causer des blessures.

Ne branchez pas le cordon d'alimentation du moteur de la toupie directement dans une prise de courant murale standard. Au lieu de cela, branchez-le dans l'interrupteur de la table de toupie. Les interrupteurs et les commandes de cet outil électrique doivent être à votre portée dans des cas d'urgence.

Avant de mettre en marche, assurez-vous que toute la table est placée sur une surface solide, plate et complètement horizontale. Des blessures graves pourraient être causées par

une table instable qui risquerait de basculer avec un outil de coupe dessus.

Assurez-vous que le moteur de la toupie est fixé totalement et solidement à la base de la toupie, et inspectez périodiquement l'attache ou la fixation à la base pour vous assurer qu'elle est bien serrée. Tous les dispositifs de réglage doivent être bien serrés. Serrez suivant les besoins car l'outil peut se détacher de la base en raison des vibrations et il risquerait alors de tomber ou de chuter soudainement s'il est positionné sens dessus dessous sur une table.

N'utilisez pas la table de toupie sans son toit de protection ou son protège-mèche auxiliaire installé. Ces dispositifs de protection aideront à maintenir vos mains à distance suffisante de la mèche en cas de contact imprévu avec celle-ci.

Ne placez jamais les doigts en dessous du toit de protection ou près de la mèche en rotation. Ne tenez jamais l'ouvrage du côté « sortie » de la mèche. Si vous appuyez l'ouvrage contre le côté « sortie » du guide, vous risquez de provoquer le coincement de l'ouvrage et un choc en retour qui pourrait avoir pour effet que vos mains entreraient en contact avec la mèche.

Les mèches de toupie sont conçues pour du bois, des produits similaires au bois et des matériaux en plastique, p. ex., Corian ou des stratifiés. Elles ne sont pas conçues pour couper ou profiler des métaux. Assurez-vous que l'ouvrage ne contient pas de clous, etc., avant de commencer à toupiller. L'entrée de la mèche en contact avec un clou ou un objet similaire causera le déplacement de grains de carbure et leur projection en direction de l'opérateur, ce qui pourrait vous blesser ou blesser d'autres personnes présentes.

Choisissez la mèche appropriée pour votre application et faites-la tourner à la vitesse correcte. N'utilisez pas de mèches dont le diamètre de coupe est plus élevé que la capacité de l'outil. La surcharge de l'outil risquerait de causer des blessures corporelles ou le dérèglement de l'outil.

Positionnez et assujettissez solidement la mèche de la toupie dans le mandrin à douille avant de commencer à couper. Si la mèche se desserrait pendant une opération de coupe, elle risquerait d'être éjectée de la table et elle risquerait de vous frapper ou de frapper d'autres personnes présentes à proximité.

N'utilisez jamais de mèches émoussées ou endommagées. Les mèches tranchantes doivent être manipulées avec précaution. Les mèches endommagées pourraient se casser pendant l'emploi. Les mèches émoussées nécessitent plus de force pour faire avancer l'outil, ce qui risque de causer la cassure de la mèche ou un choc en retour du matériau.

Nous ne recommandons pas de couper des matériaux tordus, instables ou en position précaire. Si le matériau est légèrement recourbé mais stable par ailleurs, coupez le matériau avec le côté concave contre la table ou le guide. La coupe de matériaux dont le côté concave est orienté vers le haut ou dans le sens opposé à la table risque de faire rouler le matériau tordu ou recourbé, ce qui pourrait causer une perte de contrôle, un choc en retour et une blessure corporelle grave.

Ne mettez jamais l'outil en marche alors que la mèche est engagée dans le matériau de l'ouvrage. Le bord coupant de la mèche risquerait de s'accrocher au matériau et de causer

une perte de contrôle de l'ouvrage.

Faites avancer l'ouvrage dans le sens contraire au sens de rotation de la mèche. La mèche tourne dans le sens contraire des aiguilles d'une montre quand on regarde depuis le haut de la table. Le fait de faire avancer l'ouvrage dans le mauvais sens ferait « grimper » l'ouvrage sur la mèche, ce qui attirerait l'ouvrage – et peut-être aussi vos mains – vers la mèche en mouvement.

Utilisez des bâtons, des planches à languettes (avec ressorts) montées verticalement et horizontalement, ainsi que d'autres gabarits de montage pour tenir l'ouvrage en place, et gardez les mains à distance de la mèche en rotation. Les coupes de toupillage sont des coupes aveugles, mais la mèche dépasse toujours de la table, et vous devriez toujours être conscient de la position de vos mains par rapport à la mèche en rotation.

L'emploi de supports auxiliaires pour l'entrée et la sortie de l'ouvrage est vivement suggéré dans le cas des ouvrages longs ou larges. Des ouvrages longs risqueraient de tomber de la table ou même de faire basculer toute la table si celle-ci n'est pas supportée adéquatement.

Utilisez le guide réglable dans les applications de coupe droite. Lorsque vous toupillez le long de tout un bord de l'ouvrage, le guide aidera à assurer la stabilité.

Ne placez pas le matériau entre la mèche de la toupie et le guide pendant que vous toupillez le bord. Ce placement pourrait causer le coincement du matériau et risquerait d'entraîner un choc en retour.

Des mèches pilotées le long de la broche d'attaque sont utilisées lors du toupillage de contours internes et externes sur l'ouvrage. Utilisez le protège-mèche auxiliaire lorsque vous profilez un matériau avec la broche d'attaque et des mèches pilotées. La broche d'attaque et le palier de la mèche pilotée aident à assurer le contrôle de l'ouvrage.

Ne placez pas le matériau entre une mèche de toupie pilotée et la broche d'attaque lorsque vous êtes en train de profiler des contours. Ce placement provoquera le coincement du matériau et risquerait de causer un choc en retour.

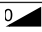


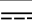








Ne touchez jamais la mèche pendant l'emploi ou immédiatement après l'emploi. Le contact avec une mèche en rotation causerait une blessure, et après l'emploi, la mèche est trop chaude pour pouvoir être touchée avec les mains nues.

N'utilisez pas la table comme un établi ou une surface de travail. La table n'est pas conçue pour être utilisée comme un établi ou une surface de travail en dehors du toupillage du matériau. Son utilisation dans un but autre que le toupillage risquerait de causer des dommages et de la rendre inadéquate pour un emploi dans le cadre d'une opération de toupillage.

Ne montez jamais sur la table et ne l'utilisez pas comme une échelle ou un escabeau. Des blessures graves pourraient survenir si la table était renversée ou si vous entriez accidentellement en contact avec l'outil de coupe. Ne rangez de matériaux sur la table ou près de la table de telle sorte qu'il pourrait être nécessaire de monter sur la table ou sur son support pour le atteindre.

Symboles

IMPORTANT : Certains des symboles suivants peuvent être utilisés sur votre outil. Veuillez les étudier et apprendre leur signification. Une interprétation appropriée de ces symboles vous permettra d'utiliser l'outil de façon plus efficace et plus sûre.

Symbole	Nom	Désignation/Explication
V	Volts	Tension (potentielle)
A	Ampères	Courant
Hz	Hertz	Fréquence (cycles par seconde)
W	Watt	Puissance
kg	Kilogrammes	Poids
min	Minutes	Temps
s	Secondes	Temps
∅	Diamètre	Taille des mèches de perceuse, meules, etc.
n_0	Vitesse à vide	Vitesse de rotation, à vide
n	Vitesse nominale	Vitesse maximum pouvant être atteinte
.../min	Tours ou mouvement alternatif par minute	Tours, coups, vitesse en surface, orbites, etc., par minute
0	Position d'arrêt	Vitesse zéro, couple zéro ...
1, 2, 3, ... I, II, III, ...	Réglages du sélecteur	Réglages de vitesse, de couple ou de position. Un nombre plus élevé signifie une vitesse plus grande
	Sélecteur variable à l'infini avec arrêt	La vitesse augmente depuis le réglage 0
	Flèche	Action dans la direction de la flèche
	Courant alternatif	Type ou caractéristique du courant
	Courant continu	Type ou caractéristique du courant
	Courant alternatif ou continu	Type ou caractéristique du courant
	Construction classe II	Désigne des outils construits avec double isolation
	Borne de terre	Borne de mise à la terre
	Symbole d'avertissement	Alerte l'utilisateur aux messages d'avertissement.
	Sceau Li-ion RBRC	Désigne le programme de recyclage des piles Li-ion.
	Sceau Ni-Cad RBRC	Désigne le programme de recyclage des piles Ni-Cad.
	Symbole de lecture du mode d'emploi	Alerte l'utilisateur pour lire le mode d'emploi
	Symbole de port de lunettes de sécurité	Alerte l'utilisateur pour porter des lunettes de sécurité

Symboles (suite)

IMPORTANT : Certains des symboles suivants peuvent être utilisés sur votre outil. Veuillez les étudier et apprendre leur signification. Une interprétation appropriée de ces symboles vous permettra d'utiliser l'outil de façon plus efficace et plus sûre.



Ce symbole signifie que cet outil est approuvé par Underwriters Laboratories.



Ce symbole indique que cet outil est reconnu par Underwriters Laboratories.



Ce symbole signifie que cet outil est approuvé par Underwriters Laboratories selon les normes des États-Unis et du Canada.



Ce symbole signifie que cet outil est approuvé par l'Association canadienne de normalisation.



Ce symbole signifie que cet outil est approuvé par l'Association canadienne de normalisation selon les normes des États-Unis et du Canada.



Ce symbole signifie que cet outil est approuvé par Intertek Testing Services selon les normes des États-Unis et du Canada.



Ce symbole signifie que cet outil se conforme aux normes mexicaines NOM.

Description fonctionnelle et spécifications

AVERTISSEMENT Débranchez la fiche de la prise de courant avant de procéder au montage ou à des réglages, ou avant de remplacer un accessoire. De telles mesures de sécurité préventives réduisent le risque de mise en marche accidentelle de l'outil électrique.

Toupe à base fixe MRF23EVS

FIG. 1

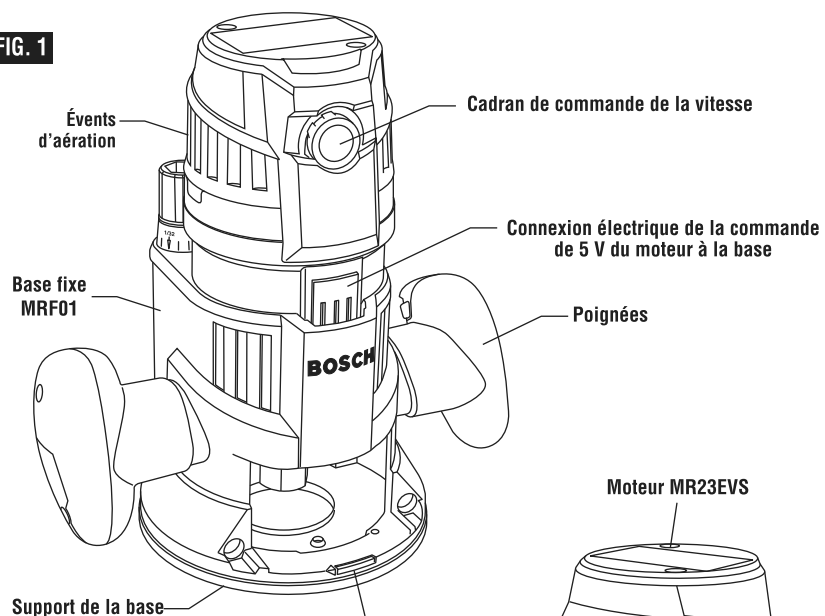
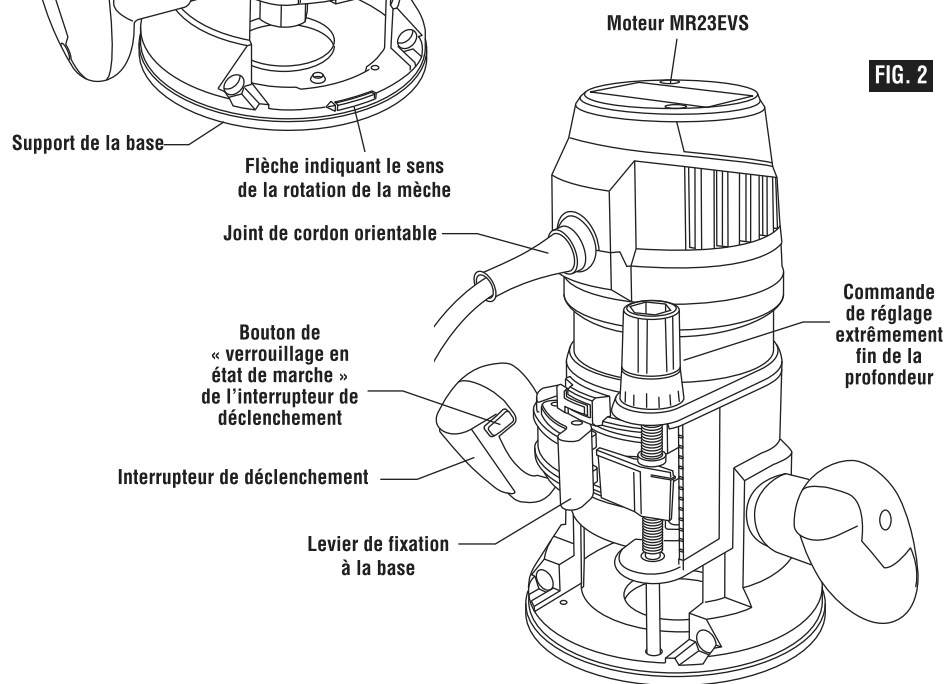


FIG. 2



REMARQUE : référez-vous à la plaque signalétique de votre outil pour connaître les spécifications de cet outil.

Description fonctionnelle et spécifications

AVERTISSEMENT Débranchez la fiche de la prise de courant avant de procéder au montage ou à des réglages, ou avant de remplacer un accessoire. De telles mesures de sécurité préventives réduisent le risque de mise en marche accidentelle de l'outil électrique.

Toupie à base pour fonctionnement en plongée MRP23EVS

FIG. 3

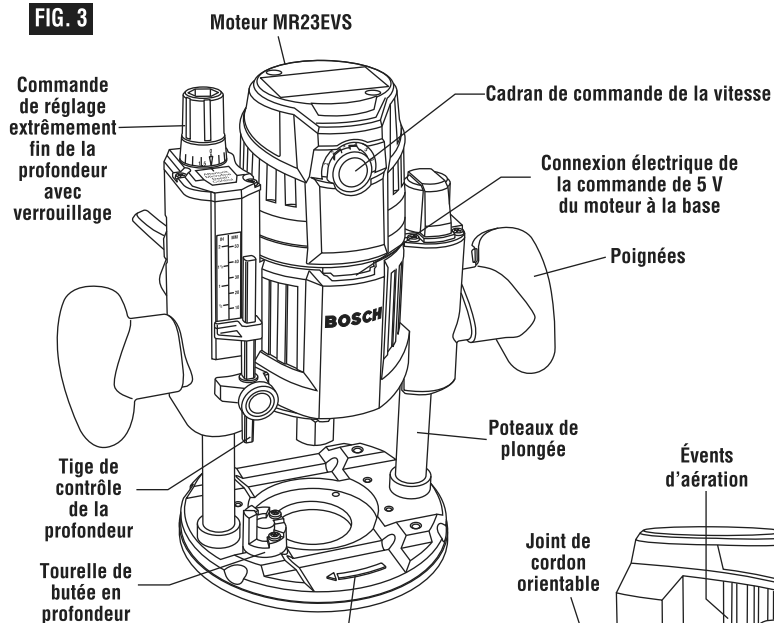
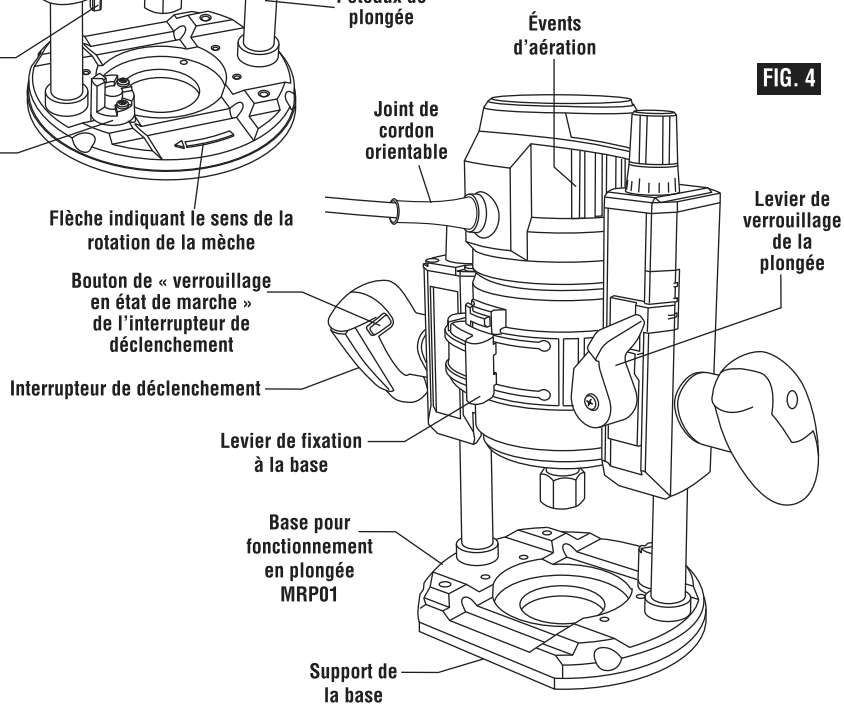


FIG. 4



REMARQUE : référez-vous à la plaque signalétique de votre outil pour connaître les spécifications de cet outil.

Assemblage et réglages

INSTALLATION D'UNE MÈCHE DE TOUPIE

Un grand assortiment de mèches de toupie avec des profils variés est disponible séparément. Utilisez une tige de 1/2 po dans la mesure du possible, et n'employez que des mèches de bonne qualité.

AVERTISSEMENT Pour ne pas risquer de blessure corporelle, retirez toujours la fiche de la prise de courant avant de retirer ou d'installer des mèches ou des accessoires.

Placez la toupie sens dessus dessous ou posez-la sur son côté de façon que la base repose toujours sur l'établi. Une autre option consiste à retirer le moteur de la base avant d'installer la mèche.

REMARQUE : la tige de la mèche et le mandrin à douille doivent être propres et il ne doit pas y avoir de poussière, de bois, de résidus ou de graisse dessus avant de procéder à l'assemblage.

1. Tenez l'arbre du rotor en place au moyen de la clé à arbre (Fig. 5).
2. Ensuite, utilisez la clé à douille pour desserrer l'ensemble de mandrin à douille dans le sens contraire des aiguilles d'une montre (vu depuis le dessous de la toupie).
3. Insérez la tige de la mèche de la toupie dans l'ensemble de mandrin à douille aussi profondément que possible, puis faites ressortir la tige jusqu'à ce que les couteaux soient à environ 1/8 po ou 1/4 po de la face de l'écrou de la douille. **Pour assurer une bonne prise de la mèche de la toupie et pour minimiser le risque d'éjection de la mèche, la tige de la mèche de la toupie doit être insérée sur au moins 5/8 po (16 mm).**
4. Après avoir insérer la mèche de la toupie, et avec la clé à arbre contrôlant l'arbre d'induit, utilisez la clé à douille pour serrer fermement l'ensemble de mandrin à douille dans le sens des aiguilles d'une montre (vu depuis le dessous de la toupie).

AVERTISSEMENT Le diamètre du couteau doit être inférieur d'au moins 1/4 po (6.35 mm) de l'ouverture du support de la base et/ou de la base pour la mèche et le couteau.

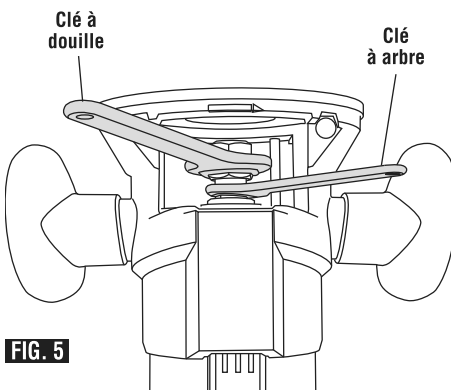


FIG. 5

AVERTISSEMENT Lorsque vous utilisez un gabarit, n'employez pas de mèche de toupie ayant un couteau qui dépasse la taille maximum recommandée (voir page 48).

AVERTISSEMENT Pour ne pas risquer d'endommager l'outil, ne serrez pas la douille sans que la mèche n'y soit insérée.

AVERTISSEMENT Assurez-vous toujours que le mandrin à douille est bien serré avant d'utiliser cet outil.

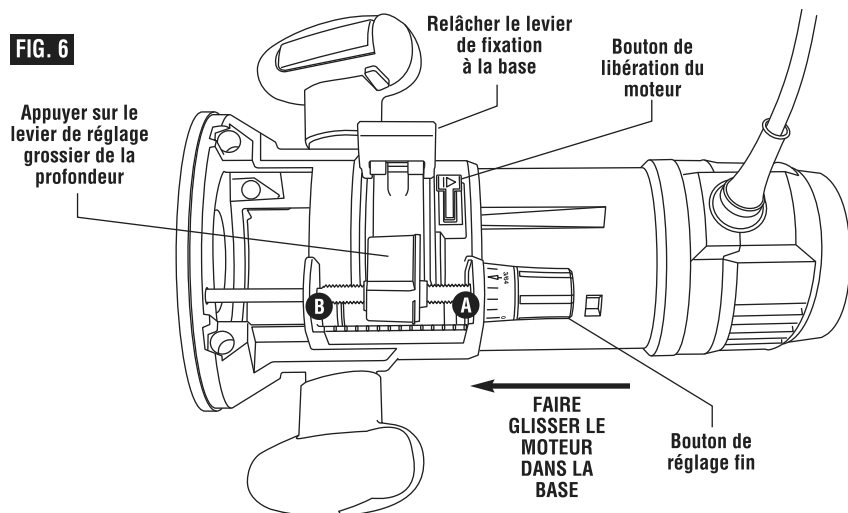
RETRAIT D'UNE MÈCHE DE TOUPIE

1. Utilisez les clés à arbre et à mandrin à douille comme cela est décrit plus haut, et faites tourner l'ensemble de mandrin à douille dans le sens contraire des aiguilles d'une montre.
2. Après que l'ensemble de mandrin à douille aura été desserré, continuez à faire tourner l'ensemble de mandrin à douille jusqu'à ce qu'il libère la douille de son cône et qu'il soit possible de retirer la mèche de la toupie.

REMARQUE : le mandrin à douille est auto-extractible ; il n'est PAS nécessaire de frapper sur le mandrin à douille pour libérer la mèche de la toupie.

Préparation de la base fixe MRF01

FIG. 6



INSTALLATION DU MOTEUR DANS LA BASE FIXE

1. Relâchez le levier de fixation à la base.
2. Alignez la **CONNEXION ÉLECTRIQUE DE LA COMMANDE DE 5 V DU MOTEUR À LA BASE** avec la fente dans la base fixe et faites glisser le moteur dans le chariot.
3. Le moteur commencera par glisser au-delà de l'aire de réception du bouton de libération du moteur de la base.
4. Tout en maintenant enfoncé le levier de réglage grossier de la profondeur, poussez le moteur dans la base jusqu'à ce qu'il atteigne approximativement la profondeur désirée.
5. Relâchez le levier de réglage grossier de la profondeur et faites glisser le moteur vers l'avant ou vers l'arrière suivant les besoins jusqu'à ce que l'« aire de réception du système de réglage grossier soit projeté dans l'encoche de détente de réglage grossier.
6. Réglez la position finale de la hauteur comme cela est décrit à la rubrique **RÉGLAGE DE LA PROFONDEUR DE LA BASE FIXE**.
7. Après avoir effectué les réglages de profondeur, fixez à nouveau le moteur en appuyant sur le levier de fixation à la base pour le mettre en position fermée.

RETRAIT DU MOTEUR DE LA BASE FIXE

1. Tenez la toupie en position horizontale et ouvrez le levier de fixation à la base.
2. Appuyez sur le levier de réglage grossier de la profondeur et maintenez-le enfoncé, puis tirez doucement sur le moteur pour le faire sortir de la base.
3. Appuyez sur le bouton secondaire de libération du moteur, et faites sortir le moteur complètement de la base fixe.

RÉGLAGE DE PROFONDEUR DE LA BASE FIXE

La Base fixe MRF01 est pourvue d'un mécanisme de réglage fin de type micromètre précis, qui peut être utilisé dans n'importe quelle position et qui permet de réaliser un réglage précis de la position de la mèche de toupie afin d'assurer une exactitude inégalée. Lorsque l'outil est abaissé approximativement dans la position désirée, ce mécanisme peut être ajusté de manière à permettre de régler de façon précise la position finale de la mèche.

Cette base est également pourvue de trois encoches horizontales des deux côtés du bâti du moteur pour permettre de réaliser des réglages grossiers. Les encoches sont espacées de 1/2 po, ce qui vous permet d'abaisser ou d'élever rapidement la profondeur de l'outil en trois incréments de 1/2 po (approximativement 12,7 mm), en relâchant simplement le levier de réglage grossier.

RÉGLAGE DE LA PROFONDEUR

REMARQUE : tous les réglages de la profondeur doivent être effectués avec le levier de fixation à la base relâché.

1. Ouvrez le levier de fixation à la base pour relâcher le moteur.
2. **RÉGLAGE GROSSIER DE LA PROFONDEUR** : Pour effectuer un réglage substantiel de la profondeur, appuyez sur le levier de réglage grossier de la profondeur, et élevez ou abaissez le moteur jusqu'à la profondeur désirée (approximativement) afin qu'il puisse s'engager dans l'encoche la plus proche. Il y a trois encoches dans le bâti du moteur qui sont espacées de 1/2 po afin de faciliter ce réglage.

3. RÉGLAGE FIN DE LA PROFONDEUR :

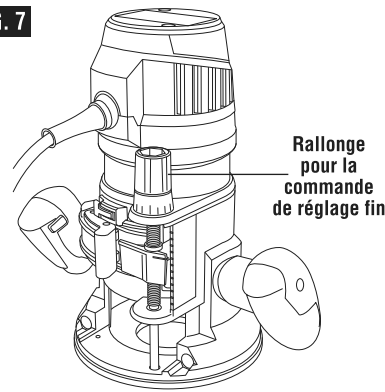
Pour utiliser la fonction de réglage fin, tournez le bouton de réglage fin dans le sens des aiguilles d'une montre pour abaisser la mèche de la toupie ou dans le sens contraire des aiguilles d'une montre pour l'élever.

4. Après avoir effectué les réglages de la profondeur, fixez à nouveau le moteur en place.

REMARQUES :

- Vérifiez que le levier de réglage grossier est engagé dans l'une des encoches de réglage grossier avant de réaliser un réglage fin.
- Pour ne pas risquer d'endommager l'outil, évitez d'appuyer le levier de réglage grossier contre la partie supérieure A ou la partie inférieure B du bâti, comme illustré à la Figure 6.
- Si le levier de réglage grossier est engagé dans l'encoche la plus proche de la douille, il est possible d'accéder à toute la plage de profondeurs en utilisant seulement la fonction de réglage fin de la profondeur. Par conséquent, il ne sera plus nécessaire d'utiliser la fonction de réglage grossier de la profondeur, et ceci est particulièrement utile lorsque la toupie est utilisée sur une table de toupie.
- Lorsque la toupie est installée sur une table de toupie, elle peut faire l'objet de réglages au moyen d'une clé hexagonale de 1/8 po, qui n'est pas incluse dans tous les modèles (voir page 48).
- Pour permettre de faire des réglages précis, la bague indicatrice est graduée en incréments anglais et métriques, et chaque trait est égal à 0,004 po, ou 1/10 mm.

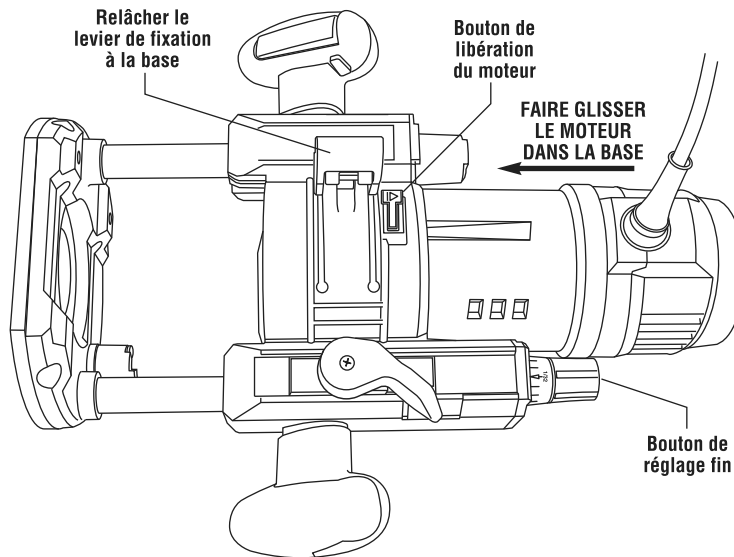
FIG. 7



- Un tour complet du bouton de réglage fin = 1/16 po, ou approximativement 1,5 mm. Le mécanisme de réglage fin a une plage totale de réglage de 1-9/16 po (40 mm).
- La bague indicatrice peut être remise à zéro sans qu'il ne soit nécessaire d'utiliser le bouton de réglage fin, pour permettre à l'utilisateur de commencer le réglage depuis n'importe quel point de référence désiré.

Préparation de la base pour fonctionnement en plongée MRP01

FIG. 8



INSTALLATION DU MOTEUR DANS LA BASE POUR FONCTIONNEMENT EN PLONGÉE

- 1 Relâchez le levier de fixation à la base.
- 2 Alignez la CONNEXION ÉLECTRIQUE DE LA COMMANDE DE 5 V DU MOTEUR À LA BASE avec la fente dans la base pour fonctionnement en plongée et faites glisser le moteur pour qu'il soit complètement dans le chariot.
3. Le moteur commencera par glisser au-delà de l'aire de réception du bouton de libération du moteur de la base.
4. Fixez à nouveau le moteur en appuyant sur le levier de fixation à la base pour le mettre en position fermée.

vers la gauche, appliquez une pression descendante jusqu'à ce que vous ayez atteint la profondeur désirée et relâchez alors la pression sur le levier pour verrouiller en position (Fig. 9).

Le levier de verrouillage de l'action de plongée est à ressort, et il se remet automatiquement en position verrouillée.

Pour élever la toupie :

Poussez le levier de verrouillage de l'action de plongée vers la gauche, relâchez la pression sur la toupie, et celle-ci fera automatiquement sortir la mèche de l'ouvrage.

Il est conseillé de rétracter la mèche chaque fois qu'elle n'est pas engagée dans l'ouvrage.

RETRAIT DU MOTEUR DE LA BASE POUR FONCTIONNEMENT EN PLONGÉE

1. Tenez la toupie en position horizontale, ouvrez le levier de fixation à la base et tirez sur le moteur, vers le haut, jusqu'à ce qu'il se bloque.
2. Appuyez sur le bouton secondaire de libération du moteur, et faites sortir le moteur complètement du chariot du moteur dans la base pour fonctionnement en plongée.

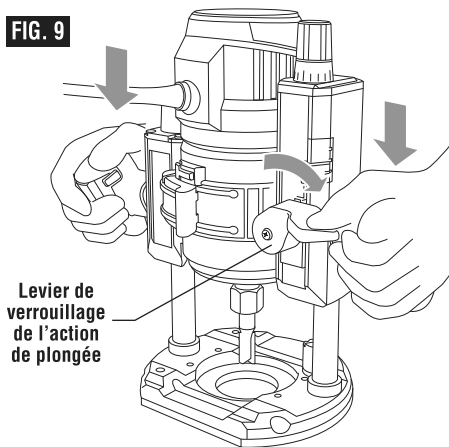
RÉGLAGE DE PROFONDEUR DE LA BASE POUR FONCTIONNEMENT EN PLONGÉE ACTION DE PLONGÉE DE LA BASE

La fonction de plongée de la base MRP01 simplifie les réglages de la profondeur et permettra à la mèche coupante de pénétrer facilement et de façon précise dans l'ouvrage.

Pour abaisser la toupie :

Poussez le levier de verrouillage de l'action de plongée

FIG. 9



TIGE DE CONTRÔLE DE LA PROFONDEUR ET TOURELLE

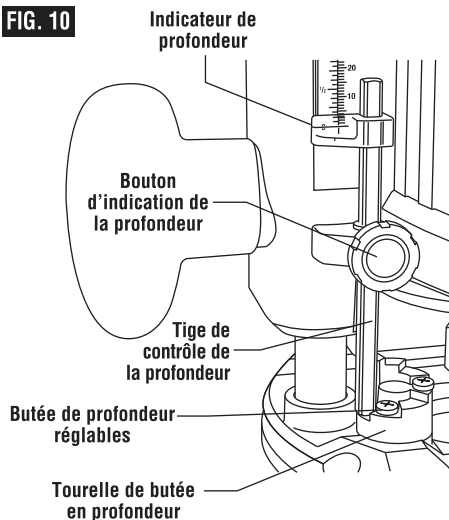
La tige de contrôle de la profondeur et la tourelle de butée en profondeur sont utilisées pour contrôler la profondeur de coupe de la façon suivante :

- Après avoir installé la mèche, abaissez doucement le moteur jusqu'à ce que la pointe de la mèche de la toupie entre en contact avec la surface de niveau sur laquelle repose la toupie. Il s'agit de la position « zéro », à partir de laquelle de nouveaux réglages de la profondeur pourront être réalisés de façon très précise.
- Pour fixer une profondeur de coupe désirée, faites tourner la tourelle de butée en profondeur jusqu'à ce que son repère le plus bas soit aligné avec la tige de contrôle de la profondeur. Desserrez le bouton d'indication de la profondeur et abaissez la tige de contrôle de la profondeur jusqu'à ce qu'elle entre en contact avec le repère le plus bas de la tourelle. Faites glisser l'indicateur de profondeur jusqu'à ce que le trait rouge indique zéro sur l'échelle de profondeur, ce qui fait référence au point auquel la mèche effleure l'ouvrage (Fig. 10).
- Pour fixer une profondeur de coupe désirée, faites glisser la tige de contrôle de la profondeur jusqu'à ce que le trait rouge d'indication de la profondeur ait atteint la profondeur de coupe désirée, et assujettissez la tige en place en serrant fermement le bouton d'indication de la profondeur.
- La profondeur de coupe désirée peut maintenant être atteinte en faisant plonger la toupie jusqu'à ce que la tige de contrôle de la profondeur entre en contact avec la butée sélectionnée sur la tourelle.

AUTRE CONFIGURATION POSSIBLE POUR LA TIGE DE CONTRÔLE DE LA PROFONDEUR ET LA TOURELLE

- Il est également possible de placer un gabarit ayant la profondeur de toupillage désirée (tel qu'une charnière à mortaiser) sur le repère du bas de la tourelle.
- Ensuite, abaissez la tige de contrôle de la profondeur jusqu'à ce qu'elle entre en contact avec le gabarit.
- Assujettissez la tige en place en serrant fermement le bouton d'indication de la profondeur.
- Pour terminer, retirez le gabarit.

FIG. 10



COUPES PROFONDES

Pour les coupes plus profondes, faites plusieurs coupes progressivement plus profondes en commençant par le repère le plus élevé sur la tourelle de butée en profondeur. Après chaque coupe, faites tourner la tourelle jusqu'à des repères progressivement plus bas, en fonction de la profondeur que vous désirez atteindre, jusqu'à ce que vous ayez atteint cette profondeur (repère le plus bas ou à plat). Les repères correspondent à des incréments de 1/8 po.

Les deux vis de réglage sont fournies pour rendre possibles des incréments de profondeur différents de 1/8 po, ce qui vous permet de répéter facilement des opérations à multiples passes ayant une profondeur totale qui n'est pas un multiple de 1/8 po.

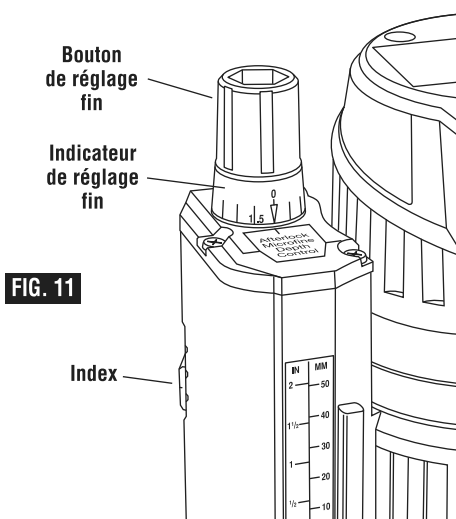
Préparation de la base pour fonctionnement en plongée MRP01

RÉGLAGE FIN AVEC VERROUILLAGE

La base MRP01 est pourvue d'un mécanisme de réglage fin de type micromètre précis, qui peut être utilisé après la fixation du verrouillage en plongée dans n'importe quelle position de plongée et permet de réaliser un réglage exact de la position de la mèche de la toupie d'une précision inégalée. Lorsque l'outil aura été enfoncé en plongée jusqu'à la position approximative désirée, ce mécanisme pourra être réglé de façon à fixer de manière très précise la position finale de la mèche (Fig. 11).

- Pour utiliser la fonction de réglage fin, tournez le bouton de réglage fin dans le sens des aiguilles d'une montre pour abaisser la mèche de la toupie ou dans le sens contraire des aiguilles d'une montre pour l'élever.
- Pour permettre de faire des réglages précis, la bague indicatrice est graduée en incréments anglais et métriques, et chaque trait est égal à 0,004 po, ou 1/10 mm.
- Un tour complet du bouton de réglage fin = 1/16 po, ou approximativement 1,5 mm.
- L'indicateur de réglage fin peut être remis à zéro sans qu'il ne soit nécessaire d'utiliser le bouton de réglage fin, pour permettre à l'utilisateur de commencer le réglage depuis n'importe quel point de référence désiré.
- Le mécanisme de réglage fin a une plage de réglage totale de 5/8 po (16 mm), qui est indiquée par l'index à l'arrière du bâti.
- Lorsque la fonction de réglage fin est utilisée, vérifiez que l'index est positionné entre les deux traits pour assurer un déplacement suffisant dans le sens désiré après que la toupie aura été enfoncée en plongée à l'endroit désiré.
- Notez que quand la toupie est enfoncée en plongée jusqu'à la profondeur maximum ou quand elle est complètement rentrée jusqu'en haut des poteaux, le bouton de réglage fin ne peut plus être utilisé pour faire monter ou descendre le moteur étant donné que l'extrémité de la course a été atteinte.
- De même, le bouton de réglage fin ne peut plus être utilisé pour abaisser la mèche lorsque la tige de contrôle de la profondeur est serrée contre la tourelle de butée en profondeur.

Pour vous assurer que vos réglages de profondeur sont conformes à ce que vous désirez, il est conseillé de faire des coupes de test dans des résidus de matériau avant de commencer à travailler sur l'ouvrage lui-même.



Instructions pour l'utilisation

BRANCHEMENT DU MOTEUR DANS LA PRISE DE COURANT / DEL D'ÉCLAIRAGE

Lorsque le moteur est branché dans la prise de courant et est alimenté en électricité, les DEL en bas du moteur s'allument. Ces DEL améliorent la visibilité de la zone de travail lors du réglage de la profondeur et/ou du lieu de départ, ainsi que pendant l'opération de toupillage. Notez que le moteur ne peut pas être mis en marche quand il n'est pas installé dans une base de toupie Bosch de la série MR.

AVERTISSEMENT Le moteur doit toujours être débranché quand il est nécessaire de s'approcher de la zone de la mèche ou de faire des réglages dans cette zone, comme pour remplacer la mèche ou un gabarit et/ou pour centrer le support de la base, entre autres choses.

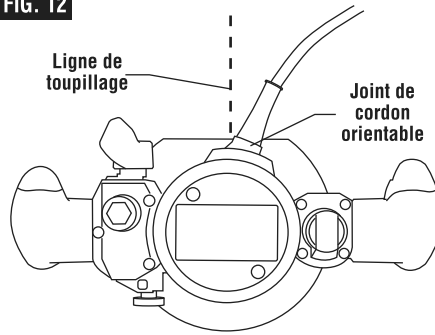
COMMANDE ÉLECTRONIQUE DE VITESSE VARIABLE

La fonction de commande électronique de la vitesse permet de mettre en corrélation la vitesse du moteur et la taille du couteau ou la dureté du matériau afin d'améliorer la finition, de prolonger la durée de vie des mèches et d'augmenter le rendement. La vitesse peut être modifiée en tournant le Cadran de commande VERS LA DROITE pour augmenter la vitesse ou VERS LA GAUCHE pour réduire la vitesse, comme cela est indiqué sur le bâti (Fig. 1). Il est possible de modifier la vitesse pendant que l'outil est en marche. Les numéros de référence sur le cadran facilitent la réinitialisation de la commande à la vitesse désirée.

Le tableau des vitesses indique la relation entre les paramètres de réglage et l'application. Les réglages exacts sont déterminés par l'opérateur en fonction de son expérience et de ses préférences. Le fabricant des mèches peut également avoir fait des recommandations quant à la vitesse d'utilisation de ses mèches.

VALEUR DU PARAMÈTRE DU CADRAN	VITESSE (TR/MN)	APPLICATION
1	10 000	} Bois durs, métaux non ferreux, couteaux et mèches de grand diamètre
2	13 000	
3	16 000	
4	19 000	} Bois doux, plastiques, dessus de comptoirs, couteaux et mèches de faible diamètre
5	22 000	
6	25 000	

FIG. 12



JOINT DE CORDON ORIENTABLE

Le cordon d'alimentation comporte un joint articulé à rotule permettant d'offrir plus de flexibilité pour le positionnement du cordon. Il est monté près du centre à l'arrière de l'outil afin de minimiser le nombre des situations dans lesquelles le cordon d'alimentation est directement au-dessus d'une ligne de toupillage prévue.

FONCTION DE DÉMARRAGE EN DOUCEUR

Le contrôle électronique de la rétroaction minimise le couple de torsion qui est habituel dans les grandes toupies en limitant la vitesse à laquelle le moteur démarre.

CIRCUIT CONSTANT RESPONSE™

Le circuit Constant Response™ du tachomètre de la toupie à rétroaction contrôle et ajuste l'alimentation électrique afin de maintenir la vitesse de rotation désirée pour assurer un rendement et un contrôle uniformes.

Instructions pour l'utilisation

INTERRUPTEUR(S) DE MARCHE/ARRÊT MODULAIRES DE « COMMANDE DU DÉCLENCHEMENT » DE LA TOUPIE – UNE EXCLUSIVITÉ BOSCH

Vos bases du système de toupillage modulaire Bosch MR23EVS comportent une exclusivité Bosch – un « système de commande du déclenchement » qui est différent de tous les autres systèmes de toupillage modulaires professionnels.

Plutôt que de devoir étendre votre main pour faire basculer un interrupteur situé en haut du moteur de la toupie, le système de commande du déclenchement de Bosch vous permet de mettre la toupie en marche ou de l'arrêter en utilisant un interrupteur de déclenchement intégré à la poignée de la base – un type d'interrupteur et un emplacement comparables à presque tous les autres types d'outils électriques. Non seulement l'interrupteur de déclenchement est présente sur la base pour fonctionnement en plongée, mais il l'est également dans la base fixe, grâce à un système de contact électrique coulissant du moteur à la base.

De plus, l'interface électronique brevetée du système de commande du déclenchement de Bosch entre le moteur et la base est à basse tension (seulement 5 V c.c., comme les piles ordinaires) et est en interne, ce qui élimine le besoin de câbles externes entre le moteur et la base qui pourraient être gênants.

Un autre avantage du système de commande du déclenchement de la toupie de Bosch est son « système intelligent de détection de la base », qui est caractérisé par les comportements suivants :

- Base requise pour permettre le fonctionnement – le moteur ne peut pas être activé s'il n'est pas installé dans l'une des bases de toupie Bosch de la série MR23EVS.
- Le moteur ne s'activera pas pendant l'installation – le moteur ne peut pas être mis en marche accidentellement par l'insertion d'une base dont la gâchette de déclenchement a déjà été activée (avec ou sans bouton de verrouillage engagé).
- Activation par l'interrupteur de la table de toupie – la pratique standard qui est recommandée dans l'industrie pour l'utilisation de toupies sur de tables de toupie est que le cordon d'alimentation de la toupie soit branché dans une prise d'alimentation située sur un ensemble d'interrupteur du devant de la toupie et que la toupie soit mise en marche et verrouillée en position de marche. Puis la toupie peut être mise en marche et arrêtée au moyen de l'interrupteur de la table de toupie. Les toupies de la série MR23EVS sont conçues pour rendre cette pratique possible.

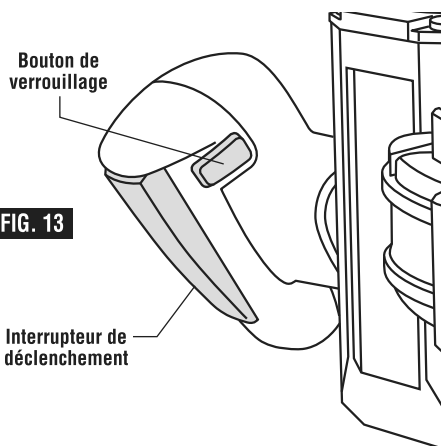


FIG. 13

Bouton de verrouillage

Interrupteur de déclenchement

⚠ AVERTISSEMENT

- Si le moteur MR23EVS est déjà installé dans une de ses bases et
- Si la gâchette de déclenchement est engagée (avec ou sans le bouton de verrouillage engagé)
- Et si le cordon est alors branché dans une prise de courant sous tension, la toupie se met en marche.

Ne branchez jamais la toupie dans une prise de courant sous tension (sauf si elle est installée correctement sur une table de toupie) pendant que vous appuyez sur la gâchette (avec ou sans le bouton de verrouillage engagé), parce que la toupie se mettrait tout de suite en marche.

POUR METTRE L'OUTIL EN MARCHÉ (ON) : tirez simplement sur l'interrupteur de déclenchement dans la poignée de droite.

POUR ARRÊTER L'OUTIL (OFF) : relâchez simplement l'interrupteur de déclenchement.

Votre toupie est également pourvue d'un bouton de verrouillage en position de marche qui est situé juste au-dessus de la gâchette et qui permet un fonctionnement continu sans avoir à tenir la gâchette enfoncée manuellement.

POUR VERROUILLER L'INTERRUPTEUR EN POSITION DE MARCHÉ : compressez la gâchette à fond, enfoncez le bouton et relâchez la gâchette.

POUR DÉVERROUILLER L'INTERRUPTEUR : compressez la gâchette et relâchez-la sans appuyer sur le bouton de verrouillage en état de marche.

⚠ AVERTISSEMENT Si le bouton de verrouillage en état de marche est enfoncé continuellement, la gâchette ne peut pas être relâchée.

PÉNÉTRATION DU MATÉRIAU DE L'OUVRAGE

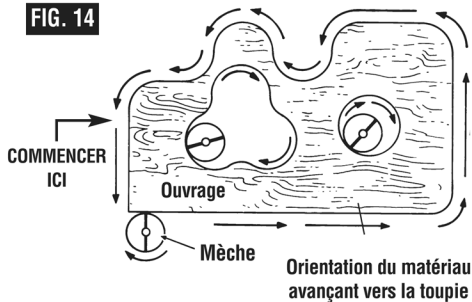
Pour le meilleur contrôle et les meilleurs résultats possibles, laissez toujours la toupie terminer sa mise en marche et son passage progressif à la vitesse désirée (conformément à la valeur fixée sur le cadran de commande de la vitesse) avant de permettre à la mèche d'entrer en contact avec l'ouvrage.

Le respect de ces instructions prolongera la durée de vie de l'interrupteur et du moteur, et il améliorera considérablement la qualité de votre travail.

ORIENTATION DU MATÉRIAU AVANÇANT VERS LA TOUPIE

Vu depuis le dessus de la toupie, la mèche tourne dans le sens des aiguilles d'une montre, et les bords coupants sont orientés dans le même sens. Par conséquent, la façon la plus efficace de couper consiste à orienter le matériau de manière à ce que la mèche tourne en s'engageant dans l'ouvrage, et non dans l'autre sens. La Figure 14 montre un avancement correct du matériau pour divers types de coupes.

FIG. 14



VITESSE D'AVANCE

La vitesse d'avance appropriée dépend de la dureté du matériau et de la taille de la coupe. Les meilleurs résultats sont obtenus quand la profondeur de la coupe et la vitesse d'avance permettent au moteur de fonctionner à la vitesse correcte. Faites avancer le matériau vers la toupie à une vitesse modérée. Faites-le avancer de façon régulière et uniforme (sans forcer). Vous découvrirez très vite les sons et les sensations tactiles produites par la toupie quand elle fonctionne de façon optimale.

CONSEILS RELATIFS AU TOUPILLAGE

- Utilisez toujours les mèches de toupie ayant la longueur de coupe la plus courte qui soit nécessaire pour produire la coupe désirée. Ceci minimisera les vibrations de la mèche de la toupie.
- Vérifiez toujours que le mandrin à douille est solidement serré avant de vous en servir.
- Les matériaux tendres nécessitent une vitesse plus rapide que les matériaux durs.
- La toupie risque de caler si elle est utilisée de façon incorrecte ou si elle est surchargée.
- Réduisez la vitesse d'avance pour empêcher tout risque d'endommagement de l'outil.

- Pour vous assurer que vos réglages de profondeur et de vitesse produiront les résultats escomptés, testez ces paramètres en toupillant des résidus de matériau avant de toupiller l'ouvrage réel.
- Si la toupie est difficile à contrôler, surchauffe, fonctionne très lentement ou produit une coupe imparfaite, examinez ces cinq causes possibles :
 1. Sens de l'avance incorrect – difficile à contrôler.
 2. Avance trop rapide – surcharge le moteur.
 3. Mèche émoussée – surcharge le moteur.
 4. La coupe est trop large pour une seule passe – surcharge le moteur.
 5. Avance trop lente – cause des brûlures causées par le frottement sur l'ouvrage.

Lorsque vous toupillez des coupes profondes, il est préférable de faire une succession de coupes progressivement plus profondes plutôt que d'essayer de toupiller toute la profondeur voulue en une seule passe. La profondeur appropriée pour la coupe dépendra du type de matériau et du type de couteau qui est utilisé. La base pour fonctionnement en plongée MRP01 et sa tourelle à multiples étages sont idéales pour des opérations de toupillage en multiples passes. (Voir la section intitulée « RÉGLAGE DE LA PROFONDEUR AVEC LA BASE POUR FONCTIONNEMENT EN PLONGÉE ».)

SORTIE DU MATÉRIAU DE L'OUVRAGE

Pour le meilleur contrôle et les meilleurs résultats possibles, déplacez toujours la toupie de façon que la mèche sorte complètement de l'ouvrage avant de mettre la toupie hors tension.

Le respect de ces instructions prolongera la durée de vie de l'interrupteur et du moteur, et il améliorera considérablement la qualité de votre travail.

PROTECTION CONTRE LES SURCHARGES

Au cas improbable de surchauffe du moteur, ce dernier s'arrêtera automatiquement. Pour le remettre en marche, relâchez l'interrupteur de marche/arrêt, puis débranchez le cordon d'alimentation de la prise de courant et rebranchez-le ensuite, et enfin remettez l'outil en marche de la manière normale. (Lorsque la toupie est montée sur une table de toupie et est connectée à l'interrupteur de la table, et quand le bouton de verrouillage est engagé, pour remettre en marche il suffit de mettre l'interrupteur de la table sur arrêt (off), puis à nouveau sur marche (on).)

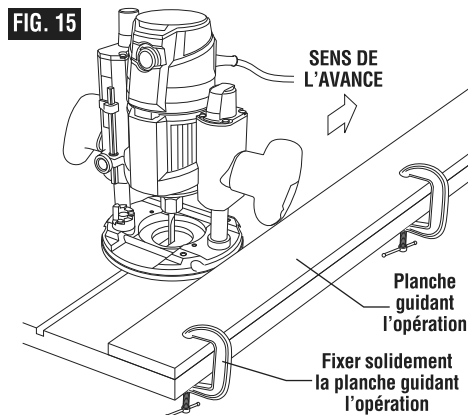
Laissez le moteur refroidir pendant 30 secondes en le faisant fonctionner à vide. Si le dispositif de protection contre les surcharges arrête l'outil à plusieurs reprises, cela signifie qu'une force excessive cause la surcharge de l'outil. Ne poussez pas aussi fort et laissez l'outil faire le travail.

Guidage de la toupie

La toupie peut être guidée à l'intérieur de l'ouvrage de plusieurs façons différentes. La méthode que vous utilisez dépend bien entendu des besoins de votre tâche spécifique et de la commodité de l'opération.

De nombreuses opérations de toupillage visant à produire des contours peuvent être effectuées en utilisant des mèches ayant des paliers.

Pour des opérations de toupillage telles que la formation de rainures ou d'entailles, il est souvent nécessaire de guider l'outil le long d'une ligne parallèle à un régle. Une méthode permettant d'obtenir une ligne droite est de fixer solidement une planche ou un autre objet à bord droit à la surface de travail, et de guider ensuite le bord du support de la base de la toupie le long de ce chemin (Fig. 15).



GUIDE-TOUPIE DELUXE

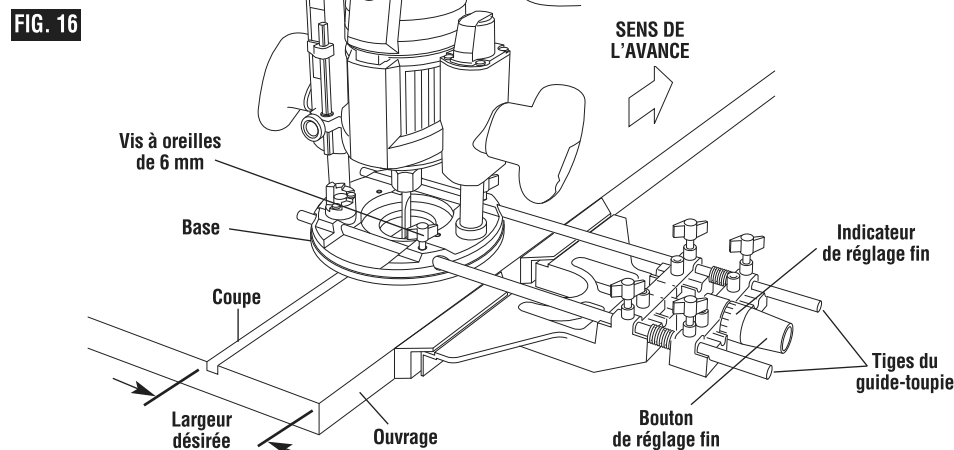
Le guide-toupie Bosch deluxe est un accessoire en option qui guidera la toupie pour qu'elle soit parallèle à un régle ou il vous permettra de créer des cercles et des arcs.

Le guide-toupie deluxe est fourni avec deux tiges et des vis pour installer le guide (Fig. 16). De plus, il comporte un bouton de réglage fin et un indicateur de réglage fin permettant de positionner de façon précise le guide du bord par rapport à la mèche. Lorsque le guide est installé et réglé correctement, il faut faire avancer l'ouvrage normalement vers la mèche, en

maintenant toujours le guide en contact avec le bord de l'ouvrage. Le guide-toupie deluxe peut aussi être positionné directement en dessous de la base de la toupie pour des opérations au cours desquelles une coupe doit être effectuée près du bord, ou sur le bord même, de l'ouvrage.

Le guide-toupie deluxe inclut une hotte d'aspiration de la poussière et l'adaptateur de tuyau flexible d'aspirateur VAC002.

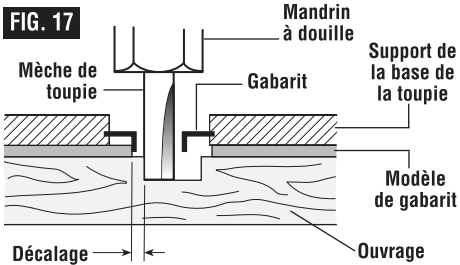
Pour obtenir des instructions complètes sur l'installation et le fonctionnement, veuillez consulter les instructions qui sont jointes à cet accessoire.



GABARIT DE GUIDAGE

Cette toupie peut également être utilisée avec le système de gabarit de guidage à changement rapide en option, une autre exclusivité Bosch, qui saisit fermement les guides dans un anneau à ressort. À la différence des gabarits de guidage conventionnels, il n'y a pas d'anneau fileté qui risquerait de se détacher pendant le toupillage.

Les gabarits de guidage sont utilisés avec un certain nombre d'accessoires spéciaux, tels que des gabarits pour articulations, qui figurent dans votre catalogue BOSCH. En outre, des gabarits spéciaux sont facilement préparés pour faire des coupes répétitives, pour des motifs spéciaux, des incrustations et d'autres applications. Un modèle de gabarit peut être fabriqué avec du contre-plaqué, du bois dur, du métal ou même du plastique, et ce modèle peut être découpé avec une toupie, une scie cloche ou un autre outil de coupe approprié. Rappelez-vous que le modèle devra être



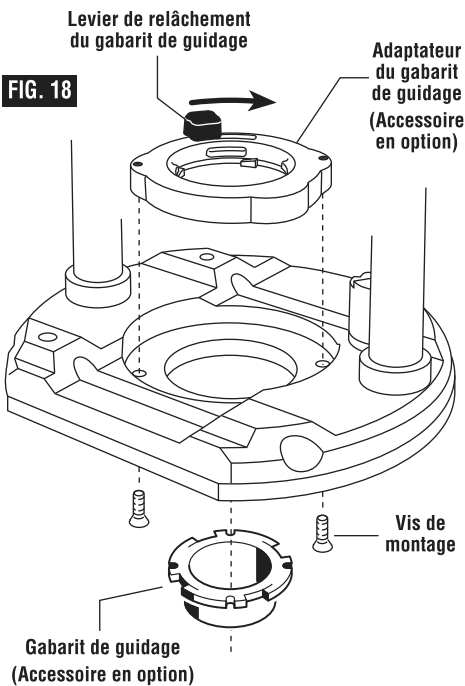
construit de manière à compenser la distance entre la mèche de la toupie et le gabarit de guidage (le « décalage »), étant donné que la taille de l'ouvrage final sera différente de celle du gabarit par cette valeur, en raison de la position de la mèche (Fig. 17).

INSTALLATION DE L'ADAPTATEUR DE GABARIT DE GUIDAGE

(Non inclus, disponible comme accessoire)

Placez l'adaptateur de guide de gabarit au-dessus des orifices du centre du support de la base, et alignez les deux orifices filetés au fond de l'adaptateur avec les orifices fraisés dans le support de la base. Assujettissez l'adaptateur au moyen des vis fournies à cet effet. Notez que l'adaptateur est réversible, et que le levier de relâchement peut donc être positionné en fonction des besoins (Fig. 18).

1. Rétractez le levier de relâchement du gabarit de guidage.
2. Alignez les écorchés sur le gabarit de guidage avec les languettes du fond de l'adaptateur du gabarit de guidage.
3. Insérez le gabarit de guidage.
4. Relâchez le levier pour fixer le gabarit de guidage en place.



CENTRAGE DU SUPPORT DE LA BASE OU DES GABARITS DE GUIDAGE

Votre toupie incorpore le modèle de centrage de précision de Bosch. Le support de sa base est centré de façon précise à l'usine. Ceci permet de positionner la mèche au centre du support de la base et des gabarits de guidage en option.

Le centrage de précision vous permet de vous servir du bord du support de la base ou des gabarits de guidage pour suivre de près des dispositifs de guidage fixés sur l'ouvrage tels que des réglets, des modèles et des queues d'aronde sans avoir à vous inquiéter du « dérapage » de la mèche par rapport au trait de coupe prévu pour quelque raison que ce soit, y compris l'orientation des poignées de la toupie par rapport au dispositif de guidage fixé sur l'ouvrage.

Pour recentrer de la façon la plus précise possible le support de la base ou les gabarits de guidage, attachez le support de la base en utilisant le dispositif de centrage Bosch RA1151. Suivez les étapes 1 à 8 ci-dessous (Fig. 19, 20).

1. Si un gabarit de guidage doit être centré, installez l'adaptateur du gabarit de guidage et le gabarit de guidage (compléments en option) comme cela est décrit par ailleurs dans ce mode d'emploi.
2. Positionnez le support de la base de façon que ses orifices pour vis à tête tronconique soient au-dessus de la série correspondante d'orifices filetés dans la base.
3. Insérez les vis à tête tronconique à travers le support de la base et serrez-les jusqu'à ce qu'elles soient solidement attachées, mais en permettant tout de même au support de la base de bouger.
4. Préparez le dispositif de centrage :
 - Utilisez le bout étroit de l'arbre en acier lorsque vous devez l'insérer dans la douille de 1/4 po, ou le bout plus large du cône lorsque vous devez l'insérer dans la douille de 1/2 po.
 - Lorsque vous centrez un support de base ou un gabarit de guidage qui a une ouverture de plus de 1/2 po, faites glisser le manchon en plastique large au-dessus de l'arbre en acier.
5. Faites glisser le cône de centrage à travers le support de la base ou le gabarit de guidage jusqu'à ce qu'il soit à l'intérieur de la douille. Serrez l'écrou de la douille avec les doigts pour immobiliser le cône de centrage.
6. Appuyez légèrement sur le cône de centrage vers l'intérieur du support de la base ou du gabarit de guidage pour le centrer.
7. Serrez les vis à tête tronconique. Retirez le cône de centrage.
8. Le centrage de précision du support de la base ou du gabarit de guidage est maintenant terminé.

FIG. 19

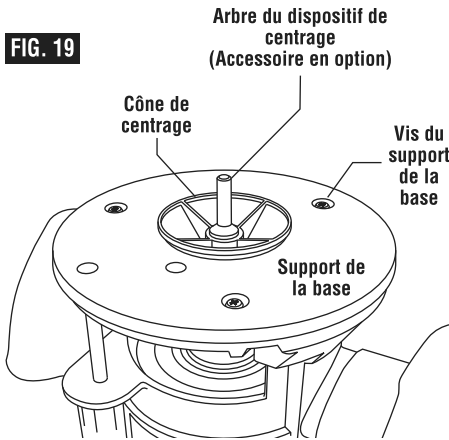
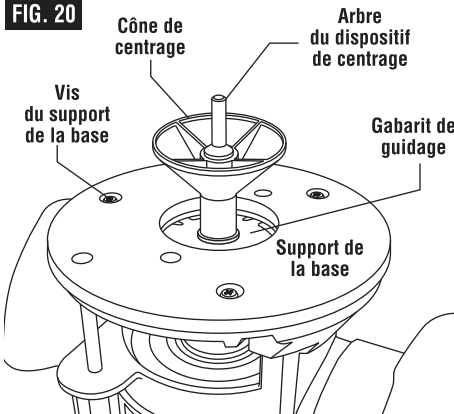


FIG. 20



TAILLE MAXIMUM DE LA MÈCHE/DÉS ÉLÉMENTS CROUPANTS POUR LES GABARITS DE GUIDAGE

Lorsque vous utilisez un gabarit de guidage, employez seulement une mèche de toupie avec des éléments coupants d'un diamètre inférieur de 1/16 po au diamètre intérieur du gabarit de guidage, comme indiqué au tableau ci-dessous.

UTILISATION AVEC DES GABARITS DE GUIDAGE FILETÉS

Un accessoire additionnel, l'adaptateur RA110, est également disponible en option. Il permet d'employer des gabarits de guidage filetés conventionnels avec le système à relâchement rapide de Bosch.

Gabarit de guidage Bosch	Profondeur de la douille A	Diamètre extérieur B	Diamètre intérieur B	Diamètre max. de la mèche/de l'élément coupant
RA1101	3/16 po	5/16 po	1/4 po	3/16 po
RA1103	9/64 po	5/16 po	17/64 po	13/64 po
RA1105	9/64 po	7/16 po	3/8 po	5/16 po
RA1107	5/16 po	7/16 po	3/8 po	5/16 po
RA1109	7/16 po	1/2 po	13/32 po	11/32 po
RA1111	3/16 po	5/8 po	17/32 po	15/32 po
RA1113	1/2 po	5/8 po	17/32 po	15/32 po
RA1115	3/16 po	3/4 po	21/32 po	19/32 po
RA1117	31/64 po	13/16 po	5/8 po	9/16 po
RA1119	31/64 po	1 po	25/32 po	21/32 po
RA1121	7/16 po	1-3/8 po	1-19/64 po	1-15/64 po

Utilisation avec une table de toupie

Votre toupie peut également être utilisée avec une table de toupie. La base fixe MR001 est conçue de manière à permettre des réglages faciles de la profondeur dans une table.

⚠ MISE EN GARDE Il n'est pas recommandé d'utiliser la base pour fonctionnement en plongée MRP01 avec une table de toupie. Une telle utilisation risquerait d'endommager la base de la toupie pour fonctionnement en plongée.

Pour ne pas avoir besoin d'installer votre propre base de toupie sur la table de toupie et de la reconvertir ultérieurement pour une utilisation sans la table, Bosch offre des bases fixes MRF01 additionnelles séparément, de telle sorte qu'une base peut être attachée en permanence à votre table de toupie. Vous aurez ainsi votre autre base fixe qui sera toujours disponible pour un emploi sans la table.

FIXATION DE LA BASE SUR UNE PLAQUE DE MONTAGE

Vous pouvez attacher la base MRF01 à la plaque de montage de votre table de toupie en utilisant les trois vis pour orifices M4 fournies. La configuration à trois orifices sur le fond de la base est conforme à la configuration à trois orifices standard de l'industrie pour les toupies professionnelles. Selon l'épaisseur de votre table de toupie ou de la plaque de montage de votre table de toupie, vous aurez peut-être besoin d'acheter des vis M4 plus longues avec des têtes coniques (Fig. 21).

Si la plaque de montage de votre table de toupie n'a pas de trous fraisés dans l'une quelconque de ces configurations, il vous faudra déterminer les emplacements des trous, les percer et les fraiser, et également localiser et percer un trou pour la clé de réglage au-dessus de la table.

Utilisation avec une table de toupie

RACCORDEMENT DE LA TOUPIE ET DE L'INTERRUPTEUR DE LA TABLE DE TOUPIE

Pour préparer l'ensemble en vue de l'emploi de l'interrupteur :

1. Assurez-vous que l'interrupteur de la table de la toupie et l'interrupteur de la toupie sont tous les deux hors tension.
2. Branchez le cordon de l'interrupteur de la table de toupie dans la prise de courant murale.
3. Branchez la toupie dans la prise de type « en tire-bouchon » dans l'interrupteur de la table de la toupie.
4. Verrouillez l'interrupteur de la toupie en état de marche ; comprimez la gâchette, appuyez sur le bouton de verrouillage et relâchez la gâchette.
5. Utilisez l'interrupteur de la table de la toupie pour mettre la toupie sous tension et hors tension, suivant le cas.

RÉGLAGE DE LA PROFONDEUR

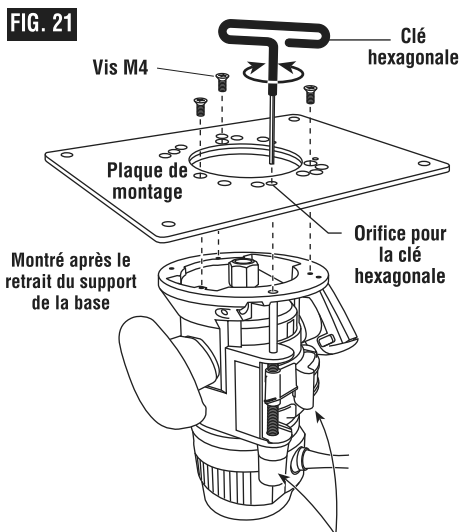
(Voir pages 37 & 38)

AVANCE DE L'OUVRAGE SUR UNE TABLE DE TOUPIE

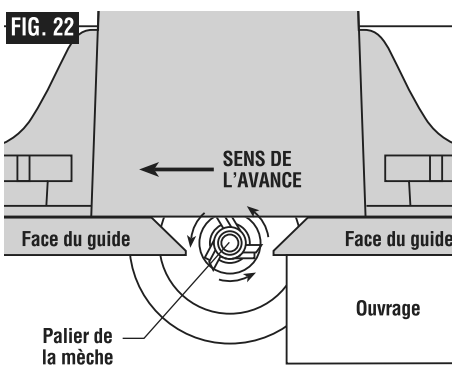
Utilisez toujours le guide ou la broche de démarrage de votre table de toupie ainsi que le dispositif de protection approprié, et suivez les instructions du mode d'emploi de la table de toupie. Faites TOUJOURS avancer l'ouvrage de la droite vers la gauche à l'avant de la mèche. Sur les tables de toupie Bosch, le sens correct de l'avance de l'ouvrage est également montré sur le logement du guide et sur les planches à languettes quand elles ont été installées correctement (Fig. 22).

Dans la mesure du possible, lorsque vous utilisez le guide, utilisez un bâton pour faire avancer l'ouvrage, tout particulièrement lorsque vous travaillez avec des ouvrages étroits.

Pour obtenir des instructions complètes sur le fonctionnement d'une toupie avec une table de toupie, veuillez vous référer aux instructions qui accompagnent la table de toupie.



Le levier de fixation à relâchement rapide et les commandes de réglage de la profondeur doivent être orientés face à l'avant de la table de la toupie.



VUE DEPUIS LE DESSUS

REMARQUE : pour plus de clarté, le dispositif de protection et la planche à languettes ont été éliminés du dessin.

Extraction de la poussière de la toupie

⚠ AVERTISSEMENT Lisez et comprenez ces instructions et le mode d'emploi de l'outil pour pouvoir utiliser ces accessoires.

Ne vous approchez pas de l'endroit où se trouve la mèche pendant que la toupie est en marche ou branchée (ce qui est indiqué par les DEL allumées).

⚠ MISE EN GARDE Pour éviter les enchevêtrements de tuyaux, n'utilisez pas cette hotte d'extraction de la poussière en même temps qu'une autre hotte aspirante pour la poussière.

EXTRACTION DE LA POUSSIÈRE DE LA BASE POUR FONCTIONNEMENT EN PLONGÉE

Cette hotte d'extraction de la poussière est conçue pour emploi dans la base pour fonctionnement en plongée (MRP001) lorsque le toupillage est effectué au milieu de l'ouvrage, par exemple lorsque vous créez des fentes ou lorsque vous faites du toupillage pour des incrustations. Si vous avez un système d'aspirateur industriel fixe, vous pouvez attacher la hotte d'extraction de la poussière pour améliorer la visibilité, la précision et le rendement, en particulier si vous devez faire du toupillage à main libre.

Pour l'attacher, positionnez comme illustré et assujettissez l'adaptateur à la base au moyen des vis à serrage à main fournies (Fig. 23).

La hotte d'extraction de la poussière peut également être installée de façon que la sortie du tuyau soit orientée vers le devant de l'outil.

EXTRACTION DE LA POUSSIÈRE DE LA BASE FIXE

Cette hotte d'extraction de la poussière est conçue pour emploi avec la base fixe MRF001. Elle est installée différemment selon que l'adaptateur du gabarit de guidage en option est installé ou non.

- Si l'adaptateur du gabarit de guidage est installé, positionnez la pièce de recouvrement comme illustré, et assujettissez-la à la base au moyen des vis à serrage à main fournies (Fig. 24).
- Si aucun adaptateur de gabarit de guidage n'est installé, commencez par attacher l'anneau d'étanchéité latéral en le faisant tourner sur le bas de la pièce de recouvrement. Puis positionnez l'ensemble de hotte comme illustré et assujettissez-le à la base au moyen des vis à serrage à main fournies (Fig. 26).
- La hotte d'extraction de la poussière de la base fixe peut également être installée de façon que la sortie du tuyau soit orientée vers le devant de l'outil.

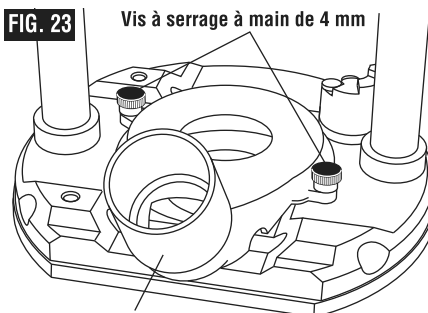


FIG. 23 Vis à serrage à main de 4 mm
Hotte d'extraction de la poussière
(Accessoire en option)

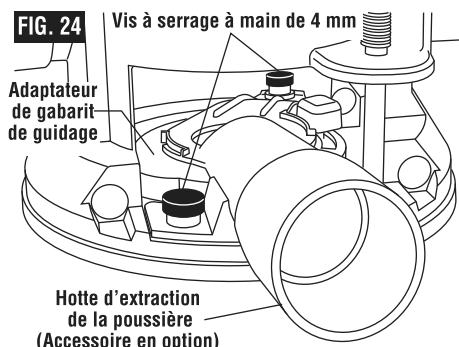


FIG. 24 Vis à serrage à main de 4 mm
Adaptateur de gabarit de guidage
Hotte d'extraction de la poussière
(Accessoire en option)

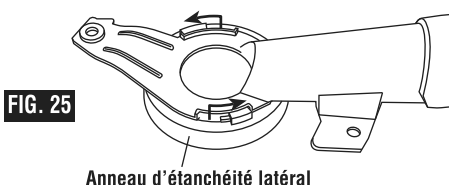


FIG. 25 Anneau d'étanchéité latéral

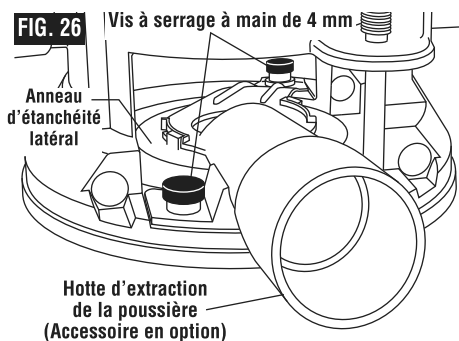


FIG. 26 Vis à serrage à main de 4 mm
Anneau d'étanchéité latéral
Hotte d'extraction de la poussière
(Accessoire en option)

Extraction de la poussière de la toupie

EXTRACTION DE LA POUSSIÈRE LORS D'OPÉRATIONS DE CROQUAGE DES BORDS

Cette hotte d'extraction de la poussière (accessoire en option) est utilisée pour le ramassage de la poussière lors d'opérations de croquage des bords.

Vous pouvez attacher la hotte à plusieurs endroits différents pour le croquage des bords en fonction de vos besoins ou de vos préférences. Cette hotte est attachée au moyen de deux des orifices pour vis qui sont situés sur la base de la toupie et servent à attacher le support de la base de la toupie. Choisissez l'emplacement désiré pour la hotte. Desserrez et retirez les deux vis de la base de la toupie, et attachez la hotte d'extraction de la poussière – au-dessus du support de la base de la toupie – en utilisant les vis fournies avec la hotte. Serrez les vis à fond.

FIG. 27

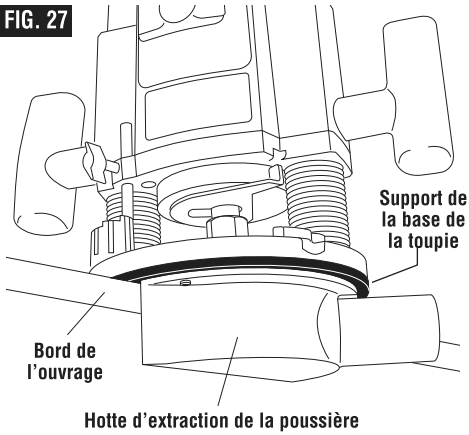


FIG. 29
AUTRES BASES

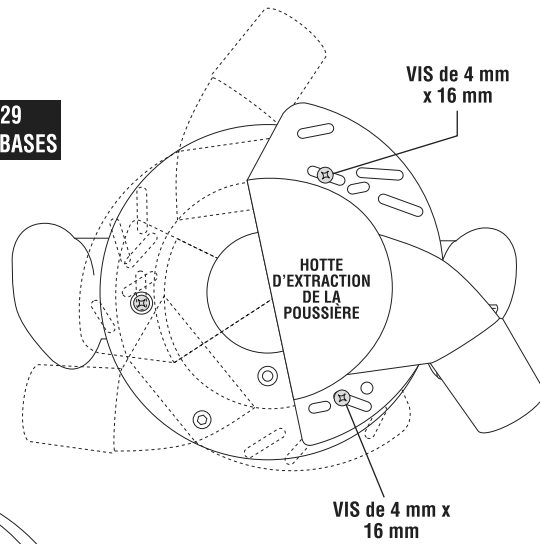
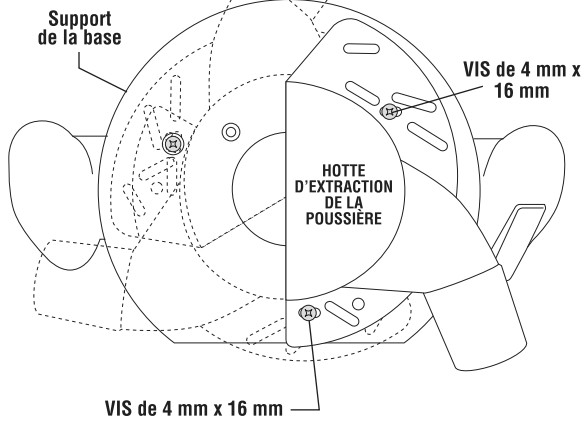


FIG. 28
BASE POUR
FONCTIONNEMENT
EN PLONGÉE



Maintenance

Service après-vente

⚠ AVERTISSEMENT Une maintenance préventive réalisée par des personnes non autorisées pourrait causer le positionnement incorrect de fils et autres composants internes, ce qui risquerait de causer des dangers graves. Nous recommandons que tout le service après-vente de l'outil soit effectué par un centre de service usine Bosch ou par une station service agréée Bosch.

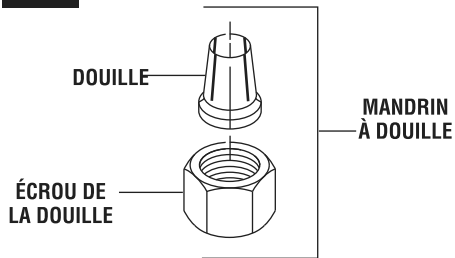
FIXATION DE LA BASE

Si une force de fixation supplémentaire est désirée : utilisez une clé hexagonale de 2,5 mm et tournez la vis de pression LÉGÈREMENT (1/8 de tour ou moins) dans le sens des aiguilles d'une montre, puis serrez pour tester. Ne serrez pas excessivement.

ENTRETIEN DU MANDRIN À DOUILLE

Après avoir retiré la mèche de la toupie, continuez à faire tourner le mandrin à douille dans le sens contraire des aiguilles d'une montre jusqu'à ce qu'il se sépare de l'arbre. Pour assurer une bonne prise, projetez de temps en temps de l'air comprimé dans le mandrin à douille, et nettoyez le cône de l'arbre d'induit avec un mouchoir en papier ou une brosse aux fils fins. Le mandrin à douille est composé de deux éléments, comme illustré (Fig. 30) ; inspectez-le pour vous assurer que la douille est bien installée dans l'écrou du mandrin à douille, et enfitez légèrement à nouveau le mandrin à douille autour de l'arbre d'induit. Remplacez immédiatement les mandrins à douille usés ou endommagés.

FIG. 30



LUBRIFICATION DE L'OUTIL

Votre outil Bosch a été lubrifié de façon appropriée et est prêt à l'emploi. Il est recommandé de graisser à nouveau les outils avec des engrenages en utilisant un lubrifiant à engrenage spécial los de chaque changement des balais.

BALAIS EN CARBONE

Les balais et le commutateur dans votre outil ont été conçus pour pouvoir fonctionner pendant de nombreuses heures sans aucun problème. Pour assurer le maintien du rendement optimum du moteur, nous recommandons d'inspecter les balais une fois tous les deux à six mois. Seul des balais de rechange Bosch authentiques conçus spécialement pour votre outil doivent être utilisés.

PALIER

Les paliers qui commencent à faire du bruit (en cas de charge lourde ou en cas de coupe d'un matériau très abrasif) doivent être remplacés sans attendre pour éviter une surchauffe ou une panne du moteur.

Nettoyage

⚠ AVERTISSEMENT Pour éviter les accidents, débranchez toujours l'outil de la prise de courant avant de le nettoyer ou d'effectuer une quelconque opération de maintenance. La façon la plus efficace de nettoyer cet outil est avec de l'air comprimé. **Portez toujours des lunettes étanches lorsque vous nettoyez des outils avec de l'air comprimé.**

Les orifices de ventilation et les leviers des interrupteurs doivent être gardés propres, et il ne faut pas laisser des corps étrangers y adhérer. Ne tentez pas de les nettoyer en insérant des objets pointus dans les ouvertures.

Si une quantité significative de poussière s'accumule sur la connexion électrique de la commande de 5 V du moteur à la base, que ce soit du côté de la base ou de celui du moteur, la poussière pourra en être retirée au moyen d'un aspirateur, par la projection d'un jet d'air comprimé ou avec un chiffon doux.

⚠ MISE EN GARDE Certains produits de nettoyage et solvants causent des dommages aux pièces en plastique. Citons parmi ceux-ci : l'essence, le tétrachlorure de carbone, les solvants de nettoyage au chlore, l'ammoniac et les détergents ménagers qui contiennent de l'ammoniac.

Accessoires

⚠ AVERTISSEMENT S'il est indispensable d'utiliser un cordon de rallonge, il faut se servir d'un cordon d'alimentation ayant des conducteurs de calibre adéquat et étant capable de transporter tout le courant électrique nécessaire pour votre outil. Ceci protégera contre les chutes de tension excessives, les coupures d'alimentation ou les surchauffes. Les outils mis à la terre doivent utiliser des cordons de rallonge à trois fils qui ont des fiches à trois broches pour des prises à trois broches.

REMARQUE : plus le chiffre du calibre du fil est petit, plus le cordon est lourd.

CALIBRES RECOMMANDÉS DES CORDONS DE RALLONGE OUTILS FONCTIONNANT SUR COURANT ALTERNATIF DE 120 VOLTS

Intensité nominale de l'outil	Calibre du cordon (A.W.G.)				Taille des fils en mm ²			
	Longueur du cordon en pieds				Longueur du cordon en mètres			
	25	50	100	150	15	30	60	120
3-6	18	16	16	14	0,75	0,75	1,5	2,5
6-8	18	16	14	12	0,75	1,0	2,5	4,0
8-10	18	16	14	12	0,75	1,0	2,5	4,0
10-12	16	16	14	12	1,0	2,5	4,0	—
12-16	14	12	—	—	—	—	—	—

Mandrin à douille de 1/4 po *

Mandrin à douille de 1/2 po *

Clé à arbre de 16 mm *

Clé à écrou de douille de 24 mm *

Mandrin à douille de 3/8 po **

Mandrin à douille de 8 mm **

Guide de toupie deluxe **

Dispositif de centrage **

Mallette de transport **

Hottes d'extraction de poussière **

Hotte d'extraction de la poussière pour opérations de croquage de bords **

Tables de toupie **

Adaptateur du gabarit de guidage **

Gabarits de guidage à relâchement rapide **

Adaptateur pour gabarits de guidage filetés **

Tourelle à butée en profondeur réglable *

Mèche de toupie **

(* = équipement standard)

(** = accessoires en option)

Advertencias generales de seguridad para herramientas eléctricas



ADVERTENCIA Lea todas las advertencias de seguridad y todas las instrucciones. Si no se siguen las advertencias e instrucciones, el resultado podría ser sacudidas eléctricas, incendio y/o lesiones graves.

GUARDE TODAS LAS ADVERTENCIAS E INSTRUCCIONES PARA REFERENCIA FUTURA

La expresión "herramienta mecánica" en las advertencias se refiere a su herramienta mecánica alimentada por la red eléctrica (herramienta alámbrica) o su herramienta mecánica alimentada por baterías (herramienta inalámbrica).

Seguridad del área de trabajo

Mantenga el área de trabajo limpia y bien iluminada. Las áreas desordenadas u oscuras invitan a que se produzcan accidentes.

No utilice herramientas mecánicas en atmósferas explosivas, como por ejemplo en presencia de líquidos, gases o polvos inflamables. Las herramientas mecánicas generan chispas que pueden incendiar el polvo o los vapores.

Mantenga alejados a los niños y a las personas que estén presentes mientras esté utilizando una herramienta mecánica. Las distracciones pueden hacerle perder el control de la herramienta.

Seguridad eléctrica

Los enchufes de las herramientas mecánicas deben coincidir con el tomacorriente. No modifique nunca el enchufe de ningún modo. No use enchufes adaptadores con herramientas mecánicas conectadas a tierra (puestas a tierra). Los enchufes no modificados y los tomacorrientes coincidentes reducirán el riesgo de sacudidas eléctricas.

Evite el contacto del cuerpo con las superficies conectadas o puestas a tierra, tales como tuberías, radiadores, estufas y refrigeradores. Hay un aumento del riesgo de sacudidas eléctricas si el cuerpo del operador se conecta o pone a tierra.

No exponga las herramientas mecánicas a la lluvia o a condiciones mojadas. La entrada de agua en una herramienta mecánica aumentará el riesgo de que se produzcan sacudidas eléctricas.

No maltrate el cordón de energía. No use nunca el cordón para transportar la herramienta mecánica, tirar de ella o desenchufarla. Mantenga el cordón alejado del calor, el aceite, los bordes afilados o las piezas móviles. Los cordones dañados o enganchados aumentan el riesgo de que se produzcan sacudidas eléctricas.

Cuando utilice una herramienta mecánica en el exterior, use un cordón de extensión adecuado para uso a la intemperie. La utilización de un cordón adecuado para uso a la intemperie reduce el riesgo de que se produzcan sacudidas eléctricas.

Si es inevitable utilizar una herramienta mecánica en un lugar húmedo, utilice una fuente de energía protegida por un interruptor de circuito accionado por

corriente de pérdida a tierra (GFCI). El uso de un GFCI reduce el riesgo de sacudidas eléctricas.

Seguridad personal

Manténgase alerta, fíjese en lo que está haciendo y use el sentido común cuando esté utilizando una herramienta mecánica. No use una herramienta mecánica cuando esté cansado o bajo la influencia de drogas, alcohol o medicamentos. Un momento de distracción mientras esté utilizando herramientas mecánicas podría causar lesiones corporales graves.

Use equipo de protección personal. Use siempre protección de los ojos. El equipo de protección, como por ejemplo una máscara antipolvo, calzado de seguridad antideslizante, casco o protección de oídos, utilizado para las condiciones apropiadas, reducirá las lesiones corporales.

Evite el arranque accidental. Asegúrese de que el interruptor esté en la posición de apagado antes de conectar la herramienta a la fuente de energía y / o al paquete de batería, levantar la herramienta o transportarla. Transportar herramientas mecánicas con un dedo en el interruptor o encender herramientas mecánicas que tengan el interruptor en la posición de encendido invita a que se produzcan accidentes.

Quite todas las llaves de ajuste o de tuerca antes de encender la herramienta mecánica. Una llave de tuerca o de ajuste que se deje colocada en una pieza giratoria de la herramienta mecánica podría causar lesiones corporales.

No intente alcanzar demasiado lejos. Mantenga un apoyo de los pies y un equilibrio apropiados en todo momento. Esto permite controlar mejor la herramienta mecánica en situaciones inesperadas.

Vístase adecuadamente. No use ropa holgada ni alhajas holgadas. Mantenga el pelo, la ropa y los guantes alejados de las piezas móviles. La ropa holgada, las alhajas holgadas o el pelo largo pueden quedar atrapados en las piezas móviles.

Si se proporcionan dispositivos para la conexión de instalaciones de extracción y recolección de polvo, asegúrese de que dichas instalaciones estén conectadas y se usen correctamente. El uso de dispositivos de recolección de polvo puede reducir los peligros relacionados con el polvo.

Uso y cuidado de las herramientas mecánicas

No fuerce la herramienta mecánica. Use la herramienta mecánica correcta para la aplicación que desee realizar. La herramienta mecánica correcta hará el trabajo mejor y con más seguridad a la capacidad nominal para la que fue diseñada.

No use la herramienta mecánica si el interruptor no la enciende y apaga. Toda herramienta mecánica que no se pueda controlar con el interruptor es peligrosa y debe ser reparada.

Desconecte el enchufe de la fuente de energía y/o el paquete de batería de la herramienta mecánica antes de hacer cualquier ajuste, cambiar accesorios o almacenar herramientas mecánicas. Dichas medidas preventivas de seguridad reducen el riesgo de arrancar accidentalmente la herramienta mecánica.

Guarde las herramientas que no esté usando fuera del alcance de los niños y no deje que personas que no estén familiarizadas con la herramienta mecánica o con estas instrucciones utilicen la herramienta. Las herramientas mecánicas son peligrosas en manos de usuarios que no hayan recibido capacitación.

Mantenga las herramientas mecánicas. Compruebe si hay piezas móviles desalineadas o que se atoran, si

hay piezas rotas y si existe cualquier otra situación que podría afectar el funcionamiento de la herramienta mecánica. Si la herramienta mecánica está dañada, haga que la reparen antes de usarla. Muchos accidentes son causados por herramientas mecánicas mantenidas deficientemente.

Mantenga las herramientas de corte afiladas y limpias. Es menos probable que las herramientas de corte mantenidas apropiadamente, con bordes de corte afilados, se atoren, y dichas herramientas son más fáciles de controlar.

Utilice la herramienta mecánica, los accesorios, las brocas de la herramienta, etc., de acuerdo con estas instrucciones, teniendo en cuenta las condiciones de trabajo y el trabajo que se vaya a realizar. El uso de la herramienta mecánica para operaciones distintas a aquéllas para las que fue diseñada podría causar una situación peligrosa.

Servicio de ajustes y reparaciones

Haga que su herramienta mecánica reciba servicio de un técnico de reparaciones calificado, utilizando únicamente piezas de repuesto idénticas. Esto asegurará que se mantenga la seguridad de la herramienta mecánica.

Normas de seguridad para fresadoras

SAgarre la herramienta eléctrica por las superficies de agarre con aislamiento, porque puede que el cortador entre en contacto con su propio cable de alimentación. Si se corta un cable que tenga corriente, se puede hacer que las partes metálicas de la herramienta eléctrica que estén al descubierto tengan corriente y causen una descarga eléctrica al operador.

Use abrazaderas u otro modo práctico de asegurar y soportar la pieza de trabajo en una plataforma estable. Si se sujeta la pieza de trabajo con la mano o contra el cuerpo, se crea una situación inestable y es posible que eso cause pérdida de control.

Asegúrese siempre de que la superficie de trabajo esté libre de clavos y otros objetos extraños. Si se corta en un clavo, el resultado puede ser que la broca y la herramienta salten y la broca se dañe.

No sostenga nunca la pieza de trabajo en una mano y la herramienta en la otra cuando esté utilizando la herramienta. No ponga nunca las manos cerca ni debajo de la superficie de corte. Es más seguro sujetar el material con abrazaderas y guiar la herramienta con las dos manos.

No deje nunca la pieza de trabajo sobre superficies duras, como concreto, piedra, etc... La broca de corte que sobresale podría hacer que la herramienta salte.

Use siempre anteojos de seguridad y máscara antipolvo. Utilice la herramienta únicamente en un área bien

ventilada. La utilización de dispositivos de seguridad personal y el trabajo en un entorno seguro reducen el riesgo de lesiones.

Después de cambiar las brocas o hacer cualquier ajuste, asegúrese de que la tuerca del portaherramienta y cualquier otro dispositivo de ajuste estén apretados firmemente. Un dispositivo de ajuste flojo se puede desplazar inesperadamente, causando pérdida de control, y los componentes giratorios flojos serán arrojados violentamente.

No arranque nunca la herramienta cuando la broca esté acoplada en el material. El borde de corte de la broca podría engancharse en el material, causando pérdida de control del cortador.

Sostenga siempre la herramienta con las dos manos durante el arranque. La fuerza de torsión de reacción del motor puede hacer que la herramienta se tuerza.

Cuando frese o corte, el sentido de avance con el borde de corte de la broca en el material es muy importante. Haga avanzar siempre la broca hacia el material en el mismo sentido en que el borde de corte esté saliendo del material (que es el mismo sentido en el cual las virutas son arrojadas). NOTA: Los cortes interiores y exteriores requerirán diferente sentido de avance, consulte la sección sobre avance de la fresadora. El avance de la herramienta en sentido incorrecto hace que el borde de corte de la broca trepe hasta salirse la pieza de trabajo y tire de la

herramienta en el sentido de este avance.

No utilice brocas desafiladas o dañadas. Las brocas afiladas se deben manejar con cuidado. Las brocas dañadas se pueden romper en pedazos durante el uso. Las brocas desafiladas requieren más fuerza para empujar la herramienta, con lo cual posiblemente el resultado sea que la broca se rompa.

No toque nunca la broca durante o inmediatamente después del uso. Después del uso, la broca está dema-

siado caliente como para ser tocada por las manos desnudas.

No deje nunca la herramienta hasta que el motor se haya detenido por completo. La broca que gira se puede enganchar en la superficie y tirar de la herramienta fuera del control del operador.

No utilice nunca brocas que tengan un diámetro de corte más grande que la abertura de la base.

Instrucciones de seguridad adicionales

Un interruptor GFCI y los dispositivos de protección personales como guantes y calzado de goma de electricista mejorarán adicionalmente su seguridad personal.

No utilice herramientas con capacidad nominal sólo para CA con una fuente de alimentación de CC. Aunque puede que parezca que la herramienta funciona, es probable que los componentes eléctricos de la herramienta con capacidad nominal para CA fallen y creen un peligro para el operador.

Mantenga los mangos secos, limpios y libres de aceite y grasa. Los mangos resbalosos no pueden controlar la herramienta eléctrica de manera segura.

Desarrolle un programa de mantenimiento periódico para su herramienta. Cuando limpie una herramienta, tenga cuidado de no desensamblar ninguna parte de la herramienta, ya que es posible colocar incorrectamente o pellizcar los cables internos, o es posible que los resortes del protector de seguridad se monten incorrectamente. Ciertos agentes de limpieza, tales como gasolina, tetracloruro de carbono, amoníaco, etc., pueden dañar las partes de plástico.

Riesgo de lesiones para el usuario. El cable de alimentación debe recibir servicio de ajustes y reparaciones solamente por un Centro de Servicio de

Fábrica Bosch o una Estación de Servicio Bosch Autorizada.

⚠ ADVERTENCIA Ciertos tipos de polvo generados por las operaciones de lijado, aserrado, amolado y taladrado con herramientas eléctricas, así como por otras actividades de construcción, contienen sustancias químicas que se sabe que causan cáncer, defectos de nacimiento y otros daños al sistema reproductor. Algunos ejemplos de estas sustancias químicas son:

- Plomo procedente de pinturas a base de plomo,
- Sílice cristalina procedente de ladrillos y cemento y otros productos de mampostería, y
- Arsénico y cromo procedentes de madera de construcción tratada químicamente.

Su riesgo debido a estas exposiciones varía, dependiendo de la frecuencia con la que haga este tipo de trabajo. Para reducir su exposición a estas sustancias químicas: trabaje en un área bien ventilada y trabaje con equipo de seguridad aprobado, como por ejemplo máscaras antipolvo que estén diseñadas especialmente para detener por filtración las partículas microscópicas.

Normas de seguridad para la mesa de fresadora

Lea y entienda el manual de la herramienta y estas instrucciones para el uso de la mesa con su herramienta. Si no se siguen todas las instrucciones que se indican a continuación, el resultado podría ser lesiones corporales graves.

Ensamble y apriete completamente todos los sujetadores requeridos para la mesa y para montar la herramienta.

No utilice la mesa de fresadora hasta que todos los pasos de ensamblaje e instalación hayan sido completados. Recuerde también comprobar ocasionalmente la base de soporte y la herramienta para asegurarse de que aún esté apretada. Una base de soporte floja es inestable y se puede desplazar durante el uso y causar lesiones graves.

Asegúrese de que la herramienta no esté enchufada en un tomacorriente cuando la instale en la mesa, haga ajustes o cambie brocas. Un arranque accidental de la herramienta puede causar lesiones.

No enchufe el cable de alimentación del motor de la fresadora en un tomacorriente de pared estándar. En lugar de ello, se debe enchufar en el interruptor de la mesa de fresadora. Los interruptores y controles de las herramientas eléctricas tienen que estar al alcance del operador en situaciones de emergencia.

Antes de utilizar la herramienta, asegúrese de que toda la unidad esté colocada sobre una superficie sólida, plana y

nivelada. Se podrían producir lesiones graves si la mesa con la herramienta es inestable y se voltea.

Asegúrese de que el motor de la fresadora esté fijo de manera completa y segura en la base de la fresadora, y compruebe periódicamente el sujetador de la base o el apriete de la fijación. Los dispositivos de ajuste deben estar firmemente apretados. Apriételos según sea necesario, ya que la herramienta se puede aflojar de la base debido a la vibración y se puede caer o fallar inesperadamente cuando se coloque en posición invertida en una mesa.

No utilice la mesa de fresadora si no tiene colocado el protector superior o el protector auxiliar de la broca. Los protectores ayudarán a mantener las manos alejadas de la broca en caso de contacto accidental con la misma.

No ponga nunca los dedos debajo del protector o cerca de la broca que gira. No sostenga nunca la pieza de trabajo en el lado de avance de salida de la broca. Si presiona la pieza de trabajo contra el lado de avance de salida del tope-guía, el resultado puede ser que el material se atore y un posible retroceso que jale la mano hacia atrás, hacia la broca.

Las brocas de fresadora están diseñadas para madera, productos parecidos a la madera y plástico, por ej., Corian o laminados. No están diseñadas para cortar ni conformar metales. Asegúrese de que la pieza de trabajo no contenga clavos, etc., antes de fresar. El corte de un clavo o algo similar hará que los carburos se desprendan, vuelen hacia el lado del operador y posiblemente les golpeen a usted o a las personas que estén presentes.

Escoja la broca apropiada y su velocidad para la aplicación que vaya a realizar. No utilice brocas que tengan un diámetro de corte que exceda la capacidad de la herramienta. Si se sobrecarga la herramienta, el resultado puede ser lesiones corporales o falla de la herramienta.

Posicione y sujete firmemente la broca de fresadora en el mandril portaherramienta antes de hacer cualquier corte. Si la broca se afloja durante la operación, puede salir volando hacia arriba y alejándose de la mesa, y posiblemente golpearlos a usted o a las personas que estén presentes.

No utilice nunca brocas desafiladas o dañadas. Las brocas afiladas se deben manejar con cuidado. Las brocas dañadas se pueden romper en pedazos durante el uso. Las brocas desafiladas requieren más fuerza para empujar la pieza de trabajo, teniendo como resultado posiblemente que la broca se rompa o que el material experimente retroceso.

No recomendamos cortar material que esté combado, oscilante o inestable de alguna otra manera. Si el material está curvado ligeramente pero por lo demás es estable, córtelo con el lado cóncavo contra la mesa o el tope-guía. Si se corta el material con el lado cóncavo hacia arriba o alejado de la mesa, se puede hacer que el material combado u oscilante ruede, haciendo que usted pierda el control, y el resultado podría ser retroceso y lesiones corporales graves.

No arranque nunca la herramienta cuando la broca esté acoplada en el material. El borde de corte de la broca se puede enganchar en el material y causar pérdida de control de la pieza de trabajo.

Haga avanzar la pieza de trabajo contra el sentido de rotación de la broca. La broca gira en sentido contrario al de las agujas del reloj según se ve desde la parte de arriba de la mesa. Si se hace avanzar la pieza de trabajo en sentido incorrecto, el resultado será que la pieza de trabajo "trepe" por la broca, con lo cual se tirará de la pieza de trabajo y posiblemente de las manos del operador hacia la broca que gira.

Utilice palos de empujar, tablas de canto biselado (palos de resorte) montadas vertical y horizontalmente, y otros posicionadores para sujetar la pieza de trabajo y mantener las manos alejadas de la broca que gira. Los cortes de fresadora son cortes ciegos, pero la broca todavía sobresale a través de la mesa y usted debe estar atento a la posición de las manos en relación con la broca que gira.

Se sugiere enfáticamente utilizar soportes auxiliares de avance de entrada y de salida en el caso de piezas de trabajo largas o anchas. Las piezas de trabajo largas pueden voltear la mesa o hacer que ésta se incline si no están completamente soportadas.

Utilice el tope-guía ajustable en aplicaciones de corte recto. Cuando frese a lo largo de un borde completo de la pieza de trabajo, el tope-guía ayudará a mantener la estabilidad.

No coloque el material entre la broca de fresadora y el tope-guía mientras está fresando el borde. Esta colocación puede hacer que el material quede en cuña y haga que el retroceso sea posible.

Las brocas pilotadas junto con el pasador de inicio se utilizan cuando se fresan contornos internos y externos en la pieza de trabajo. Utilice el protector auxiliar de la broca cuando conforme material con el pasador de inicio y brocas pilotadas. El pasador de inicio y el cojinete de la broca pilotada ayudan a mantener el control de la pieza de trabajo.

No coloque el material entre la broca de fresadora pilotada y el pasador de inicio mientras conforma contornos. Esta colocación hará que el material quede en cuña y haga posible el retroceso.

No toque nunca la broca durante el uso o inmediatamente después del mismo. El contacto con una broca que gira causará lesiones y después del uso la broca estará demasiado caliente como para tocarla con las manos desnudas.

No utilice la mesa como banco de trabajo o superficie de trabajo. La mesa no está diseñada para utilizarse como un banco de trabajo o una superficie de trabajo que no sea para fresar material. Si se utiliza para propósitos que no sean fresar, el resultado puede ser daños y que no sea seguro usarla en operaciones de fresado.

No se suba nunca a la mesa ni la use como una escalera de mano o un andamio. Podrían ocurrir lesiones graves si la mesa se voltea o si la herramienta de corte es contactada accidentalmente. No almacene materiales en la mesa ni cerca de ella de manera que sea necesario subirse a la mesa o su base de soporte para alcanzarlos.

Símbolos

IMPORTANTE: Es posible que algunos de los símbolos siguientes se usen en su herramienta. Por favor, estúdielos y aprenda su significado. La interpretación adecuada de estos símbolos le permitirá utilizar la herramienta mejor y con más seguridad.

Símbolo	Nombre	Designación/explicación
V	Volt	Tensión (potencial)
A	Ampere	Corriente
Hz	Hertz	Frecuencia (ciclos por segundo)
W	Watt	Potencia
kg	Kilogramo	Peso
min	Minuto	Tiempo
s	Segundo	Tiempo
∅	Diámetro	Tamaño de las brocas taladradoras, muelas, etc
n_0	Velocidad sin carga	Velocidad rotacional sin carga
n	Velocidad nominal	Máxima velocidad obtenible
.../min	Revoluciones o alternación por minuto	Revoluciones, golpes, velocidad de superficie, órbitas, etc., por minuto
0	Posición "off" (apagado)	Velocidad cero, par motor cero...
1, 2, 3, ... I, II, III,	Graduaciones del selector	Graduaciones de velocidad, par motor o posición. Un número más alto significa mayor velocidad
	Selector infinitamente variable con apagado	La velocidad aumenta desde la graduación de 0
	Flecha	Acción en la dirección de la flecha
	Corriente alterna	Tipo o una característica de corriente
	Corriente continua	Tipo o una característica de corriente
	Corriente alterna o continua	Tipo o una característica de corriente
	Construcción de clase II	Designa las herramientas de construcción con aislamiento doble.
	Terminal de toma de tierra	Terminal de conexión a tierra
	Símbolo de advertencia	Alerta al usuario sobre mensajes de advertencia
	Sello RBRC de Li-ion	Designa el programa de reciclaje de baterías de Li-ion
	Sello RBRC de Ni-Cd	Designa el programa de reciclaje de baterías de Ni-Cd
	Símbolo de lectura del manual	Alerta al usuario para que lea el manual
	Símbolo de uso de protección de los ojos	Alerta al usuario para que use protección de los ojos

Símbolos (continuación)

IMPORTANTE: Es posible que algunos de los símbolos siguientes se usen en su herramienta. Por favor, estúdielos y aprenda su significado. La interpretación adecuada de estos símbolos le permitirá utilizar la herramienta mejor y con más seguridad.



Este símbolo indica que esta herramienta está catalogada por Underwriters Laboratories.



Este símbolo indica que esta herramienta está reconocida por Underwriters Laboratories.



Este símbolo indica que Underwriters Laboratories ha catalogado esta herramienta indicando que cumple con las normas estadounidenses y canadienses.



Este símbolo indica que esta herramienta está catalogada por la Canadian Standards Association.



Este símbolo indica que la Canadian Standards Association ha catalogado esta herramienta indicando que cumple con las normas estadounidenses y canadienses.



Este símbolo indica que Intertek Testing Services ha catalogado esta herramienta indicando que cumple con las normas estadounidenses y canadienses.



Este símbolo indica que esta herramienta cumple con la norma mexicana oficial (NOM).

Descripción funcional y especificaciones

ADVERTENCIA Desconecte el enchufe de la fuente de alimentación antes de realizar cualquier ensamblaje o ajuste, o de cambiar accesorios. Dichas medidas de seguridad preventivas reducirán el riesgo de arrancar la herramienta accidentalmente.

Fresadora de base fija MRF23EVS

FIG. 1

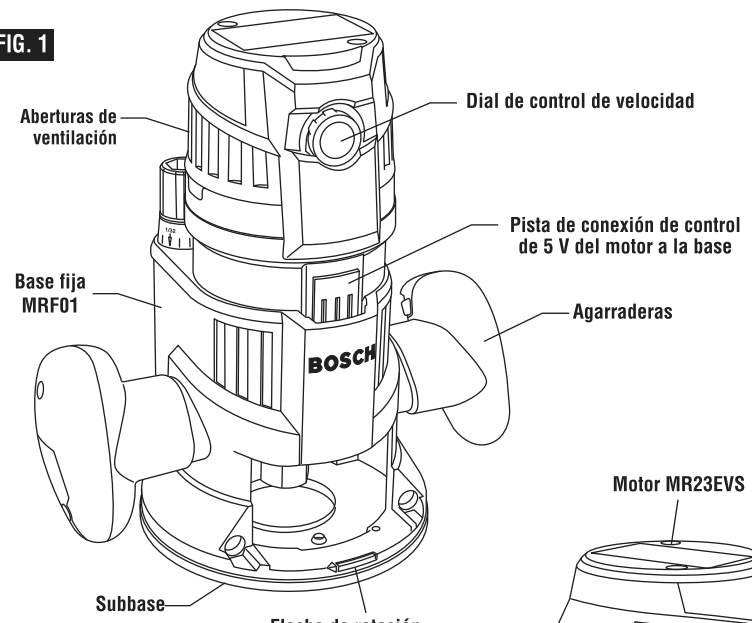
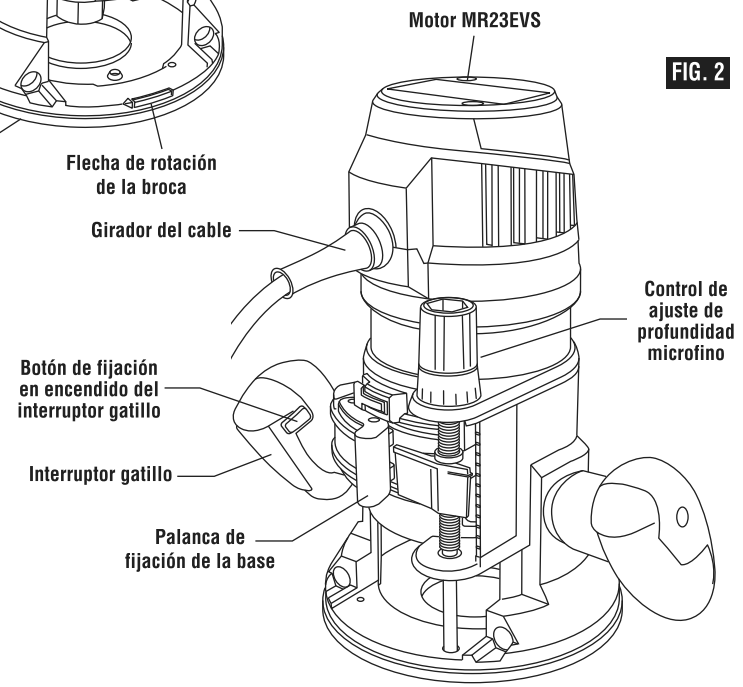


FIG. 2



NOTA: Para obtener las especificaciones de su herramienta, consulte la placa de especificaciones de la misma.

Descripción funcional y especificaciones

ADVERTENCIA Desconecte el enchufe de la fuente de alimentación antes de realizar cualquier ensamble o ajuste, o de cambiar accesorios. Dichas medidas de seguridad preventivas reducirán el riesgo de arrancar la herramienta accidentalmente.

Fresadora de inmersión MRP23EVS

FIG. 3

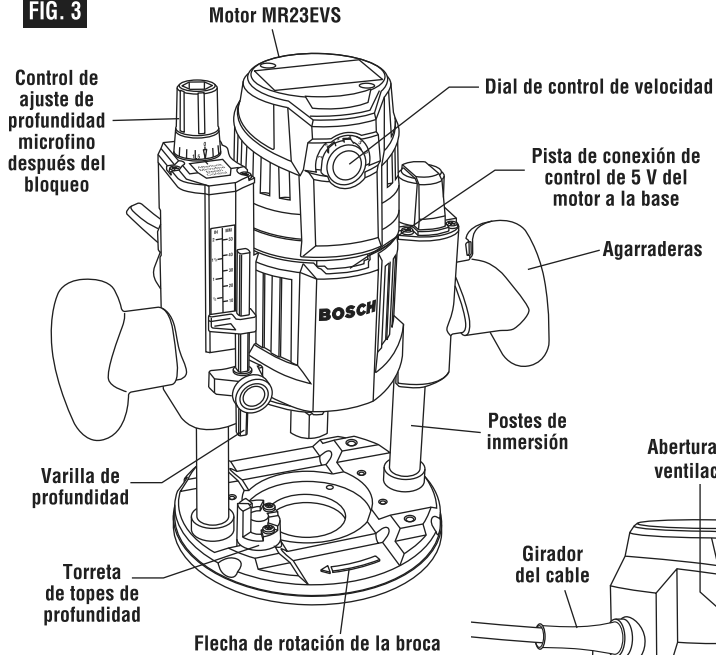
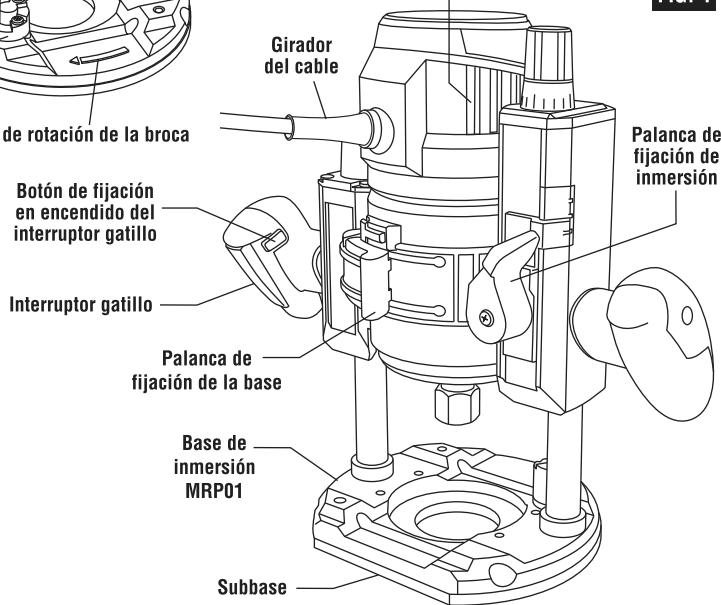


FIG. 4



NOTA: Para obtener las especificaciones de su herramienta, consulte la placa de especificaciones de la misma.

Ensamblaje y ajustes

INSTALACIÓN DE UNA BROCA DE FRESADORA

Hay disponible por separado un amplio surtido de brocas de fresadora con diferentes perfiles. Use un vástago de 1/2 pulgada siempre que sea posible y utilice únicamente brocas de buena calidad.

⚠ ADVERTENCIA Para evitar las lesiones corporales, saque siempre el enchufe de la fuente de alimentación antes de retirar o instalar brocas o accesorios.

Coloque la fresadora en posición invertida o acuéstela sobre uno de sus lados con la base descansando sobre el banco. Otra opción es retirar el motor de la base antes de instalar la broca.

NOTA: El vástago de la broca y el mandril portaherramienta deben estar limpios y libres de polvo, madera, residuos y grasa antes de realizar el ensamblaje.

1. Sujete el eje del inducido en su sitio con la llave de tuerca para el eje (Fig. 5).
2. Luego, utilice la llave de tuerca para el portaherramienta para aflojar el ensamblaje del mandril portaherramienta en sentido contrario al de las agujas del reloj (visto desde debajo de la fresadora).
3. Inserte el vástago de la broca de fresadora en el ensamblaje del mandril portaherramienta tanto como se pueda y luego haga retroceder el vástago hasta que los cortadores estén aproximadamente de 1/8 a 1/4 de pulgada de la cara de la tuerca del portaherramienta. **Para asegurar un agarre apropiado de la broca de fresadora y minimizar el desplazamiento, el vástago de la broca de fresadora se debe insertar al menos 5/8 de pulgada (16 mm).**
4. Con la broca de fresadora insertada y la llave de tuerca para el eje sujetando el eje del inducido, utilice la llave de tuerca para el portaherramienta para apretar firmemente el ensamblaje del mandril portaherramienta en el sentido de las agujas del reloj (visto desde debajo de la fresadora).

⚠ ADVERTENCIA El diámetro del cortador debe ser al menos 1/4 de pulgada (6.35 mm) más pequeño que la abertura de la subbase y/o la base para la broca y el cortador.

Llave de tuerca para el portaherramienta

Llave de tuerca para el eje

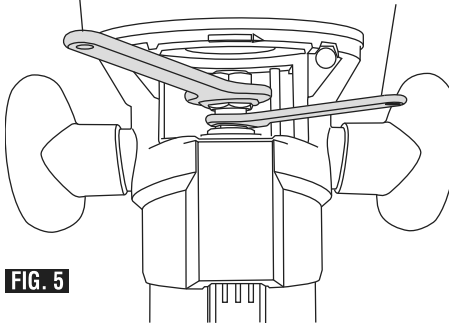


FIG. 5

⚠ ADVERTENCIA Cuando utilice una guía de plantilla, no utilice una broca de fresadora con un cortador que exceda el tamaño máximo recomendado (consulte la página 75).

⚠ PRECAUCIÓN Para evitar daños a la herramienta, no apriete el portaherramienta sin una broca.

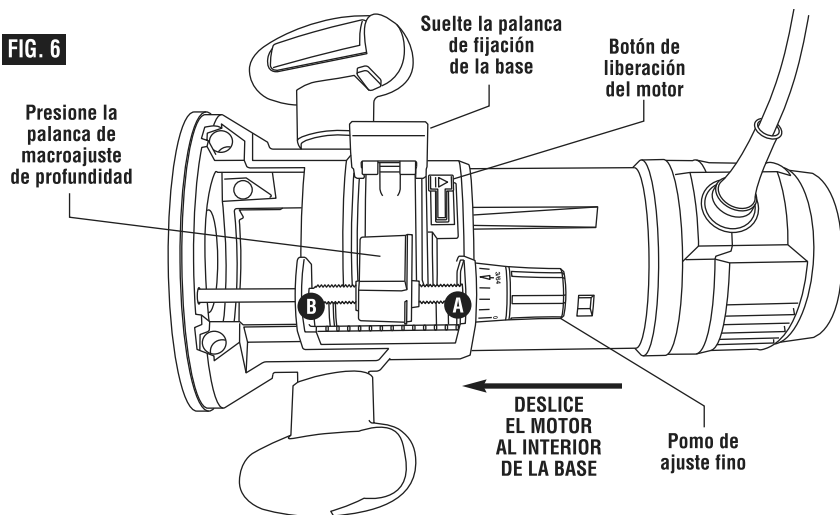
⚠ ADVERTENCIA Esté seguro siempre de que el mandril portaherramienta está apretado firmemente antes del uso.

REMOCIÓN DE UNA BROCA DE FRESADORA

1. Utilice las llaves de tuerca para el eje y el mandril portaherramienta tal y como se describió anteriormente, y gire el ensamblaje del mandril portaherramienta en sentido contrario al de las agujas del reloj.
2. Una vez que el ensamblaje del mandril portaherramienta esté flojo, continúe girando dicho ensamblaje hasta que tire del portaherramienta y lo libere de su parte cónica, y la broca de fresadora se podrá retirar.

NOTA: El mandril portaherramienta se extrae automáticamente; NO es necesario golpear dicho mandril para liberar la broca de fresadora.

Preparación de la base fija MRF01

FIG. 6


INSTALACIÓN DEL MOTOR EN LA BASE FIJA

1. Suelte la palanca de fijación de la base.
2. Alinee la PISTA DE CONEXIÓN DE CONTROL DE 5 V DEL MOTOR A LA BASE con la ranura de la base fija y deslice el motor al interior del carro.
3. El motor se deslizará primero más allá del enganche del botón de liberación del motor de la base.
4. Mientras sujeta hacia abajo la palanca de macroajuste de profundidad, empuje el motor al interior de la base hasta que alcance la profundidad deseada aproximada.
5. Suelte la palanca de macroajuste de profundidad y deslice el motor hacia delante o hacia atrás según sea necesario hasta que el "enganche" del sistema de macroajuste salte como un resorte al interior de la muesca de retención de macroajuste.
6. Ajuste la posición de la altura final tal y como se describe en AJUSTE DE LA PROFUNDIDAD DE LA BASE FIJA.
7. Después de realizar ajustes de profundidad, fije de nuevo el motor presionando la palanca de fijación de la base hasta la posición cerrada.

REMOCIÓN DEL MOTOR DE LA BASE FIJA

1. Sujete la fresadora en posición horizontal y abra la palanca de fijación de la base.
2. Presione y mantenga presionada la palanca de macroajuste de profundidad y tire suavemente del motor hacia fuera.
3. Oprima el botón de liberación del motor secundario y tire del motor hasta sacarlo de la base fija.

AJUSTE DE LA PROFUNDIDAD DE LA BASE FIJA

La base fija MRF01 está equipada con un mecanismo de ajuste fino tipo micrómetro verdadero, que se puede utilizar en cualquier posición y permite realizar un ajuste preciso de la posición de la broca de fresadora para lograr una precisión inigualada. Cuando la herramienta se baja hasta la posición aproximada deseada, este dispositivo se puede ajustar para graduar con precisión la posición final de la broca.

Esta base también cuenta con tres muescas horizontales en ambos lados de la carcasa del motor para realizar ajustes bastos. Las muescas están separadas 1/2 pulgada una de otra, lo cual le permite a usted bajar o subir rápidamente la profundidad de la herramienta en tres incrementos de 1/2 pulgada (aproximadamente 12.7 mm), simplemente presionando la palanca de liberación de ajuste basto.

PARA AJUSTAR LA PROFUNDIDAD

NOTA: Todos los ajustes de profundidad deben ser realizados con la palanca de fijación de la base en posición suelta.

1. Abra la palanca de fijación de la base para liberar el motor.
2. **MACROAJUSTE DE PROFUNDIDAD:**
Para hacer un ajuste de profundidad grande, presione la palanca de liberación de macroajuste o baje el motor hasta la profundidad deseada aproximada hasta que se acople en la muesca más próxima. Hay tres muescas en la carcasa del motor que están separadas 1/2 pulgada para facilitar este ajuste.

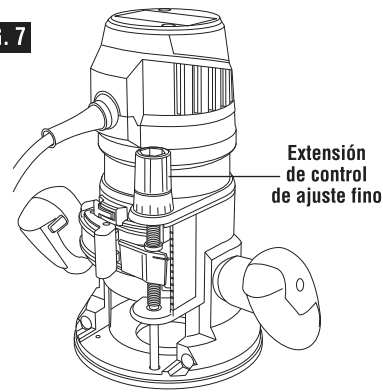
3. AJUSTE DE PROFUNDIDAD FINO:

Para utilizar el dispositivo de ajuste fino, gire el pomo de ajuste fino en el sentido de las agujas del reloj para bajar la broca de fresadora o en sentido contrario al de las agujas del reloj para subirla.

4. Después de hacer ajustes de profundidad, fije de nuevo el motor.

NOTAS:

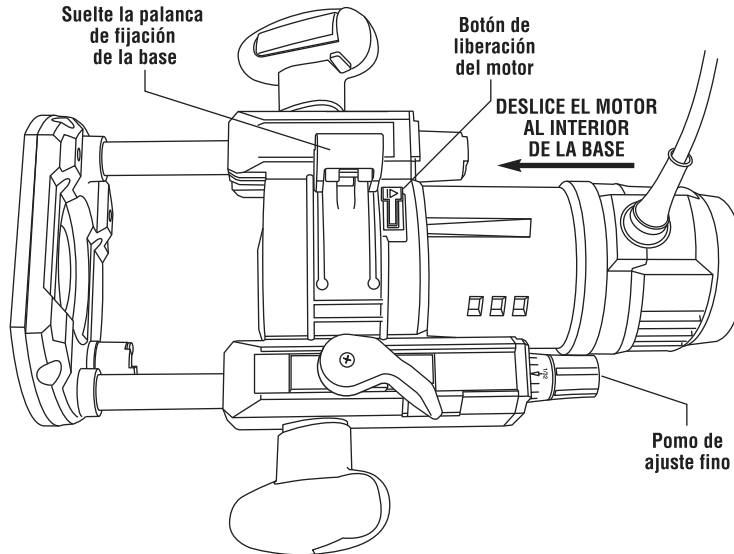
- Asegúrese de que la palanca de macroajuste esté acoplada en una de las muescas de macroajuste antes de hacer un ajuste fino.
- Para evitar los daños a la herramienta, evite que la palanca de macroajuste quede en cuña contra la porción superior A o inferior B de la carcasa, de la manera que se muestra en la figura 6.
- Si la palanca de macroajuste está acoplada en la muesca más próxima al portaherramienta, se puede acceder a todo el intervalo de profundidad utilizando exclusivamente el ajuste fino de profundidad. Esto hace que sea innecesario utilizar el macroajuste de profundidad, lo cual es especialmente útil cuando se utiliza la fresadora en una mesa de fresadora.
- Cuando la fresadora esté instalada en una mesa de fresadora, se puede ajustar con una llave hexagonal de 1/8 de pulgada, no incluida con todos los modelos (consulte la página 75).
- Para permitir ajustes precisos, el anillo indicador está graduado en incrementos de unidades inglesas y métricas, y cada línea es igual a 0.004 pulgadas ó 1/10 mm.

FIG. 7

- Una vuelta completa del pomo de ajuste fino = 1/16 de pulgada o aproximadamente 1.5 mm. El mecanismo de ajuste fino tiene un intervalo de ajuste total de 1-9/16 pulgadas (40 mm).
- El anillo indicador se puede reajustar a cero sin mover el pomo de ajuste fino, para permitir al usuario comenzar el ajuste desde cualquier punto de referencia deseado.

Preparación de la base de inmersión MRP01

FIG. 8



INSTALACIÓN DEL MOTOR EN LA BASE DE INMERSIÓN

1. Suelte la palanca de fijación de la base.
2. Alinee la PISTA DE CONEXIÓN DE CONTROL DE 5 V DEL MOTOR A LA BASE con la ranura del carro del motor de inmersión y deslice el motor completamente al interior del carro.
3. El motor se deslizará primero más allá del enganche del botón de liberación del motor de la base.
4. Fije de nuevo el motor presionando la palanca de fijación de la base hasta la posición cerrada.

La palanca de fijación de inmersión está accionada por resorte y regresa automáticamente a la posición bloqueada.

Para subir la fresadora:

Empuje la palanca de fijación de inmersión hacia la izquierda, reduzca la presión sobre la fresadora y ésta retraerá automáticamente la broca de la pieza de trabajo.

Es aconsejable retraer la broca siempre que no esté acoplada en la pieza de trabajo.

REMOCIÓN DEL MOTOR DE LA BASE DE INMERSIÓN

1. Sujete la fresadora en posición horizontal, abra la palanca de fijación de la base y tire del motor hacia arriba hasta que se detenga.
2. Oprima el botón de liberación del motor secundario y tire del motor hacia fuera hasta sacarlo del carro del motor de inmersión.

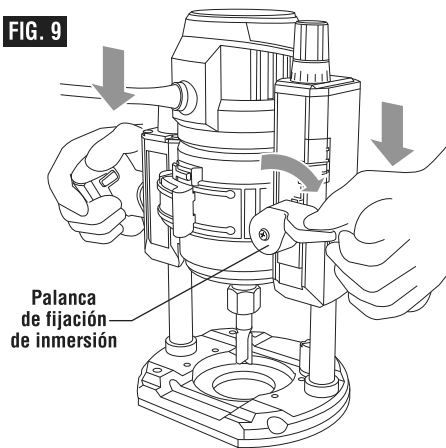
AJUSTE DE LA PROFUNDIDAD DE LA BASE DE INMERSIÓN ACCIÓN DE INMERSIÓN DE LA BASE

El dispositivo de inmersión MRP01 simplifica los ajustes de profundidad y permitirá que la broca de corte entre de manera rápida y precisa en la pieza de trabajo.

Para bajar la fresadora:

Empuje la palanca de fijación de inmersión hacia la izquierda, ejerza presión hacia abajo hasta que alcance la profundidad deseada y reduzca la presión en la palanca para bloquearla (Fig. 9).

FIG. 9



VARILLA DE PROFUNDIDAD Y TORRETA DE PROFUNDIDAD

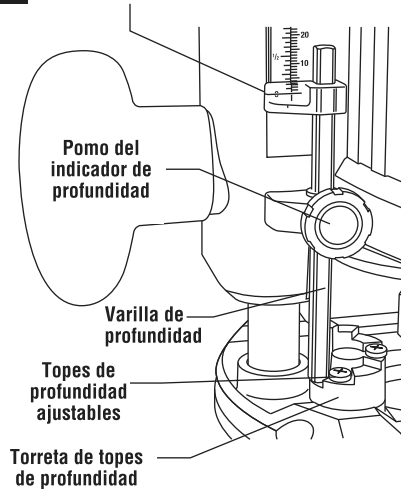
La varilla de profundidad y la torreta de topes de profundidad se utilizan para controlar la profundidad de corte de la manera siguiente;

1. Con la broca instalada, baje suavemente el motor hasta que la punta de la broca de fresadora justo entre en contacto con la superficie nivelada sobre la que la fresadora esté apoyada. Ésta es la posición "cero", desde la cual se pueden hacer ajustes de profundidad adicionales con precisión.
2. Para ajustar una profundidad de corte deseada, rote la torreta de topes de profundidad hasta que el escalón más bajo esté alineado con la varilla de profundidad. Afloje el pomo indicador de profundidad y baje la varilla de profundidad hasta que entre en contacto con el escalón inferior de la torreta. Deslice el indicador de profundidad hasta que la línea roja indique cero en la escala de profundidad, lo cual señala el punto en el cual la broca justo entra en contacto con la pieza de trabajo (Fig. 10).
3. Para ajustar una profundidad de corte deseada, deslice la varilla de profundidad hasta que la línea indicadora de profundidad roja alcance la profundidad de corte deseada y asegure la varilla en esa posición apretando firmemente el pomo del indicador de profundidad.
4. La profundidad de corte deseada se puede lograr ahora sumergiendo la fresadora hasta que la varilla de profundidad entre en contacto con el tope seleccionado en la torreta.

AJUSTE ALTERNO DE LA VARILLA DE PROFUNDIDAD Y LA TORRETA DE PROFUNDIDAD

1. Una alternativa es colocar un posicionador de la profundidad de fresado deseada (tal como una bisagra que sea necesario mortajar) en el escalón inferior de la torreta.
2. Luego, baje la varilla de profundidad hasta que entre en contacto con el posicionador.
3. Asegure la varilla en su sitio apretando firmemente el pomo del indicador de profundidad.
4. Por último, retire el posicionador.

FIG. 10 Indicador de profundidad



CORTES PROFUNDOS

Para realizar cotes más profundos, haga varios cortes progresivamente más profundos comenzando con el escalón más alto de la torreta de profundidad y, después de cada corte, rote la torreta de profundidad a escalones progresivamente más bajos según lo desee, hasta que se alcance la profundidad final (el escalón más bajo o la superficie plana). Los escalones progresan en incrementos de 1/8 de pulgada.

Los dos tornillos de ajuste se suministran para permitir incrementos de profundidad distintos a 1/8 de pulgada, lo cual permite repetir fácilmente operaciones de múltiples pasadas que tengan una profundidad total que no sea un múltiplo de 1/8 de pulgada.

Preparación de la base de inmersión MRP01

AJUSTE FINO DESPUÉS DEL BLOQUEO

La MRP01 está equipada con un mecanismo de ajuste fino tipo micrómetro verdadero, que se puede utilizar después de haber ajustado el cierre de inmersión en cualquier posición de inmersión y permite realizar un ajuste preciso de la posición de la broca de fresadora para brindar una precisión inigualada. Cuando la herramienta se sumerge hasta la posición aproximada deseada, este dispositivo se puede ajustar para graduar con precisión la posición final de la broca (Fig. 11).

- Para utilizar el ajuste fino, gire el pomo de ajuste fino en el sentido de las agujas del reloj para bajar la broca de fresadora o en sentido contrario al de las agujas del reloj para subirla.
- Para permitir realizar ajustes precisos, el anillo indicador está graduado en incrementos imperiales y métricos, y cada línea es igual a 0.004 pulgadas ó 1/10 mm.
- Una vuelta completa del pomo de ajuste fino = 1/16 de pulgada o aproximadamente 1.5 mm
- El indicador de ajuste fino se puede reajustar a cero sin mover el pomo de ajuste fino, para permitir que el usuario comience el ajuste desde cualquier punto de referencia deseado.
- El mecanismo de ajuste fino tiene un intervalo de ajuste total de 5/8 de pulgada (16 mm), lo cual es indicado por el marcador de índice ubicado en la parte trasera de la carcasa.
- Siempre que se utilice el ajuste fino, asegúrese de que el marcador de índice esté posicionado entre las dos líneas para asegurar suficiente recorrido en el sentido deseado después de sumergir la fresadora hasta la posición deseada.
- Tenga presente que cuando la fresadora se sumerge hasta la profundidad máxima o se retrea completamente hasta la parte de arriba de los postes, el pomo de ajuste fino no puede mover el motor más hacia abajo o hacia arriba, ya que se ha alcanzado la extensión completa del recorrido.
- Similarmente, el pomo de ajuste fino no puede bajar la broca cuando la varilla de profundidad está apretada contra la torreta de profundidad.

Para asegurarse de que los ajustes de profundidad sean los deseados, es aconsejable realizar cortes de prueba en material de desecho antes de comenzar el trabajo.

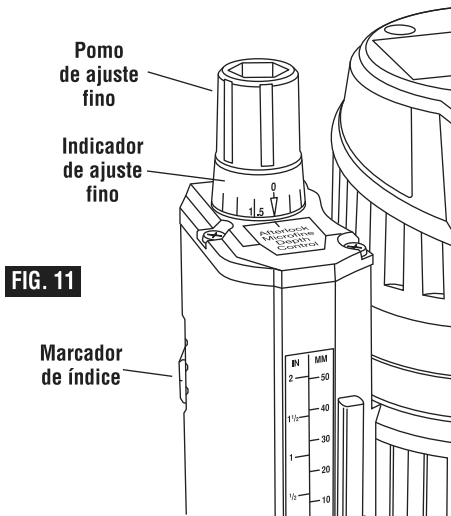


FIG. 11

Instrucciones de utilización

ENCHUFADO DEL MOTOR EN EL TOMACORRIENTE / LUCES LED

Siempre que el motor está enchufado y recibiendo alimentación eléctrica, las luces LED ubicadas en la parte inferior del motor se iluminan. Las luces LED mejoran la visibilidad del área de trabajo cuando se ajusta la profundidad y/o se comienza una ubicación, así como cuando se fresa. Tenga presente que el motor no se puede encender cuando no está instalado en una base de fresadora Bosch serie MR.

ADVERTENCIA El motor siempre debe estar desenchufado cuando sea necesario introducir la mano en el área de la broca o hacer ajustes en dicha área de la broca, como por ejemplo al cambiar brocas o guías de plantilla, y/o al centrar la subbase.

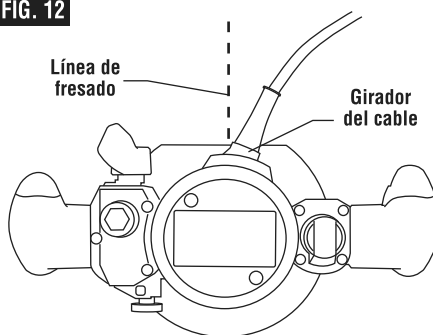
CONTROL ELECTRÓNICO DE VELOCIDAD VARIABLE

El dispositivo de control electrónico de la velocidad permite ajustar la velocidad del motor al tamaño del cortador y la dureza del material para lograr un mejor acabado, prolongar la vida útil de la broca y obtener un rendimiento más alto. Los cambios de velocidad se logran girando el dial de control hacia la DERECHA para aumentar la velocidad y hacia la IZQUIERDA para reducirla, tal y como está indicado en la carcasa (Fig. 1). La velocidad se puede cambiar mientras la herramienta está encendida. Los números de referencia ubicados en el dial facilitan el reajuste del control a la velocidad deseada.

El cuadro de velocidad indica la relación entre los ajustes y la aplicación, y los ajuste exactos son determinados por la experiencia y la preferencia del operador. Es posible que el fabricante de la broca también tenga una recomendación de velocidad.

AJUSTE DEL DIAL	RPM	APLICACIÓN
1	10,000	Maderas duras, materiales no ferrosos y brocas y cortadores de diámetro más grande
2	13,000	
3	16,000	
4	19,000	Maderas blandas, plásticos, tableros de mostrador y brocas y cortadores de diámetro más pequeño
5	22,000	
6	25,000	

FIG. 12



GIRADOR DEL CABLE

El cable de alimentación cuenta con un girador de junta de bola para brindar más flexibilidad en el posicionamiento de dicho cable. Dicho girador está montado junto al centro en la parte trasera de la herramienta para minimizar el número de situaciones en las que el cable está directamente sobre una línea de fresado deseada.

DISPOSITIVO DE ARRANQUE SUAVE

El control de retroalimentación electrónica minimiza el giro de la fuerza de torsión habitual en las fresadoras más grandes al limitar la velocidad a la cual el motor arranca.

CIRCUITERÍA CONSTANT RESPONSE™

La circuitería de respuesta constante Constant Response™ con retroalimentación por tacómetro de la fresadora monitorea y ajusta la potencia para mantener las RPM deseadas con el fin de mantener un rendimiento y un control uniformes.

Instrucciones de utilización

INTERRUPTOR(ES) DE ENCENDIDO Y APAGADO DE "CONTROL POR GATILLO" DE FRESADORA MODULAR EXCLUSIVOS DE BOSCH

Las bases de su sistema de fresadora modular Bosch MR23EVS cuentan con el exclusivo "Sistema de control por gatillo" de Bosch, que es distinto al de cualquier otro sistema de fresadora modular profesional.

En lugar de tener que estirar la mano hasta un interruptor de palanca ubicado en lo alto del motor de la fresadora, el sistema de control por gatillo Bosch le permite encender y apagar la fresadora utilizando un interruptor gatillo ubicado en la agarradera de la base, un tipo y ubicación de interruptor comunes que se utilizan en casi todos los demás tipos de herramienta eléctrica. No solamente está el interruptor gatillo en la base de inmersión, sino que también lo está en la base fija, gracias a un sistema de contacto eléctrico deslizable del motor a la base.

Asimismo, la interfaz electrónica patentada del sistema de control por gatillo Bosch entre el motor y la base es de bajo voltaje (sólo 5 V CC, similar a las baterías comunes) e interno, lo cual elimina la necesidad de cables externos del motor a la base que podrían ser un obstáculo.

Otra ventaja del sistema de control por gatillo de la fresadora Bosch es su "Sistema inteligente de detección de la base" que cuenta con las siguientes funciones:

- Base requerida para el funcionamiento: El motor no se puede activar a menos que esté instalado en una de las bases de fresadora Bosch serie MR23EVS.
- El motor no se activará durante la instalación: El motor no se puede encender accidentalmente al insertar una base que ya tenga el gatillo accionado hacia atrás (con o sin el botón de fijación acoplado).
- Activación por el interruptor de una mesa de fresadora: La práctica estándar recomendada en la industria para el uso de fresadoras en mesas de fresadora es que el cable de alimentación de la fresadora se enchufe en un tomacorriente de un ensamblaje de interruptor ubicado en la parte delantera de la fresadora y que la fresadora se encienda y se bloquee en la posición de encendido. Luego, la fresadora se enciende y apaga utilizando el interruptor de la mesa de fresadora. La serie de fresadoras MR23EVS está diseñada para acomodar esta práctica.

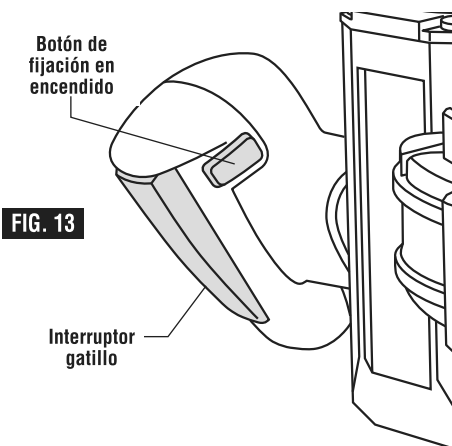


FIG. 13

⚠ ADVERTENCIA

- Si el motor MR23EVS ya está instalado en una de sus bases y
- Si el gatillo está acoplado (con o sin el botón de fijación acoplado),
- Y el cable de alimentación se enchufa entonces en un tomacorriente activo, la fresadora se enciende.

No conecte nunca la fresadora a un tomacorriente activo (a menos que esté instalada correctamente en una mesa de fresadora) mientras acciona el gatillo (con o sin el botón de fijación acoplado), porque la fresadora se encenderá inmediatamente.

PARA ENCENDER LA HERRAMIENTA: Simplemente tire del interruptor gatillo ubicado en la agarradera derecha.

PARA APAGAR LA HERRAMIENTA: Simplemente suelte el interruptor gatillo.

La fresadora también está equipada con un botón de fijación en ENCENDIDO ubicado justo encima del gatillo, que permite la utilización continua sin tener que mantener apretado el gatillo.

PARA BLOQUEAR EL INTERRUPTOR EN LA POSICIÓN DE ENCENDIDO: Apriete completamente el gatillo, oprima el botón y suelte el gatillo.

PARA DESBLOQUEAR EL INTERRUPTOR: Apriete el gatillo y suéltelo sin oprimir el botón de fijación en ENCENDIDO.

⚠ ADVERTENCIA Si el botón de fijación en ENCENDIDO está siendo oprimido continuamente, el gatillo no se puede soltar.

ENTRADA EN LA PIEZA DE TRABAJO

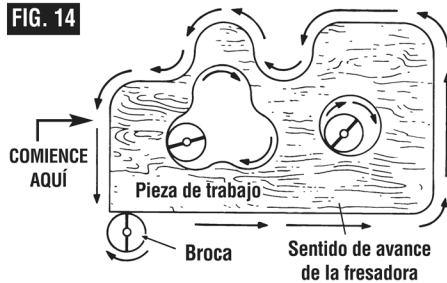
Para obtener el mejor control y los mejores resultados, deje siempre que la fresadora complete su aceleración de arranque suave hasta la velocidad ajustada (tal y como se haya ajustado utilizando el dial de velocidad) antes de poner el cortador de la broca en contacto con la pieza de trabajo.

La utilización de esta manera prolongará la vida útil del interruptor y del motor, y aumentará enormemente la calidad del trabajo que usted realiza.

AVANCE DE LA FRESADORA

Tal y como se ve desde la parte de arriba de la fresadora, la broca gira en el sentido de las agujas del reloj y los bordes de corte están orientados correspondientemente. Por lo tanto, el corte más eficiente se realiza haciendo avanzar la fresadora de manera que la broca gire hacia la pieza de trabajo, no alejándose de ella. La Figura 14 muestra el avance apropiado para diversos cortes.

FIG. 14



VELOCIDAD DE AVANCE

La velocidad de avance apropiada depende de la dureza del material y del tamaño del corte. Los mejores resultados se logran cuando la profundidad de corte y la velocidad de avance permiten que el motor funcione a la velocidad apropiada. Haga avanzar la fresadora a una velocidad moderada. Hágala avanzar de manera suave y firme (no la fuerce). Usted aprenderá pronto cómo suena la fresadora y qué sensación da cuando está brindando el mejor rendimiento.

CONSEJOS PARA FRESAR

- Utilice siempre brocas de fresadora con la longitud de corte más corta necesaria para producir el corte deseado. Esto minimizará las vibraciones de la broca de fresadora.
- Asegúrese siempre de que el mandril portaherramienta esté firmemente apretado antes de utilizar la herramienta.
- Los materiales blandos requieren una velocidad de avance más rápida que los materiales duros.
- La fresadora se podría detener si se utiliza incorrectamente o se sobrecarga.

- Reduzca la velocidad de avance para evitar posibles daños a la herramienta.
- Para estar seguro de que los ajustes de profundidad y de velocidad proporcionan los resultados deseados, compruebe los ajustes fresando un poco de material de desecho antes de fresar la pieza de trabajo real.
- Si la fresadora es difícil de controlar, se calienta, funciona muy lentamente o deja un corte imperfecto, considere estas causas:
 1. Sentido de avance incorrecto: Difícil de controlar.
 2. Avance demasiado rápido: Sobrecarga el motor.
 3. Broca desafilada: Sobrecarga el motor.
 4. El corte es demasiado grande para una pasada: Sobrecarga el motor.
 5. Avance demasiado lento: Deja quemaduras de fricción en la pieza de trabajo.

Cuando frese cortes profundos, lo mejor es hacer cortes múltiples progresivamente más profundos, en lugar de intentar fresar la profundidad completa en una pasada. La profundidad de corte apropiada dependerá del tipo de material y del tipo de cortador que se esté usando. La base de inmersión MRP01 y su torreta multiescalón son ideales para situaciones de fresado multipasada. (Consulte la sección "AJUSTE DE LA PROFUNDIDAD DE LA BASE DE INMERSIÓN".)

SALIDA DE LA PIEZA DE TRABAJO

Para lograr el mejor control y los mejores resultados, mueva siempre la fresadora de manera que el cortador de la broca salga de la pieza de trabajo antes de apagar la fresadora.

La operación de esta manera prolongará la vida útil del motor y del interruptor, y aumentará enormemente la calidad del trabajo que usted realiza.

PROTECCIÓN CONTRA SOBRECARGAS

En el poco probable caso de que el motor se sobrecargue, éste se detendrá automáticamente. Para rearmarlo, suelte el interruptor de encendido y apagado, luego desenchufe el cable de alimentación y enchúfelo de vuelta en la fuente de alimentación, y luego arranque la herramienta de manera normal. (Cuando la fresadora esté montada en una mesa de fresadora y conectada al interruptor de dicha mesa, y el botón de fijación en encendido esté acoplado, el rearmado se puede lograr simplemente girando el interruptor de la mesa hasta la posición de apagado y luego, de nuevo, hasta la posición de encendido.)

Deje que el motor se enfríe durante 30 segundos haciendo funcionar la herramienta sin carga. Si la protección contra sobrecargas detiene repetidamente la herramienta, una fuerza excesiva está causando que la herramienta se sobrecargue. No empuje con tanta fuerza y deje que la herramienta haga el trabajo.

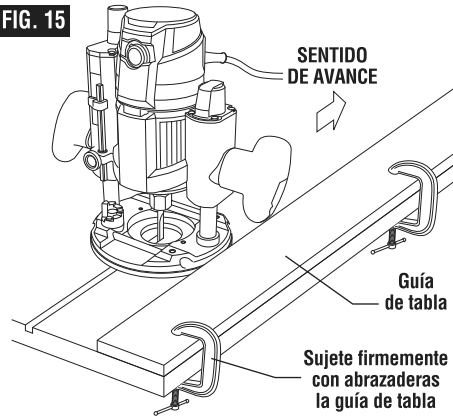
Guiado de la fresadora

La fresadora se puede guiar a través de la pieza de trabajo de cualquiera de varias maneras. El método que usted utilice depende, por supuesto, de las exigencias del trabajo específico y la conveniencia.

Muchas operaciones con fresadora para conformar bordes se pueden realizar utilizando brocas que tienen cojinetes.

Para operaciones de fresado tales como ranurar o mortajar, a menudo es necesario guiar la herramienta en una línea paralela a un borde recto. Un método de obtener un corte recto es sujetar firmemente con abrazaderas una tabla u otro borde recto a la superficie de trabajo, y guiar el borde de la subbase de la fresadora a lo largo de este recorrido (Fig. 15).

FIG. 15



GUÍA DE FRESADORA DE LUJO

La guía de fresadora de lujo Bosch es un accesorio opcional que guiará la fresadora paralela a un borde recto o le permitirá a usted crear círculos y arcos.

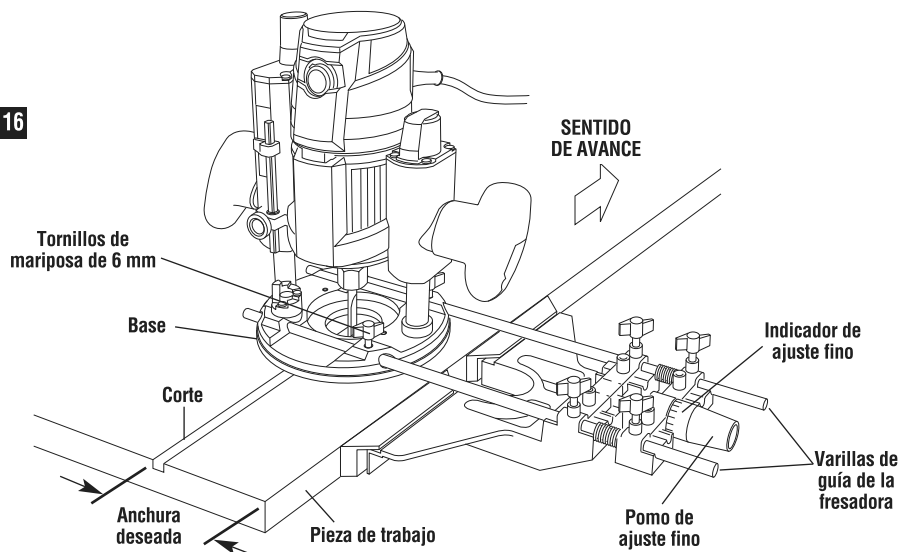
La guía de fresadora de lujo se suministra con dos varillas y tornillos para sujetarla (Fig. 16). Además, cuenta con un pomo y un indicador de ajuste fino para posicionar con precisión la guía de borde en relación con la broca. Con la guía instalada y ajustada, la fresadora se debe hacer avanzar normalmente, manteniendo la guía en contacto con el borde de la

pieza de trabajo en todo momento. La guía de fresadora de lujo también se puede posicionar directamente debajo de la base de la fresadora en el caso de operaciones en las que se necesite un corte cerca del borde de la pieza de trabajo o en dicho borde.

La guía de fresadora de lujo incluye una cubierta de extracción de polvo y el adaptador de manguera de aspiración VAC002.

Para obtener instrucciones completas de instalación y utilización, sírvase consultar las instrucciones que se incluyen con este accesorio.

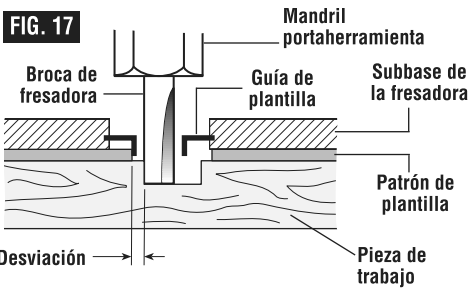
FIG. 16



GUÍAS DE PLANTILLA

Esta fresadora también se puede utilizar con el sistema de guías de plantilla de cambio rápido opcional exclusivo de Bosch, el cual agarra firmemente las guías con un anillo accionado por resorte. A diferencia de las guías de plantilla roscadas convencionales, no hay anillo roscado que se pueda aflojar durante la operación de fresado.

Las guías de plantilla se utilizan con varios accesorios especiales, tales como plantillas de bisagra, que se indican en el catálogo BOSCH. Además, se preparan fácilmente plantillas especiales para cortar patrones repetidos, diseños especiales, incrustaciones y otras aplicaciones. Un patrón de plantilla se puede hacer de madera contrachapada, tablero de aglomerado, metal o incluso plástico, y el diseño se puede cortar con una fresadora, una sierra caladora u otra herramienta de corte adecuada. Recuerde que el patrón se tendrá que



hacer de manera que se compense la distancia entre la broca de fresadora y la guía de plantilla (la "desviación"), ya que la pieza de trabajo final diferirá en tamaño del patrón de plantilla en esa cantidad, debido a la posición de la broca (Fig. 17).

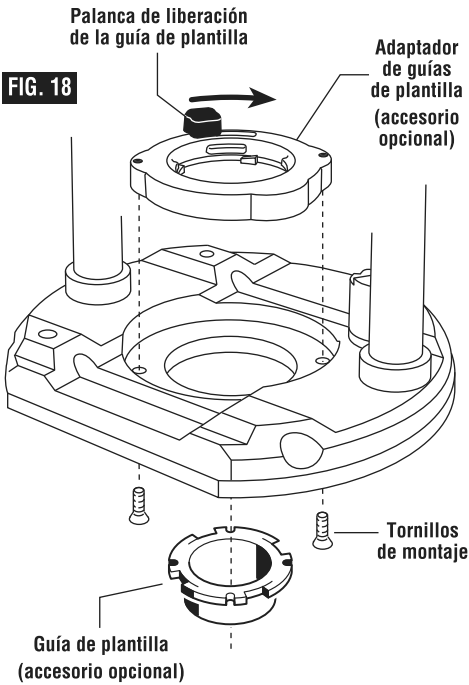
INSTALACIÓN DEL ADAPTADOR DE GUÍAS DE PLANTILLA

(No incluida, disponible como accesorio)

Coloque el adaptador de guías de plantilla sobre los agujeros ubicados en el centro de la subbase y alinee los dos agujeros roscados ubicados en la parte inferior del adaptador con los agujeros avellanados ubicados en la subbase. Sujete el adaptador con los tornillos suministrados. Tenga presente que el adaptador es reversible, por lo cual la palanca de liberación se puede posicionar según se desee. (Fig. 18).

Para insertar o cambiar una guía de plantilla:

1. Retraiga la palanca de liberación de la guía de plantilla.
2. Alinee los entrantes de la guía de plantilla con las lengüetas ubicadas en la parte inferior del adaptador de guías de plantilla.
3. Inserte la guía de plantilla.
4. Suelte la palanca para agarrar la guía de plantilla en la posición correcta.



CENTRADO DE LA SUBBASE O LAS GUÍAS DE PLANTILLA

La fresadora cuenta con el "Diseño de centrado de precisión" Bosch. Su subbase se centra con precisión en la fábrica. Esto posiciona la broca en el centro de la subbase y las guías de plantilla opcionales.

El centrado de precisión le permite a usted utilizar el borde de la subbase o las guías de plantilla para seguir de cerca posicionadores tales como guías rectas, plantillas y dispositivos de cola de milano sin preocuparse por desviarse de la línea de corte deseada por cualquier motivo, inclusive la orientación de las agarra-deras de la fresadora en relación con el posicionador.

Para recentrar con la mayor precisión la subbase o las guías de plantilla, instale la subbase utilizando el dispositivo de centrado Bosch RA1151 opcional. Siga los pasos 1-8 (Fig. 19, 20).

1. Si se va a centrar una guía de plantilla, instale el adaptador de guías de plantilla y la guía de plantilla (aditamentos opcionales) tal y como se describe en otra parte de este manual.
2. Posicione la subbase de manera que sus agujeros para tornillos de cabeza troncocónica estén sobre el grupo coincidente de agujeros roscados ubicados en la base.
3. Inserte los tornillos de cabeza troncocónica a través de la subbase y apriételes hasta que estén perfectamente ajustados, pero aún permitan que la subbase se mueva.
4. Prepare el dispositivo de centrado:
 - Utilice el extremo estrecho del eje de acero cuando realice la inserción en un portaherramienta de 1/4 de pulgada, y el extremo más ancho del cono cuando realice la inserción en un portaherramienta de 1/2 pulgada.
 - Cuando centre la subbase o una guía de plantilla que tenga una abertura de más de 1/2 pulgada, deslice el manguito de plástico ancho sobre el eje de acero.
5. Deslice el cono centrador a través de la subbase o la guía de plantilla y al interior del portaherramienta. Apriete la tuerca del portaherramienta con los dedos para poner un ligero agarre en el cono centrador.
6. Presione ligeramente el cono centrador en interior de la subbase o de la guía de plantilla para realizar el centrado.
7. Apriete los tornillos de cabeza troncocónica. Retire el cono centrador.
8. El centrado de precisión de la subbase o de la guía de plantilla ha quedado completado.

FIG. 19

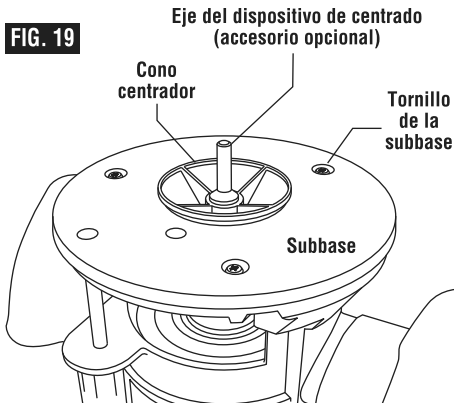
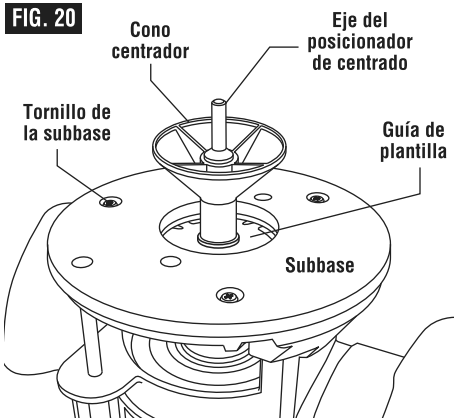


FIG. 20



TAMAÑO MÁXIMO DE BROCA/CORTADOR PARA LAS GUÍAS DE PLANTILLA

Cuando utilice una guía de plantilla, use únicamente una broca de fresadora con cortadores que midan 1/16 de pulgada menos que el diámetro interno de la guía de plantilla, tal y como se indica en la tabla que aparece a continuación.

USO CON GUÍAS DE PLANTILLA ROSCADAS

También se encuentra disponible como accesorio opcional un adaptador adicional, el RA1100, que permite el uso de guías de plantilla roscadas convencionales con el sistema de liberación rápida Bosch.

Guía de plantilla Bosch	Profundidad del casquillo	Diámetro externo	Diámetro interno	Diámetro máximo de la broca/cortador
	A	B	B	
RA1101	3/16"	5/16"	1/4"	3/16"
RA1103	9/64"	5/16"	17/64"	13/64"
RA1105	9/64"	7/16"	3/8"	5/16"
RA1107	5/16"	7/16"	3/8"	5/16"
RA1109	7/16"	1/2"	13/32"	11/32"
RA1111	3/16"	5/8"	17/32"	15/32"
RA1113	1/2"	5/8"	17/32"	15/32"
RA1115	3/16"	3/4"	21/32"	19/32"
RA1117	31/64"	13/16"	5/8"	9/16"
RA1119	31/64"	1"	25/32"	21/32"
RA1121	7/16"	1-3/8"	1-19/64"	1-15/64"

Utilización en una mesa de fresadora

Su fresadora también se puede utilizar en una mesa de fresadora. La base fija MR001 está diseñada para permitir ajustar fácilmente la profundidad en una mesa.

PRECAUCIÓN La base de inmersión MRP01 no se recomienda para utilizarse en una mesa de fresadora. Se podrían producir daños en la base de la fresadora de inmersión.

Para eliminar la incomodidad de instalar la propia base de su fresadora en la mesa de fresadora y luego tener que convertirla de vuelta para utilizarla sin mesa, Bosch ofrece bases fijas MRF01 adicionales para que una base se pueda instalar permanentemente en su mesa de fresadora, dejando su otra base fija disponible para uso sin mesa.

INSTALACIÓN DE LA BASE EN LA PLACA DE MONTAJE

Instale la MRF01 en la placa de montaje de la mesa de fresadora utilizando los tres agujeros para tornillo M4 suministrados. El patrón de tres agujeros ubicados en la parte inferior de la base sigue el patrón de tres agujeros estándar de la industria para fresadoras profesionales. Dependiendo del grosor de su mesa de fresadora o de la placa de montaje de su mesa de fresadora, es posible que usted necesite comprar tornillos M4 más largos con cabezas cónicas (FIG. 21).

Si la placa de montaje de su mesa de fresadora no tiene agujeros avellanados en ninguno de esos dos patrones, usted tendrá que determinar las ubicaciones de los agujeros, taladrarlos y avellanarlos, y también ubicar y taladrar un agujero para la llave de tuerca de ajuste sobre la mesa.

Utilización en una mesa de fresadora

CONECTE LA FRESADORA Y EL INTERRUPTOR DE LA MESA DE FRESADORA

Para realizar la preparación con el fin de usar el interruptor:

1. Asegúrese de que el interruptor de la fresadora y el interruptor de la mesa de fresadora estén ambos en la posición de apagado.
2. Enchufe el cable del interruptor de la mesa de fresadora en un tomacorriente de la pared.
3. Enchufe la fresadora en el tomacorriente con cable flexible ubicado en el interruptor de la mesa de fresadora.
4. Bloquee el interruptor de la fresadora en la posición de encendido: apriete el gatillo, oprima el botón de fijación en encendido y suelte el gatillo.
5. Utilice el interruptor de la mesa de fresadora para arrancar y parar el motor.

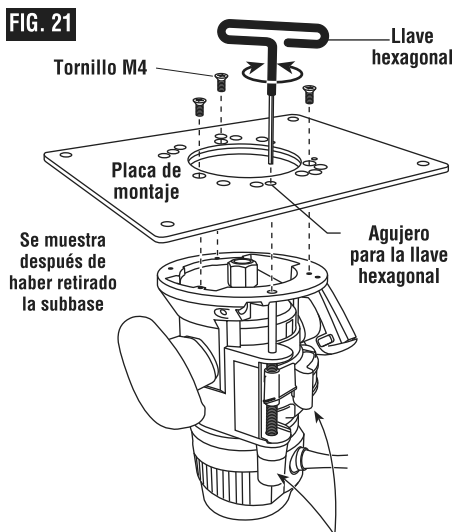
AJUSTE DE PROFUNDIDAD (Consulte las páginas 64 y 65)

AVANCE DE LA PIEZA DE TRABAJO SOBRE UNA MESA DE FRESADORA

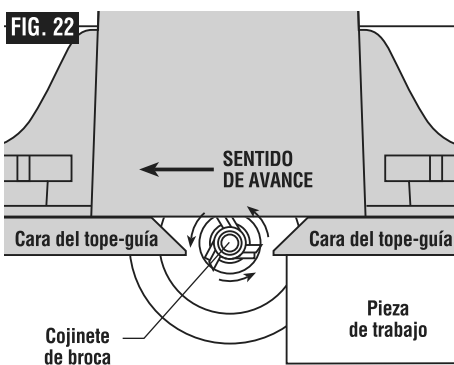
Utilice siempre el tope-guía o el pasador de inicio de su mesa de fresadora y el protector apropiado, y siga el manual de instrucciones de la mesa de fresadora. Haga avanzar SIEMPRE la pieza de trabajo de derecha a izquierda a través de la parte delantera de la broca. En las mesas de fresadora Bosch, el sentido de avance correcto también se muestra en la carcasa del tope-guía y en las tablas de canto biselado, cuando se han instalado apropiadamente (Fig. 22).

Siempre que sea posible, cuando utilice el tope-guía, use un palo de empujar para empujar la pieza de trabajo, especialmente cuando trabaje con piezas estrechas.

Para obtener instrucciones completas sobre la utilización de una fresadora en una mesa de fresadora, sírvase consultar las instrucciones que vienen con la mesa de fresadora.



La palanca de fijación de liberación rápida y los controles de ajuste de profundidad deben estar orientados hacia la parte delantera de la mesa de fresadora



VISTA SUPERIOR

NOTA: Por motivos de claridad, el protector y la tabla de canto biselado se han eliminado del dibujo.

Extracción de polvo de la fresadora

⚠ ADVERTENCIA Lea y entienda estas instrucciones y el manual de la herramienta para el uso de estos accesorios.

No ponga las manos en el área de la broca mientras la fresadora esté ENCENDIDA o enchufada, tal como lo indica que las luces LED estén encendidas.

⚠ PRECAUCIÓN Para evitar enredar las mangueras, no utilice esta cubierta de extracción de polvo al mismo tiempo que cualquier otra cubierta de extracción de polvo.

EXTRACCIÓN DE POLVO CON LA BASE DE INMERSIÓN

La cubierta de extracción de polvo está diseñada para utilizarse en la base de inmersión (MRP001) cuando el fresado se realice en el centro de la pieza de trabajo, como por ejemplo al crear ranuras o patrones de fresado para incrustaciones. Si usted tiene un sistema de aspiración de taller, puede instalar la cubierta de extracción de polvo para obtener una mejor visibilidad, precisión y utilidad, especialmente en el fresado a pulso.

Para instalar dicha cubierta, posicónela de la manera que se muestra en la ilustración y sujete firmemente el adaptador a la base con los tornillos de apriete manual suministrados (Fig. 23).

La cubierta de extracción de polvo también se puede instalar con la salida de la manguera orientada hacia la parte delantera de la herramienta.

EXTRACCIÓN DE POLVO CON LA BASE FIJA

Esta cubierta de extracción de polvo está diseñada para utilizarse con la base fija MRF001. Se instala de manera diferente, dependiendo de si el adaptador de guías de plantilla opcional está o no está instalado.

- Si el adaptador de guías de plantilla está instalado, posicione la pieza de puerto y cubierta de la manera que se muestra en la ilustración y sujétela firmemente a la base con los tornillos de apriete manual suministrados (Fig. 24).
- Si no hay instalado ningún adaptador de guías de plantilla, instale primero el protector girándolo sobre la parte inferior de la pieza de puerto y cubierta. Luego, posicione el ensamblaje de la cubierta de la manera que se muestra en la ilustración y sujételo firmemente a la base con los tornillos de apriete manual suministrados (Fig. 26).
- La cubierta de extracción de polvo de la base fija también se puede instalar con la salida de la manguera orientada hacia la parte delantera de la herramienta.

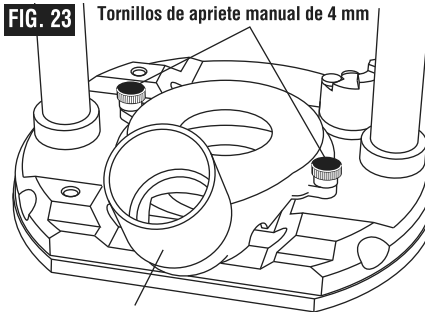


FIG. 23 Tornillos de apriete manual de 4 mm
Cubierta de extracción de polvo (acesorio opcional)

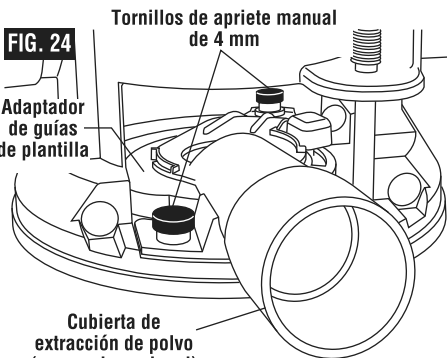


FIG. 24 Tornillos de apriete manual de 4 mm
Adaptador de guías de plantilla
Cubierta de extracción de polvo (acesorio opcional)

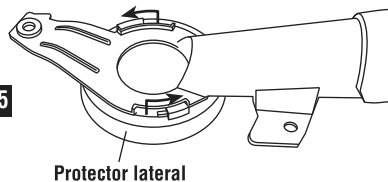


FIG. 25 Protector lateral

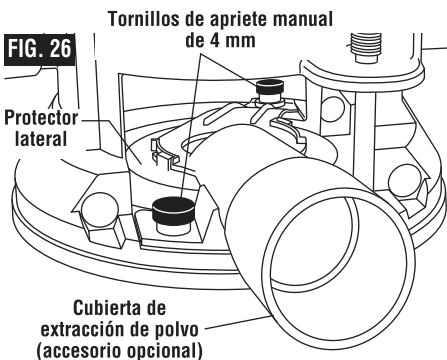


FIG. 26 Tornillos de apriete manual de 4 mm
Protector lateral
Cubierta de extracción de polvo (acesorio opcional)

Extracción de polvo de la fresadora

EXTRACCIÓN DE POLVO DURANTE EL CONFORMADO DE BORDES

Esta cubierta de extracción de polvo (accesorio opcional) se utiliza para la recolección de polvo durante el conformado de bordes.

Usted puede instalar la cubierta de conformado de bordes en varios lugares de acuerdo con sus necesidades o preferencias. Esta cubierta se instala utilizando dos de los agujeros para tornillo ubicados en la base de la fresadora que se utilizan para sujetar la subbase de la fresadora. Escoja la ubicación deseada para la cubierta. Afloje y saque los dos tornillos de la base de la fresadora e instale la cubierta de extracción de polvo —sobre la subbase de la fresadora— utilizando los tornillos suministrados con la cubierta. Apriete firmemente los tornillos.

FIG. 27

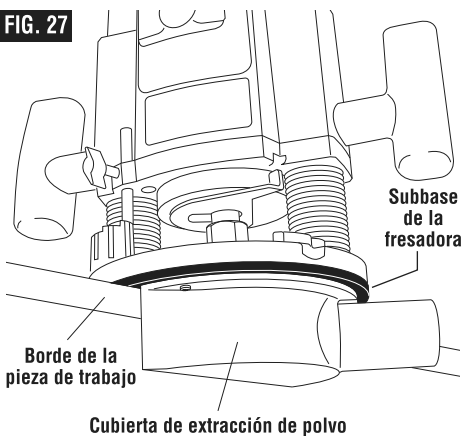


FIG. 29
OTRAS BASES

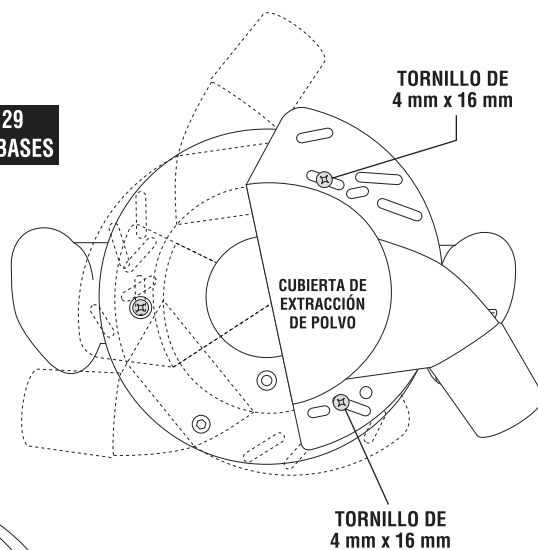
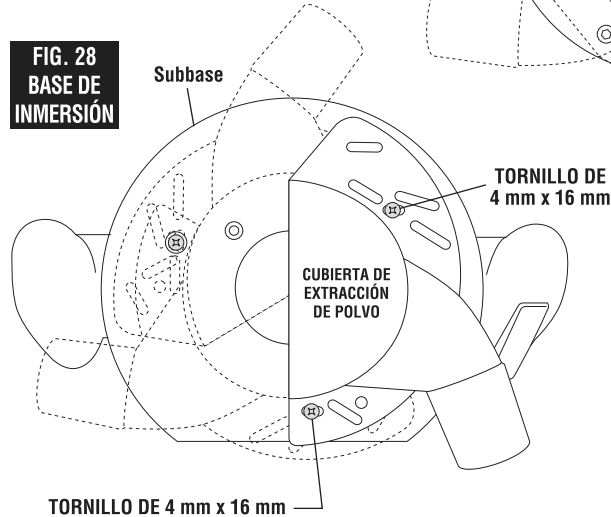


FIG. 28
BASE DE INMERSIÓN



Mantenimiento

Servicio

⚠ ADVERTENCIA El mantenimiento preventivo realizado por personal no autorizado puede tener como resultado una colocación incorrecta de los cables y componentes internos que podría causar un peligro grave.

Recomendamos que todo el servicio de ajustes y reparaciones de la herramienta sea realizado por un Centro de Servicio de Fábrica Bosch o una Estación de Servicio Bosch Autorizada.

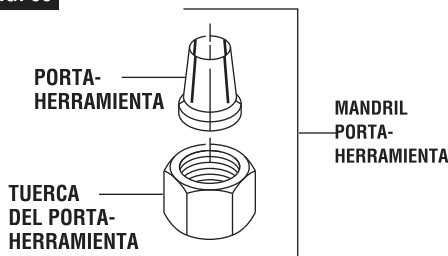
ABRAZADERA DE LA BASE

Si se desea una fuerza de fijación adicional: use una llave Allen de 2.5 mm, gire el tornillo de ajuste en el sentido de las agujas del reloj LIGERAMENTE (1/8 de vuelta o menos) y luego compruebe la abrazadera de fijación. No sobreapriete el tornillo.

CUIDADO DEL MANDRIL PORTAHERRAMIENTA

Con la broca de fresadora retirada, continúe girando el mandril portaherramienta en sentido contrario al de las agujas del reloj hasta que esté libre del eje. Para asegurar un agarre firme, sople el mandril portaherramienta con aire comprimido y limpie el área cónica del eje del ensamblaje del inducido con un pañuelo de papel o un cepillo fino. El mandril portaherramienta consta de dos piezas componentes, tal y como se muestra en la ilustración (Fig. 30); compruebe si el portaherramienta está asentado apropiadamente en la tuerca del mandril portaherramienta y enrosque ligeramente el mandril portaherramienta de vuelta en el eje del inducido. Reemplace inmediatamente los mandriles portaherramienta desgastados o dañados.

FIG. 30



LUBRICACIÓN DE LA HERRAMIENTA

Su herramienta Bosch ha sido lubricada apropiadamente y está lista para utilizarse. Se recomienda que las herramientas con engranajes sean reengrasadas con un lubricante especial para engranajes en cada cambio de escobillas.

ESCOBILLAS DE CARBONO

Las escobillas y el conmutador de su herramienta se han diseñado para brindar muchas horas de servicio confiable. Para mantener la máxima eficiencia del motor, recomendamos que se examinen las escobillas cada dos a seis meses. Solamente se deben utilizar escobillas de repuesto Bosch genuinas diseñadas especialmente para su herramienta.

COJINETES

Los cojinetes que se vuelvan ruidosos (debido a una carga pesada o al corte de material muy abrasivo) deben ser reemplazados de inmediato para evitar el recalentamiento o la falla del motor.

Limpieza

⚠ ADVERTENCIA Para evitar accidentes, desconecte siempre la herramienta de la fuente de alimentación antes de limpiarla o realizar cualquier mantenimiento. La herramienta se puede limpiar de la manera más eficaz con aire comprimido seco. **Utilice siempre anteojos de seguridad cuando limpie herramientas con aire comprimido.**

Las aberturas de ventilación y las palancas de interruptor se deben mantener limpias y libres de materia extraña. No intente limpiar insertando objetos puntiagudos a través de las aberturas.

Si se acumula una cantidad significativa de polvo en la pista de conexión eléctrica de 5 V del motor a la base, o en la base o el motor, el polvo se puede quitar con una aspiradora, aire comprimido o un cepillo blando.

⚠ PRECAUCIÓN Ciertos agentes y solventes de limpieza pueden dañar las piezas de plástico. Algunos de éstos son: gasolina, tetracloruro de carbono, solventes de limpieza clorados, amoníaco y detergentes domésticos que contienen amoníaco.

Accesorios

ADVERTENCIA Si se necesita un cordón de extensión, se debe utilizar un cordón con conductores de tamaño adecuado que sea capaz de llevar la corriente necesaria para su herramienta. Esto evitará las caídas excesivas de voltaje, la pérdida de potencia o el recalentamiento. Las herramientas conectadas a tierra deben utilizar cordones de extensión de 3 alambres que tengan enchufes de 3 terminales y receptáculos para 3 terminales.

NOTA: Cuanto más pequeño sea el número de calibre, más grueso será el cordón.

TAMAÑOS RECOMENDADOS DE LOS CORDONES DE EXTENSIÓN HERRAMIENTAS de 120 V DE CORRIENTE ALTERNA

Amperaje nominal de la herramienta	Tamaño del cordón en A.W.G.				Tamaños de alambre en mm ²			
	Longitud del cordón en pies				Longitud del cordón en metros			
	25	50	100	150	15	30	60	120
3-6	18	16	16	14	0.75	0.75	1.5	2.5
6-8	18	16	14	12	0.75	1.0	2.5	4.0
8-10	18	16	14	12	0.75	1.0	2.5	4.0
10-12	16	16	14	12	1.0	2.5	4.0	—
12-16	14	12	—	—	—	—	—	—

Mandril portaherramienta de 1/4 de pulgada *

Mandril portaherramienta de 1/2 pulgada *

Llave de tuerca para el eje de 16 mm *

Llave para la tuerca del portaherramienta de 24 mm *

Mandril portaherramienta de 3/8 de pulgada **

Mandril portaherramienta de 8 mm **

Guía de fresadora de lujo **

Dispositivo de centrado **

Maletín de transporte **

Cubiertas de extracción de polvo **

Cubierta de extracción de polvo para conformado de bordes **

Mesas de fresadora **

Adaptador de guías de plantilla **

Guías de plantilla de liberación rápida **

Adaptador para guías de plantilla roscadas **

Torreta de topes de profundidad ajustable **

Broca de fresadora **

(* = equipo estándar)

(** = accesorios opcionales)

Notes / Remarques / Notas

Notes / Remarques / Notas

Notes / Remarques / Notas

LIMITED WARRANTY OF BOSCH PORTABLE AND BENCHTOP POWER TOOLS

Robert Bosch Tool Corporation ("Seller") warrants to the original purchaser only, that all BOSCH portable and benchtop power tools will be free from defects in material or workmanship for a period of one year from date of purchase. SELLER'S SOLE OBLIGATION AND YOUR EXCLUSIVE REMEDY under this Limited Warranty and, to the extent permitted by law, any warranty or condition implied by law, shall be the repair or replacement of parts, without charge, which are defective in material or workmanship and which have not been misused, carelessly handled, or misrepaired by persons other than Seller or Authorized Service Station. To make a claim under this Limited Warranty, you must return the complete portable or benchtop power tool product, transportation prepaid, to any BOSCH Factory Service Center or Authorized Service Station. For Authorized BOSCH Power Tool Service Stations, please refer to your phone directory.

THIS LIMITED WARRANTY DOES NOT APPLY TO ACCESSORY ITEMS SUCH AS CIRCULAR SAW BLADES, DRILL BITS, ROUTER BITS, JIGSAW BLADES, SANDING BELTS, GRINDING WHEELS AND OTHER RELATED ITEMS.

ANY IMPLIED WARRANTIES SHALL BE LIMITED IN DURATION TO ONE YEAR FROM DATE OF PURCHASE. SOME STATES IN THE U.S., SOME CANADIAN PROVINCES DO NOT ALLOW LIMITATIONS ON HOW LONG AN IMPLIED WARRANTY LASTS, SO THE ABOVE LIMITATION MAY NOT APPLY TO YOU.

IN NO EVENT SHALL SELLER BE LIABLE FOR ANY INCIDENTAL OR CONSEQUENTIAL DAMAGES (INCLUDING BUT NOT LIMITED TO LIABILITY FOR LOSS OF PROFITS) ARISING FROM THE SALE OR USE OF THIS PRODUCT. SOME STATES IN THE U.S. AND SOME CANADIAN PROVINCES DO NOT ALLOW THE EXCLUSION OR LIMITATION OF INCIDENTAL OR CONSEQUENTIAL DAMAGES, SO THE ABOVE LIMITATION OR EXCLUSION MAY NOT APPLY TO YOU.

THIS LIMITED WARRANTY GIVES YOU SPECIFIC LEGAL RIGHTS, AND YOU MAY ALSO HAVE OTHER RIGHTS WHICH VARY FROM STATE TO STATE IN THE U.S., PROVINCE TO PROVINCE IN CANADA AND FROM COUNTRY TO COUNTRY.

THIS LIMITED WARRANTY APPLIES ONLY TO PORTABLE AND BENCHTOP ELECTRIC TOOLS SOLD WITHIN THE UNITED STATES OF AMERICA, CANADA AND THE COMMONWEALTH OF PUERTO RICO. FOR WARRANTY COVERAGE WITHIN OTHER COUNTRIES, CONTACT YOUR LOCAL BOSCH DEALER OR IMPORTER.

GARANTIE LIMITÉE DES OUTILS ÉLECTRIQUES PORTATIFS ET D'ÉTABLI BOSCH

Robert Bosch Tool Corporation (le « vendeur ») garantit à l'acheteur initial seulement que tous les outils électriques portatifs et d'établi BOSCH seront exempts de vices de matériaux ou d'exécution pendant une période d'un an depuis la date d'achat. LA SEULE OBLIGATION DU VENDEUR ET LE SEUL RECOURS DE L'ACHETEUR sous la présente garantie limitée, et en autant que la loi le permette sous toute garantie ou condition implicite qui en découlerait, sera l'obligation de remplacer ou réparer gratuitement les pièces défectueuses matériellement ou comme fabrication, pourvu que lesdites défectuosités ne soient pas attribuables à un usage abusif ou à quelque réparation bricolée par quelqu'un d'autre que le vendeur ou le personnel d'une station-service agréée. Pour présenter une réclamation en vertu de cette garantie limitée, vous devez renvoyer l'outil électrique portatif ou d'établi complet, port payé, à tout centre de service agréé ou centre de service usine. Veuillez consulter votre annuaire téléphonique pour les adresses.

LA PRÉSENTE GARANTIE NE S'APPLIQUE PAS AUX ACCESSOIRES TELS QUE LAMES DE SCIES CIRCULAIRES, MÊCHES DE PERCEUSES, FERS DE TOUPIES, LAMES DE SCIES SAUTEUSES, COURROIES DE PONÇAGE, MEULES ET AUTRES ARTICLES DU GENRE.

TOUTE GARANTIE IMPLICITE SERA LIMITÉE COMME DURÉE À UN AN À COMPTER DE LA DATE D'ACHAT. CERTAINS ÉTATS AMÉRICAINS, CERTAINES PROVINCES CANADIENNES N'ADMETTANT PAS LE PRINCIPE DE LA LIMITATION DE LA DURÉE DES GARANTIES IMPLICITES, IL EST POSSIBLE QUE LES LIMITATIONS CI-DESSUS NE S'APPLIQUENT PAS À VOTRE CAS.

EN AUCUN CAS LE VENDEUR NE SAURAIT ÊTRE TENU POUR RESPONSABLE DES INCIDENTS OU DOMMAGES INDIRECTS (INCLUANT, MAIS NE SE LIMITANT PAS AUX PERTES DE PROFITS) CONSÉQUENTS À LA VENTE OU L'USAGE DE CE PRODUIT. CERTAINS ÉTATS AMÉRICAINS ET CERTAINES PROVINCES CANADIENNES N'ADMETTANT PAS LE PRINCIPE DE LA LIMITATION NI L'EXCLUSION DES DOMMAGES INDIRECTS ET CONSÉQUENTIELS, IL EST POSSIBLE QUE LES LIMITATIONS OU EXCLUSIONS CI-DESSUS NE S'APPLIQUENT PAS À VOTRE CAS.

LA PRÉSENTE GARANTIE VOUS ACCORDE DES DROITS BIEN DÉTERMINÉS, Y COMPRIS POSSIBLEMENT CERTAINS DROITS VARIABLES DANS LES DIFFÉRENTS ÉTATS AMÉRICAINS, PROVINCES CANADIENNE ET DE PAYS À PAYS.

CETTE GARANTIE LIMITÉE NE S'APPLIQUE QU'AUX OUTILS ÉLECTRIQUES PORTATIFS ET D'ÉTABLI VENDUS AUX ÉTATS-UNIS D'AMÉRIQUE, AU CANADA ET AU COMMONWEALTH DE PORTO RICO. POUR COUVERTURE DE GARANTIE DANS LES AUTRES PAYS, CONTACTEZ VOTRE IMPORTATEUR OU REVENDEUR BOSCH LOCAL.

GARANTIA LIMITADA PARA HERRAMIENTAS MECANICAS PORTATILES Y PARA TABLERO DE BANCO BOSCH

Robert Bosch Tool Corporation (el Vendedor) garantiza, únicamente al comprador original, que todas las herramientas mecánicas portátiles y para tablero de banco BOSCH estarán libres de defectos de material o de fabricación durante un periodo de un año a partir de la fecha de compra. LA ÚNICA OBLIGACION DEL VENDEADOR Y EL RECURSO EXCLUSIVO QUE USTED TIENE bajo esta Garantía Limitada y, hasta donde la ley lo permita, bajo cualquier garantía o condición implícita por ley, consistirá en la reparación o sustitución sin costo de las piezas que presenten defectos de material o de fabricación y que no hayan sido utilizadas incorrectamente, manejadas descuidadamente o reparadas incorrectamente por personas que no sean el Vendedor o una Estación de servicio autorizada. Para efectuar una reclamación bajo esta Garantía Limitada, usted debe devolver el producto, que consiste en la herramienta mecánica portátil o para tablero de banco completa, con el transporte pagado, a cualquier Centro de servicio de fábrica o Estación de servicio autorizada. Para Estaciones de servicio autorizadas de herramientas mecánicas BOSCH, por favor, consulte el directorio telefónico.

ESTA GARANTIA LIMITADA NO SE APLICA A ARTICULOS ACCESORIOS TALES COMO HOJAS PARA SIERRAS CIRCULARES, BROCAS PARA TALADROS, BROCAS PARA FRESADORAS, HOJAS PARA SIERRAS DE VAIVEN, CORREAS PARA LIJAR, RUEDAS DE AMOLAR Y OTROS ARTICULOS RELACIONADOS.

TODAS LAS GARANTIAS IMPLICITAS TENDRAN UNA DURACION LIMITADA A UN AÑO A PARTIR DE LA FECHA DE COMPRA. ALGUNOS ESTADOS DE LOS EE.UU. Y ALGUNAS PROVINCIAS CANADIENSES NO PERMITEN LIMITACIONES EN CUANTO A LA DURACION DE UNA GARANTIA IMPLICITA, POR LO QUE ES POSIBLE QUE LA LIMITACION ANTERIOR NO SEA APLICABLE EN EL CASO DE USTED.

EL VENDEADOR NO SERA RESPONSABLE EN NINGUN CASO DE NINGUN DAÑO INCIDENTAL O EMERGENTE (INCLUYENDO PERO NO LIMITADO A RESPONSABILIDAD POR PERDIDA DE BENEFICIOS) QUE SE PRODUZCA COMO CONSECUENCIA DE LA VENTA O UTILIZACION DE ESTE PRODUCTO. ALGUNOS ESTADOS DE LOS EE.UU. Y ALGUNAS PROVINCIAS CANADIENSES NO PERMITEN LA EXCLUSION O LIMITACION DE LOS DAÑOS INCIDENTALES O EMERGENTES, POR LO QUE ES POSIBLE QUE LA LIMITACION O EXCLUSION ANTERIOR NO SEA APLICABLE EN EL CASO DE USTED.

ESTA GARANTIA LIMITADA LE CONFIERE A USTED DERECHOS LEGALES ESPECIFICOS Y ES POSIBLE QUE USTED TAMBIEN TENGA OTROS DERECHOS QUE VARIAN DE ESTADO A ESTADO EN LOS EE.UU., DE PROVINCIA A PROVINCIA EN CANADA Y DE UN PAIS A OTRO.

ESTA GARANTIA LIMITADA SE APLICA SOLAMENTE A HERRAMIENTAS ELECTRICAS PORTATILES Y PARA TABLERO DE BANCO VENDIDAS EN LOS ESTADOS UNIDOS DE AMERICA, CANADA Y EL ESTADO LIBRE ASOCIADO DE PUERTO RICO. PARA COBERTURA DE GARANTIA EN OTROS PAISES, PONGASE EN CONTACTO CON SU DISTRIBUIDOR O IMPORTADOR LOCAL DE BOSCH.

© Robert Bosch Tool Corporation 1800 W. Central Road Mt. Prospect, IL 60056-2230

Exportado por: Robert Bosch Tool Corporation Mt. Prospect, IL 60056-2230, E.U.A.

Importado en México por: Robert Bosch, S.A. de C.V., Calle Robert Bosch No. 405, Zona Industrial, Toluca, Edo. de México, C.P. 50070, Tel. (722) 2792300

2610033452 02/14



2 6 1 0 0 3 3 4 5 2

Printed in Mexico