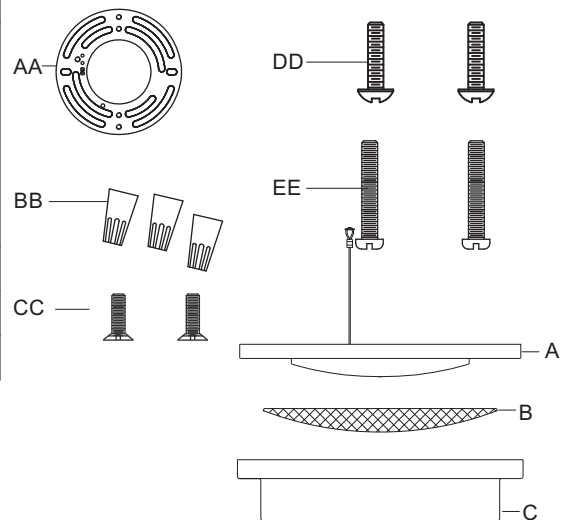


REVISED 2018-04-12

PACKAGE CONTENTS

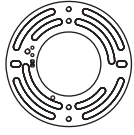
PART	DESCRIPTION	QUANTITY	Stock Part#
AA	Crossbar	1pc	913752KIT
BB	Wire Connector	3pcs	
CC	Mounting Screw	2pcs	
DD	Outlet Box Screw	2pcs	
EE	Lock Screw	2pcs	
A	Fixture Body	1pc	N/A
B	Shade	1pc	G13751SH
C	Shade Holder	1pc	N/A



Questions, problems, missing parts?

Before returning to your retailer, call our customer service at 1-800-645-3184, Monday - Friday, 7:00 a.m. -4:00 p.m., CST .

HARDWARE CONTENTS Note: Hardware not shown actual size.



AA Crossbar
x 1



BB Wire Connector
x 3



CC Mounting Screw
x 2



DD Outlet Box Screw
x 2



EE Lock Screw
x 2

! SAFETY INFORMATION

Please read and understand this entire manual before attempting to assemble, operate or install the product.

WARNING:

- Turn off electricity at main fuse box (or circuit breaker box) before beginning installation by removing fuse (or switching off circuit breaker).
- Be careful not to damage or cut the wire insulation (covering) during fixture installation. Do not permit wires to contact any surface having a sharp edge. To do so may damage or cut the wire insulation, which could cause serious injury or death from electric shock

CAUTION:

- All electrical connections must be in agreement with local codes, ordinances or the national electric code (NEC). Contact your municipal building department to learn about your local codes, permits and/or inspections.
- Risk of fire – most dwellings built before 1985 have supply wire rated for 140°F/60°C. Consult a qualified electrician before installation.
- Do not connect this fixture to an electrical system that does not provide a means for equipment grounding. Never use a fixture in a two-wire system that is not grounded. If you are not sure your lighting system has a grounding means, do not attempt to install this fixture. Contact a qualified, licensed electrician for information with regards to proper grounding methods as required by the local electrical code in your area.
- If a dimmer control switch is used with this fixture, obtain professional advice to determine the correct type and electrical rating required.

PREPARATION

Before beginning assembly, installation or operation of product, make sure all parts are present. Compare parts with package contents list and diagram on previous page. If any part is missing or damaged, do not attempt to assemble, install or operate the product. Contact customer service for replacement parts

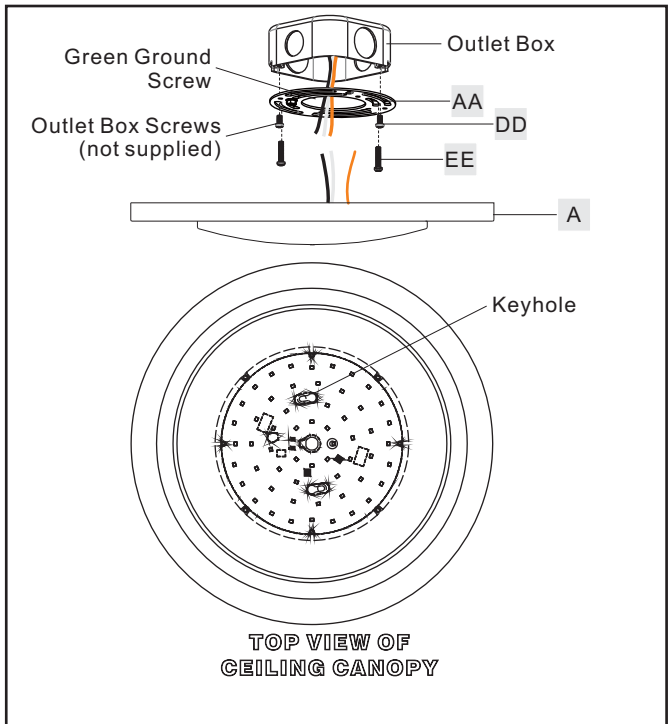
Light Source: LED 30W

Tools Required for Assembly (not included): Screwdriver, Phillips Screwdriver, Pliers, Electrical Tape, Safety Glasses, Ladder.

ASSEMBLY INSTRUCTIONS

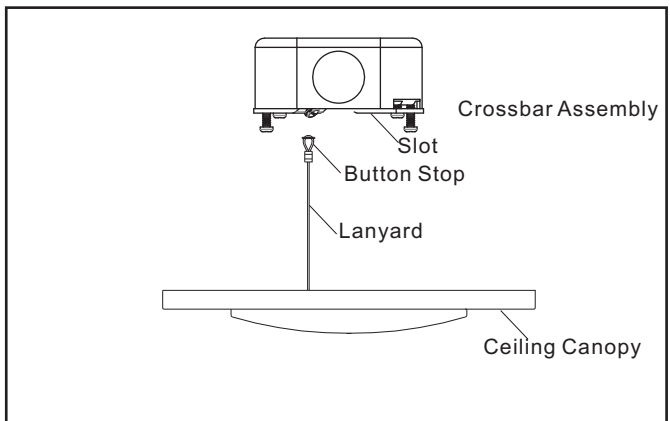
STEP 1:

- Measure the distance between two keyholes on the top of the Fixture Body (A). Use this distance to identify corresponding mounting holes on the Crossbar (AA) and thread Mounting Screws (EE) into mounting holes.
- Attach slots on the Crossbar (AA) to mounting holes on outlet box with the head of Green Ground Screw facing you. Secure the Crossbar (AA) with Outlet Box Screws (DD). Tighten until snug with screwdrivers.
- Test fit the Fixture Body (A) to Mounting Screws (EE) and adjust the length of Mounting Screws (EE) so that the Fixture Body (A) flush against the ceiling after installation. You may need to test fit more than one time to achieve the correct length of the Mounting Screw (EE).



STEP 2:

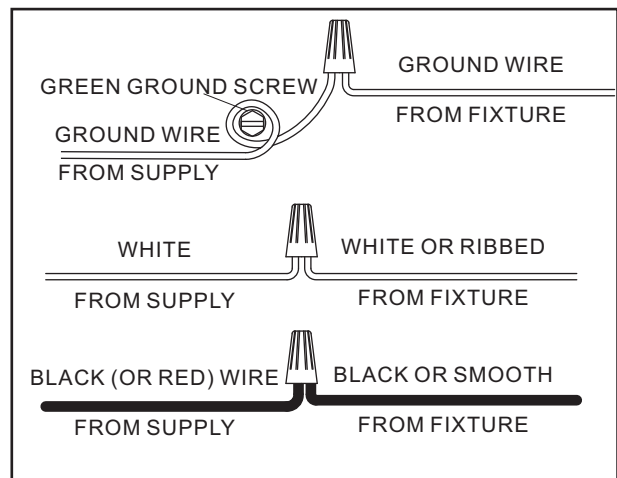
- The lanyard is provided as a means to support the fixture from the junction box while connecting the electrical wires. This enables the fixture to hang from the junction box and your hands are free to make the wire connections.
- Turn the button stop so it may be inserted into the crossbar slot. Make sure the button stop is completely inside the crossbar.
- Slowly release the fixture to make sure it is supported by the button stop.
- Proceed to Step 3. Once wiring is complete, the lanyard will push into the junction box when the Ceiling Canopy is Attached to the Ceiling.



STEP 3:

*** Use Wire Connectors (supplied) to connect the wires.**

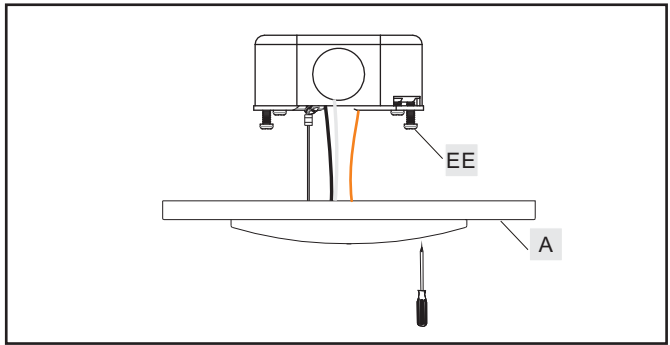
- Ground Wire:
 - Wrap supply **ground wire** around **green ground screw** on mounting bracket, no less than 2 in. from the end of the wire. Tighten **ground screw**.
 - Connect fixture green **ground wire** to **supply ground wire** with wire connector.
- Supply Wire:
 - Connect the **supply white wire** to the **white fixture supply wire** with wire connector.
 - Connect the **supply black (or red) wire** to the **black fixture supply wire** with wire connector.
 - Wrap each connection with approved electrical tape and carefully stuff all of the connected wires into the outlet box.



ASSEMBLY INSTRUCTIONS

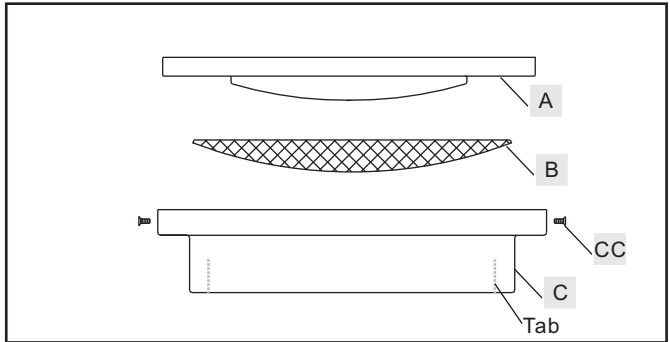
STEP 4:

- a. Align Mounting Screws (EE) to keyholes on the Fixture Body (A) and twist the Fixture Body (A) until the Fixture Body (A) is hung safely.
- b. Using Phillips screwdrivers, tighten Mounting Screws (EE) from holes on the lens as needed to secure the Fixture Body (A).



STEP 5:

- a. Place the Shade (B) into the Shade Holder (C) and fold tabs to secure it.
- b. Lift the Shade Holder (C) with the Shade (B) upward and align holes on the Shade Holder (C) to mounting holes on the Fixture Body (A).
- c. Thread screws into each hole. Do not fully tighten.
- d. Tighten all screws with screwdriver once all are threaded into the mounting holes.



Your installation is completed now. Restore electricity. Retain this sheet for future reference.

CARE AND MAINTENANCE

- To clean, turn off and wipe with a damp, non-abrasive cloth.

TROUBLESHOOTING

1) The light does not come on at all:

- a) Make sure the wall switch and circuit breaker are on.
- b) Make sure the wiring is correct.

2) Fuse blows or circuit trips when light is turned on.

- a) Check for crossed wires, ensure wiring is correct.

If unable to fix any of the above issues, please consult a certified electrician.

FIVE-YEAR LIMITED WARRANTY: If, during normal use, this PATRIOT LIGHTING® light breaks or fails due to a defect in material or workmanship within five (5) year from the date of original purchase, simply bring this light with the original sales receipt back to your nearest MENARDS® retail store. At its discretion, PATRIOT LIGHTING® agrees to have the light or any defective part(s) repaired or replaced with the same or similar PATRIOT LIGHTING® product or part free of charge, within the stated warranty period, when returned by the original purchaser with the original sales receipt. This warranty; (1) excludes expendable parts; (2) shall be void if this tool is used for commercial and/or retail purposes; and (3) does not cover any losses, injuries to persons/property or costs. This warranty does give you specific legal rights and you may have other rights, which vary from state to state.



Questions, problems, missing parts?

Before returning to your retailer, call our customer service at 1-800-645-3184, Monday - Friday, 7:00 a.m. -4:00 p.m., CST .