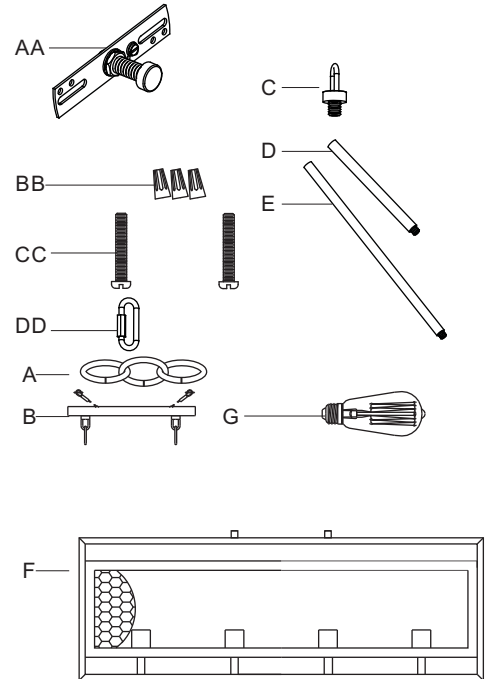


REVISED 2018-04-12

PACKAGE CONTENTS

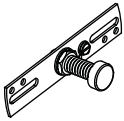
PART	DESCRIPTION	QUANTITY	Stock Part#
AA	Crossbar Assembly	1 pc	913765KIT
BB	Wire Connector	3 pcs	
CC	Outlet Box Screw	2 pcs	
DD	Quick Link	4 pcs	
A	Fixture Chain	2 pcs	M381CHEK
B	Ceiling Canopy	1 pc	N/A
C	Fixture Loop	2 pcs	
D	6" Rod	2 pcs	9006EXEK
E	12" Rod	6 pcs	9012EXEK
F	Fixture Body	1 pc	N/A
G	Vintage Bulb	4 pcs	



Questions, problems, missing parts?

Before returning to your retailer, call our customer service at 1-800-645-3184, Monday - Friday, 7:00 a.m. -4:00 p.m., CST.

HARDWARE CONTENTS Note: Hardware not shown actual size.



AA Crossbar
x 1



BB Wire Connector
x 3



CC Outlet Box Screw
x 2



DD Quick Link
x 4



SAFETY INFORMATION

Please read and understand this entire manual before attempting to assemble, operate or install the product.

WARNING:

- Turn off electricity at main fuse box (or circuit breaker box) before beginning installation by removing fuse (or switching off circuit breaker).
- Be careful not to damage or cut the wire insulation (covering) during fixture installation. Do not permit wires to contact any surface having a sharp edge. To do so may damage or cut the wire insulation, which could cause serious injury or death from electric shock

CAUTION:

- All electrical connections must be in agreement with local codes, ordinances or the national electric code (NEC). Contact your municipal building department to learn about your local codes, permits and/or inspections.
- Risk of fire – most dwellings built before 1985 have supply wire rated for 140°F/60°C. Consult a qualified electrician before installation.
- Do not connect this fixture to an electrical system that does not provide a means for equipment grounding. Never use a fixture in a two-wire system that is not grounded. If you are not sure your lighting system has a grounding means, do not attempt to install this fixture. Contact a qualified, licensed electrician for information with regards to proper grounding methods as required by the local electrical code in your area.
- If a dimmer control switch is used with this fixture, obtain professional advice to determine the correct type and electrical rating required.

PREPARATION

Before beginning assembly, installation or operation of product, make sure all parts are present. Compare parts with package contents list and diagram on previous page. If any part is missing or damaged, do not attempt to assemble, install or operate the product. Contact customer service for replacement parts.

Light Source: (4) 60W Type-S medium base vintage-style bulb, Alternate (4) LED bulb.

Tools Required for Assembly (not included): Screwdriver, Phillips Screwdriver, Pliers, Electrical Tape, Safety Glasses, Ladder.

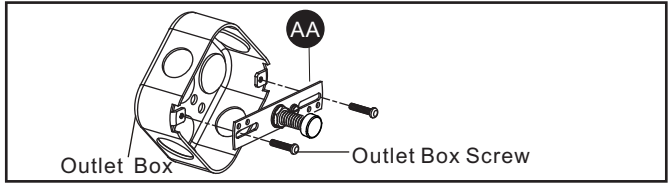
Helpful Tools: Wire Strippers

ASSEMBLY INSTRUCTIONS

STEP 1:

- a. Secure the crossbar (AA) to the outlet box (not included) with outlet box screws. Tighten until snug.

Note: The preassembled mounting nipple on the crossbar should protrude outward.

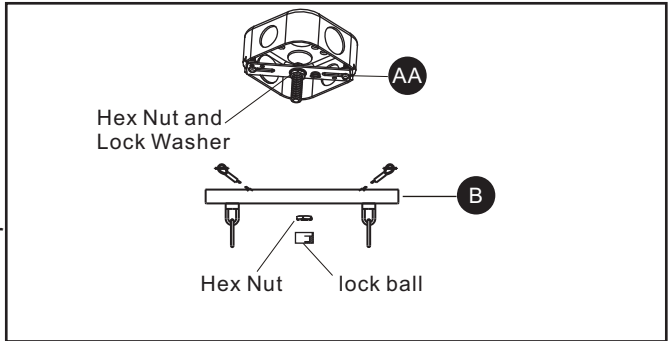


STEP 2:

- a. Remove lock ball and Hex Nut from crossbar assembly (AA).
- b. Fit ceiling canopy (B) over the nipple on crossbar assembly and secure with lock ball.

Note: The ceiling canopy should be snug against the ceiling and the lock ball.

- If not, adjust the length of the nipple on the crossbar assembly by unscrewing the preassembled hex nut.
- Then, screw the nipple in or out of the crossbar until the desired length is achieved.
- Once the ceiling canopy is secure, remove the lock ball and ceiling canopy and proceed to Step 3.



STEP 3:

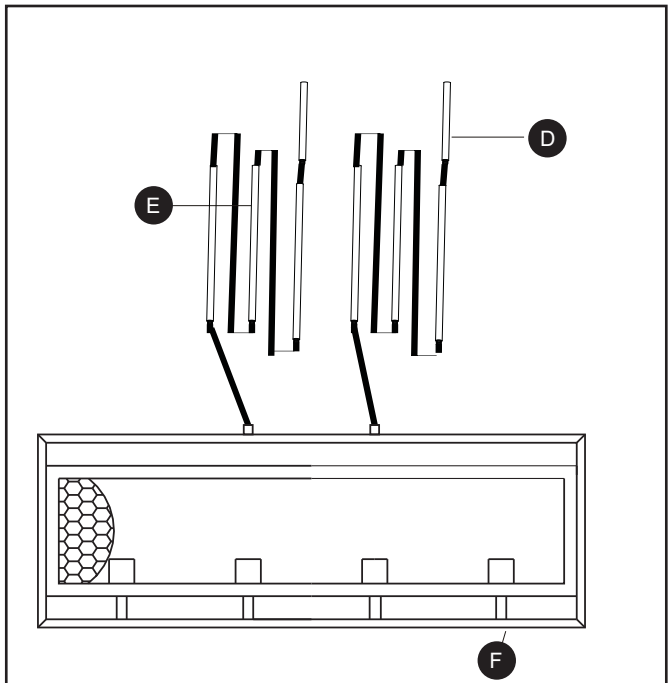
- a. Choose desired hanging length for the light fixture. Suggested mounting height over a table or island is 30 inches from the table/island top to the bottom of the fixture.
- b. Assemble the necessary rods using the 6 inches rod(s) and/or 12 inches rod(s).
- c. Pass supply wires and ground wires through the rod assembly.
- d. Attach the rod assembly to fixture.
- e. Hand-tighten until snug.

- Assemble one rod at a time.
- Pass the ground wire through the rod first.
- Then, pass the supply wire through the rod.
- Thread the rod by hand until snug.

Suggested rod length to hang fixture 30 inches above table top:

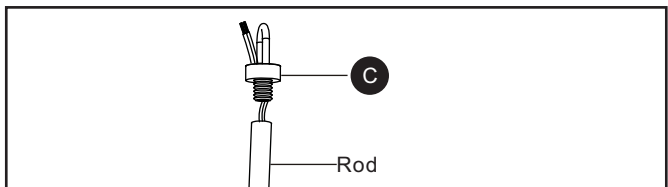
- 8 ft. ceiling (2) 12 inch rods + (2) 6 inch rods
- 9 ft. ceiling (4) 12 inch rods + (2) 6 inch rods
- 10 ft. ceiling (6) 12 inch rods + (2) 6 inch rods

Note: If mounting over an Island, subtract 6 inches from the lengths listed above.



STEP 4:

- a. Pass supply wires and ground wire through the fixture loop (C).
- b. Thread the fixture loops (C) to the end of each rod.
- c. Hand-tighten until snug.



ASSEMBLY INSTRUCTIONS

STEP 5:

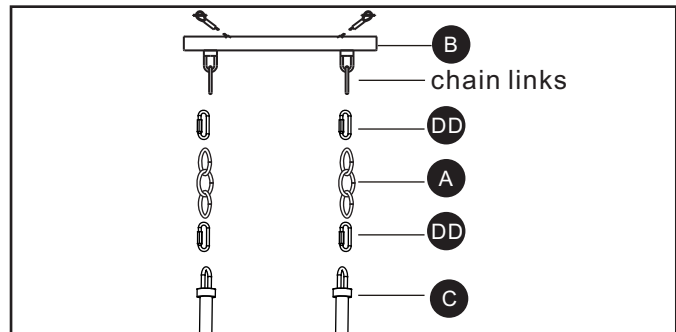
- Pass supply wires and ground wire through the quick link, fixture chain and ceiling canopy.

8,9 and 10 ft. Ceilings

- Connect the Fixture Loops (C) to the chain links on the underside of the Ceiling Canopy (B) by using Quick Links (DD). Continue to step 6.

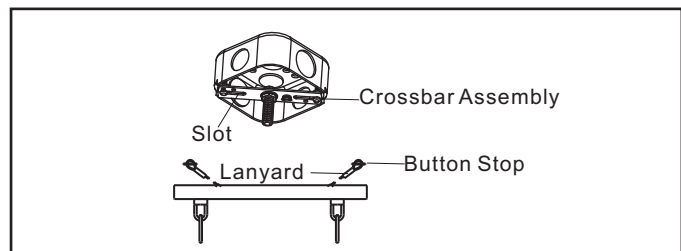
11 and 12 ft. ceilings

- If mounting to 11 or 12 foot ceiling, attach fixture chain to fixture loop.
 - Adjust the Fixture Chain (A) to the desired length, removing links if needed.
 - 11 ft. ceiling (6) 12 inches rods + (2) 6 inches rods + 12 inches of chain.
 - 12 ft. ceiling (6) 12 inches rods + (2) 6 inches rods + 24 inches of chain.
- Note:** You may need to use pliers (not included) to open the links of Fixture Chain. If so, put a cloth over the Fixture Chain to protect the finish from the pliers.
- Connect one end of the Fixture Chain (A) to the chain links on the underside of the Ceiling Canopy (B) with one Quick Link (DD).
 - Connect the other end of the Fixture Chain (A) to the Fixture Loop (C) with the remaining Quick Link (DD).



STEP 6:

- The lanyard is provided as a means to support the fixture from the junction box while connecting the electrical wires. This enables the fixture to hang from the junction box and your hands are free to make the wire connections.
- Turn the button stop so it may be inserted into the crossbar slot. Make sure the button stop is completely inside the crossbar.
- Slowly release the fixture to make sure it is supported by the button stop.
- Proceed to Step 8. Once wiring is complete, the lanyard will push into the junction box when the Ceiling Canopy is Attached to the ceiling.



ASSEMBLY INSTRUCTIONS

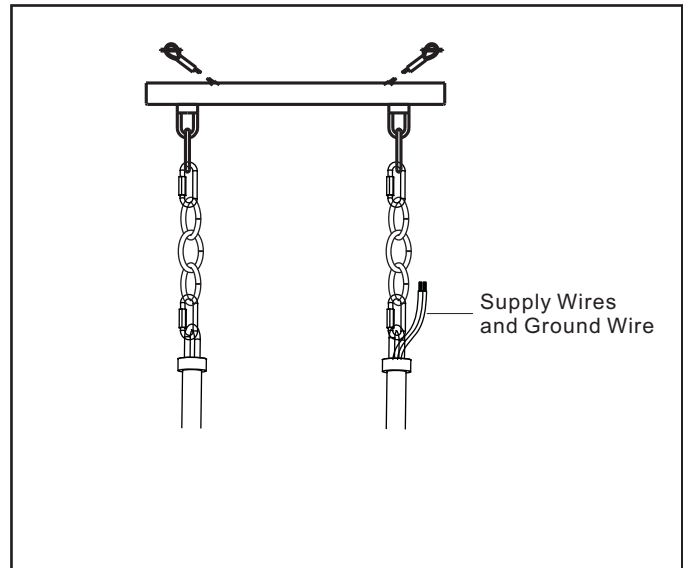
STEP 7:

- a. Confirm that the mounting height is acceptable. Refer to STEP 3 or STEP 5 if changes are required.

Note: To make the next step easier, cut the supply wire and ground wire 24 inches longer than the distance from the fixture loop to the ceiling.

Important: Please pay attention to the polarity (wires labels L & N) when cutting wires. Wire identification will be needed in STEP 8.

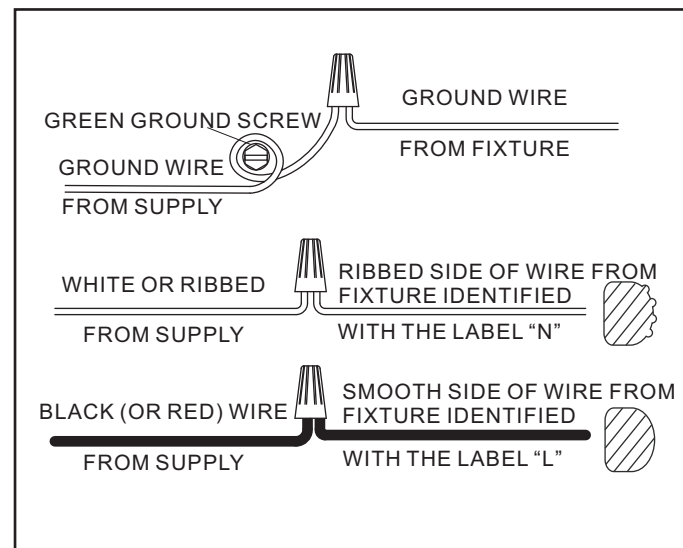
- b. Pass supply wires and ground wire through the quick link and the ceiling canopy and remove any remaining slack in the wire.
- c. Trim excess fixture wire leaving a minimum of 6 inches extending beyond the edge of the ceiling canopy.
- d. Separate the smooth side and ribbed side of the supply wire to about 3 inches from the end.
- e. Using wire strippers, strip each wire ½ inch from the end.



STEP 8:

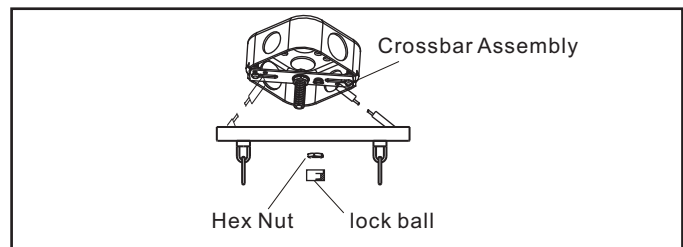
* **Use Wire Connectors (supplied) to connect the wires.**

- a) Ground Wire:
 1. Wrap supply **ground wire** around **green ground screw** on mounting bracket, no less than 2 in. from the end of the wire. Tighten **ground screw**.
 2. Connect fixture green **ground wire** to **supply ground wire** with wire connector.
- b) Supply Wire:
 1. Connect the **house white wire** to the **fixture supply wire (ribbed sided)** from fixture identified with the label "N".
 2. Connect the **house black (or red) wire** to the **fixture supply wire (smooth side)** from fixture identified with the label "L".
 3. Wrap each connection with approved electrical tape and carefully stuff all of the connected wires into the **outlet box**.



STEP 9:

- A. Re-attach the ceiling canopy to the crossbar assembly.
- b. Secure with the previously removed kunrled nut.
- c. Then, attached the lock ball over the ceiling canopy.



STEP 10:

- a. Install correct bulbs referring to fixture markings and/or labels for maximum wattage. Your installation is completed now. Restore electricity. Retain this sheet for future reference.

CARE AND MAINTENANCE

- To clean, turn off and wipe with a damp, non-abrasive cloth.

TROUBLESHOOTING

1) The light does not come on at all:

- a) Make sure the wall switch and circuit breaker are on.
- b) Make sure the wiring is correct.

2) Fuse blows or circuit trips when light is turned on.

- a) Check for crossed wires, ensure wiring is correct.

If unable to fix any of the above issues, please consult a certified electrician.

FIVE-YEAR LIMITED WARRANTY: If, during normal use, this PATRIOT LIGHTING® light breaks or fails due to a defect in material or workmanship within five (5) year from the date of original purchase, simply bring this light with the original sales receipt back to your nearest MENARDS® retail store. At its discretion, PATRIOT LIGHTING® agrees to have the light or any defective part(s) repaired or replaced with the same or similar PATRIOT LIGHTING® product or part free of charge, within the stated warranty period, when returned by the original purchaser with the original sales receipt. This warranty; (1) excludes expendable parts; (2) shall be void if this tool is used for commercial and/or retail purposes; and (3) does not cover any losses, injuries to persons/property or costs. This warranty does give you specific legal rights and you may have other rights, which vary from state to state.



Questions, problems, missing parts?

Before returning to your retailer, call our customer service at 1-800-645-3184, Monday - Friday, 7:00 a.m. -4:00 p.m., CST .