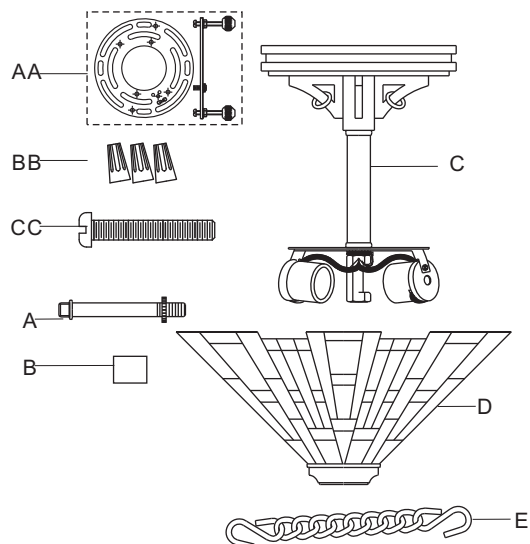


REVISED 2018-04-12

## PACKAGE CONTENTS

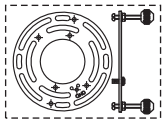
PART	DESCRIPTION	QUANTITY	Stock Part#
A	Center Stem	1 pc	N/A
B	Finial	1 pc	M1373FIVA
C	Socket Assembly	1 pc	N/A
D	Shade	1 pc	G13755SH
E	Side Chain	4 pcs	M13757CHVA
AA	Crossbar Assembly	1 pc	913759KIT
BB	Wire Connector	3 pcs	
CC	Outlet Box Screw	2 pcs	



### Questions, problems, missing parts?

Before returning to your retailer, call our customer service at 1-800-645-3184, Monday - Friday, 7:00 a.m. -4:00 p.m., CST .

## HARDWARE CONTENTS Note: Hardware not shown actual size.



**AA** Crossbar Assembly  
x 1



**BB** Wire Connector  
x 3



**CC** Outlet Box Screw  
x 2

## SAFETY INFORMATION

Please read and understand this entire manual before attempting to assemble, operate or install the product.

### WARNING:

- Turn off electricity at main fuse box (or circuit breaker box) before beginning installation by removing fuse (or switching off circuit breaker).
- Be careful not to damage or cut the wire insulation (covering) during fixture installation. Do not permit wires to contact any surface having a sharp edge. To do so may damage or cut the wire insulation, which could cause serious injury or death from electric shock

### CAUTION:

- All electrical connections must be in agreement with local codes, ordinances or the national electric code (NEC). Contact your municipal building department to learn about your local codes, permits and/or inspections.
- Risk of fire – most dwellings built before 1985 have supply wire rated for 140°F/60°C. Consult a qualified electrician before installation.
- Do not connect this fixture to an electrical system that does not provide a means for equipment grounding. Never use a fixture in a two-wire system that is not grounded. If you are not sure your lighting system has a grounding means, do not attempt to install this fixture. Contact a qualified, licensed electrician for information with regards to proper grounding methods as required by the local electrical code in your area.
- If a dimmer control switch is used with this fixture, obtain professional advice to determine the correct type and electrical rating required.

## PREPARATION

Before beginning assembly, installation or operation of product, make sure all parts are present. Compare parts with package contents list and diagram on previous page. If any part is missing or damaged, do not attempt to assemble, install or operate the product. Contact customer service for replacement parts.

Light Source: (2) 100W Type-A medium base bulbs, Alternate (2) LED bulbs.

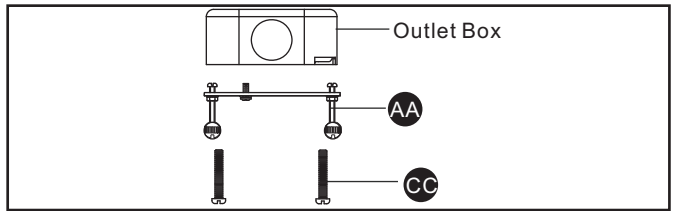
Tools Required for Assembly (not included): Flathead screwdriver, Phillips screwdriver, Pliers, Electrical tape, Wire cutter, Safety glasses, ladder.

## ASSEMBLY INSTRUCTIONS

### STEP 1:

- a. Secure the crossbar (AA) to the outlet box (not included) with outlet box screws (CC). Tighten until snug.
 

**Note:** The preassembled mounting screws on the crossbar should protrude outward.

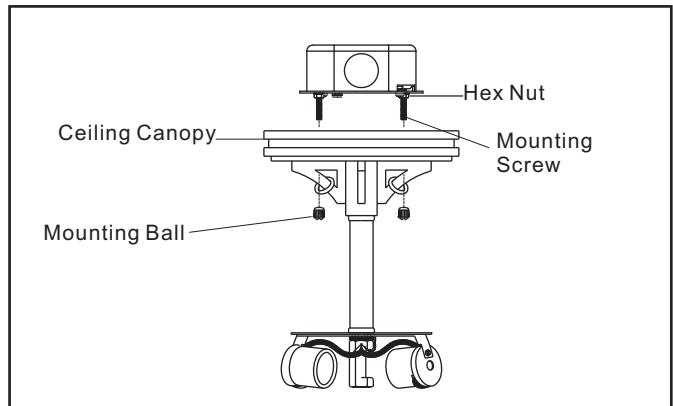


### STEP 2:

- a. Remove mounting balls from the crossbar assembly (AA).
- b. Fit the ceiling canopy to the crossbar assembly and secure with mounting balls.
 

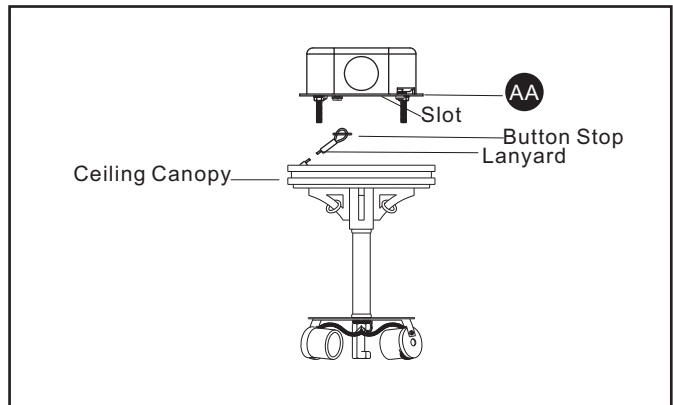
**Note:** The ceiling canopy should be snug against the ceiling and the mounting balls.

  - If not, adjust the length of the mounting screws on the crossbar assembly by unscrewing the preassembled hex nuts.
  - Then, screw the mounting screws in or out of the crossbar until the desired length is achieved.
  - Once the ceiling canopy is secure, remove the mounting balls and ceiling canopy and proceed to Step 3.



### STEP 3:

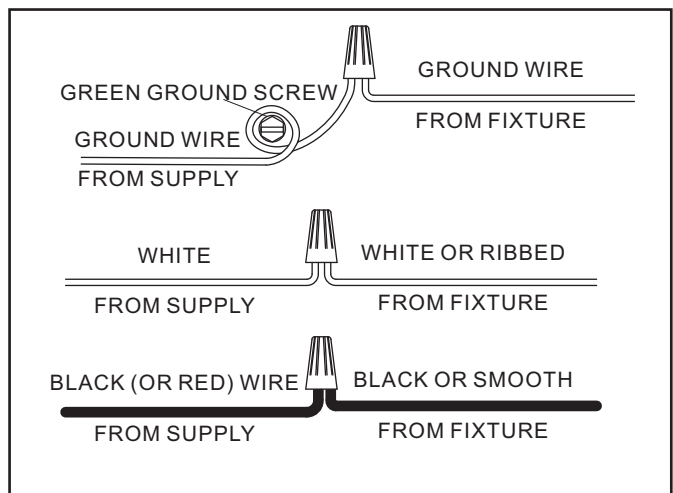
- a. The lanyard is provided as a means to support the fixture from the junction box while connecting the electrical wires. This enables the fixture to hang from the junction box and your hands are free to make the wire connections.
- b. Turn the button stop so it may be inserted into the crossbar slot. Make sure the button stop is completely inside the crossbar.
- c. Slowly release the fixture to make sure it is supported by the button stop.
- d. Proceed to Step 4. Once wiring is complete, the lanyard will push into the junction box when the Ceiling Canopy is Attached to the ceiling.



### STEP 3:

**\* Use Wire Connectors (supplied) to connect the wires.**

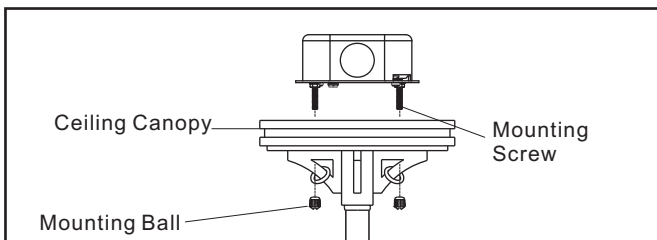
- a) Ground Wire:
  1. Wrap supply **ground wire** around **green ground screw** on mounting bracket, no less than 2 in. from the end of the wire. Tighten **ground screw**.
  2. Connect fixture green **ground wire** to **supply ground wire** with wire connector.
- b) Supply Wire:
  1. Connect the **supply white wire** to the **white fixture supply wire** with wire connector.
  2. Connect the **supply black (or red) wire** to the **black fixture supply wire** with wire connector.
  3. Wrap each connection with approved electrical tape and carefully stuff all of the connected wires into the outlet box.



## ASSEMBLY INSTRUCTIONS

### STEP 5:

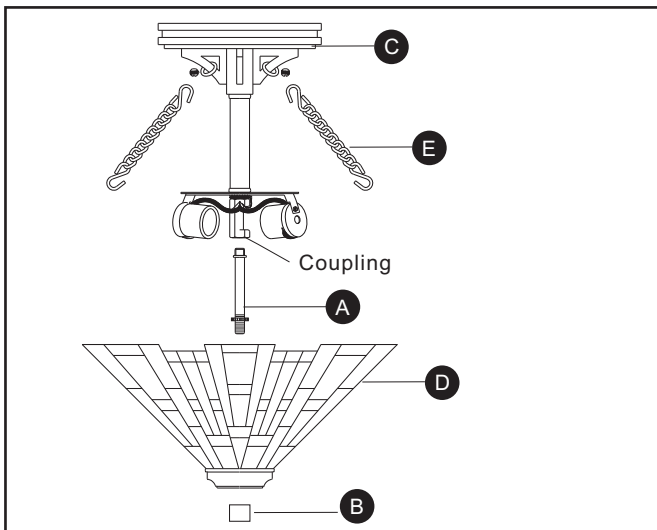
- a. Re-attach the ceiling canopy of the socket assembly (C) to the crossbar assembly (AA).
- b. Secure with the previously removed mounting balls.



### STEP 6

**Note: We recommend 2 people for this step.**

- a. Thread the beaded end of Center Stem (A) into the Coupling on the underside of the Socket Cluster. Hand tighten until snug.
- b. Pass the Shade (D) over the end of the Center Stem (A). Secure by threading the Finial (B) onto the Center Stem (A). Hand tighten until snug.
- c. One person hold the Shade (D), another person attach the Loop on one end of the Side Chain (E) to the Hook on the side of the Fixture Canopy of Socket Assembly (C). Attach the Loop on the other end of the Side Chain (E) to the Hook inside of the Shade (D).



### STEP 6:

- a. Install correct bulbs referring to fixture markings and/or labels for maximum wattage.

Your installation is completed now. Restore electricity. Retain this sheet for future reference.

## CARE AND MAINTENANCE

- To clean, turn off and wipe with a damp, non-abrasive cloth.

## TROUBLESHOOTING

### 1) The light does not come on at all:

- a) Make sure the wall switch and circuit breaker are on.
- b) Make sure the wiring is correct.

### 2) Fuse blows or circuit trips when light is turned on.

- a) Check for crossed wires, ensure wiring is correct.

If unable to fix any of the above issues, please consult a certified electrician.

**FIVE-YEAR LIMITED WARRANTY:** If, during normal use, this PATRIOT LIGHTING® light breaks or fails due to a defect in material or workmanship within five (5) year from the date of original purchase, simply bring this light with the original sales receipt back to your nearest MENARDS® retail store. At its discretion, PATRIOT LIGHTING® agrees to have the light or any defective part(s) repaired or replaced with the same or similar PATRIOT LIGHTING® product or part free of charge, within the stated warranty period, when returned by the original purchaser with the original sales receipt. This warranty; (1) excludes expendable parts; (2) shall be void if this tool is used for commercial and/or retail purposes; and (3) does not cover any losses, injuries to persons/property or costs. This warranty does give you specific legal rights and you may have other rights, which vary from state to state.



### Questions, problems, missing parts?

Before returning to your retailer, call our customer service at 1-800-645-3184, Monday - Friday, 7:00 a.m. -4:00 p.m., CST .