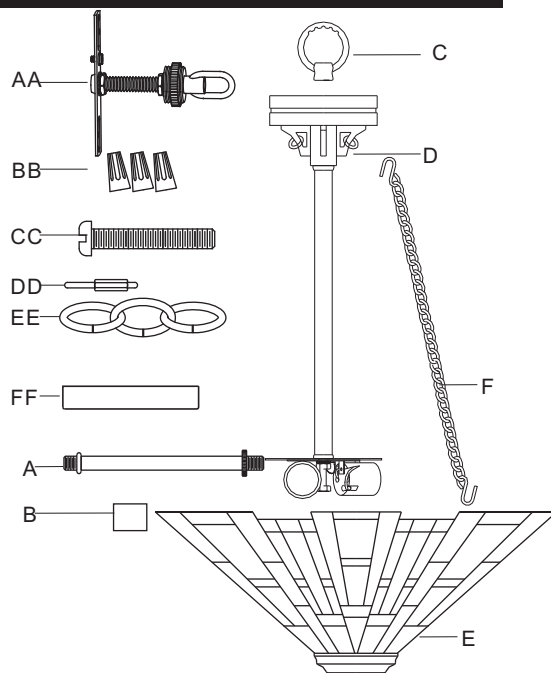


REVISED 2018-04-12

PACKAGE CONTENTS

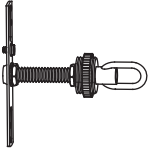
PART	DESCRIPTION	QUANTITY	Stock Part#
A	Center Stem	1 pc	N/A
B	Finial	1 pc	M1373FIVA
C	Fixture Loop	1 pc	N/A
D	Socket Assembly	1 pc	
E	Shade	1 pc	G13754SH
F	Side Chain	4 pcs	M13756CHVA
AA	Crossbar Assembly	1 pc	913758KIT
BB	Wire Connector	3 pcs	
CC	Outlet Box Screw	2 pcs	
DD	Quick Link	2 pcs	
EE	Fixture Chain	1 pc	
FF	Ceiling Canopy	1 pc	



Questions, problems, missing parts?

Before returning to your retailer, call our customer service at 1-800-645-3184, Monday - Friday, 7:00 a.m. -4:00 p.m., CST .

HARDWARE CONTENTS Note: Hardware not shown actual size.



AA Crossbar Assembly
x 1



BB Wire Connector
x 3



CC Outlet Box Screw
x 2

SAFETY INFORMATION

Please read and understand this entire manual before attempting to assemble, operate or install the product.

WARNING:

- Turn off electricity at main fuse box (or circuit breaker box) before beginning installation by removing fuse (or switching off circuit breaker).
- Be careful not to damage or cut the wire insulation (covering) during fixture installation. Do not permit wires to contact any surface having a sharp edge. To do so may damage or cut the wire insulation, which could cause serious injury or death from electric shock

CAUTION:

- All electrical connections must be in agreement with local codes, ordinances or the national electric code (NEC). Contact your municipal building department to learn about your local codes, permits and/or inspections.
- Risk of fire – most dwellings built before 1985 have supply wire rated for 140°F/60°C. Consult a qualified electrician before installation.
- Do not connect this fixture to an electrical system that does not provide a means for equipment grounding. Never use a fixture in a two-wire system that is not grounded. If you are not sure your lighting system has a grounding means, do not attempt to install this fixture. Contact a qualified, licensed electrician for information with regards to proper grounding methods as required by the local electrical code in your area.
- If a dimmer control switch is used with this fixture, obtain professional advice to determine the correct type and electrical rating required.

PREPARATION

Before beginning assembly, installation or operation of product, make sure all parts are present. Compare parts with package contents list and diagram on previous page. If any part is missing or damaged, do not attempt to assemble, install or operate the product. Contact customer service for replacement parts.

Light Source: (3) 100W Type-A medium base bulbs, Alternate (3) LED bulb.

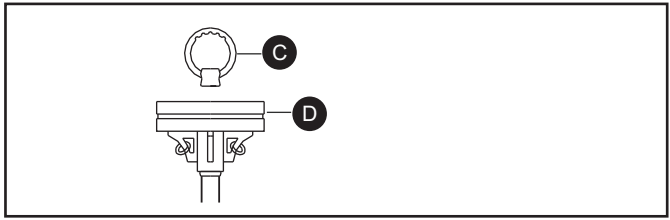
Tools Required for Assembly (not included): Flathead screwdriver, Phillips screwdriver, Wire cutters, Electrical tape, Safety goggles, Ladder, Pliers.

Helpful Tools: Wire Strippers

ASSEMBLY INSTRUCTIONS

STEP 1:

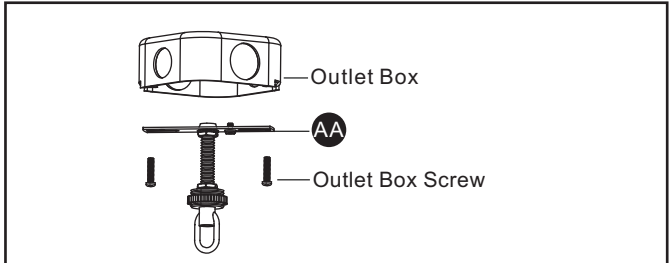
- Thread the fixture loop (C) and the socket assembly (D) together as shown. Hand tighten until snug.



STEP 2:

- Secure the Crossbar Assembly (AA) to the outlet box (not included) with Outlet Box Screws.
- Tighten until snug.

Note: The preassembled mounting nipple on the crossbar should protrude outward.

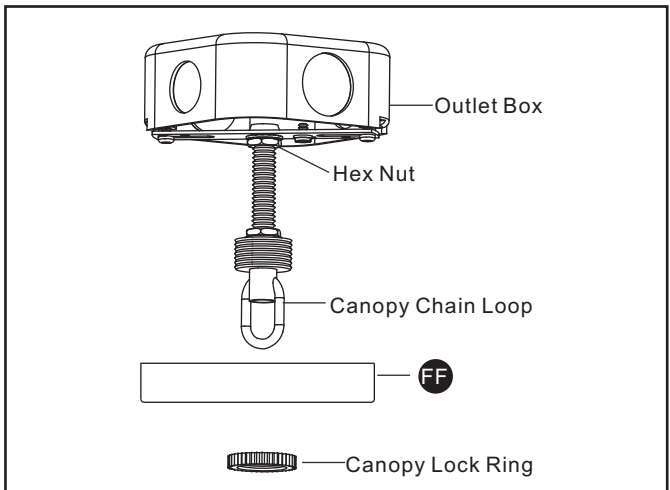


STEP 3:

- Remove the pre-assembled canopy lock ring from the crossbar assembly (AA).
- Temporarily attach the ceiling canopy (FF) to the pre-assembled nipple on the crossbar assembly (AA).
- Secure with canopy lock ring.

Note:

If the ceiling canopy (FF) is not snug against the ceiling, remove it from the crossbar assembly and adjust the length of the pre-assembled nipple by unscrewing the pre-assembled hex nut. Screw the nipple in or out of the crossbar until the correct length is achieved. Then, re-attach the ceiling canopy (FF).



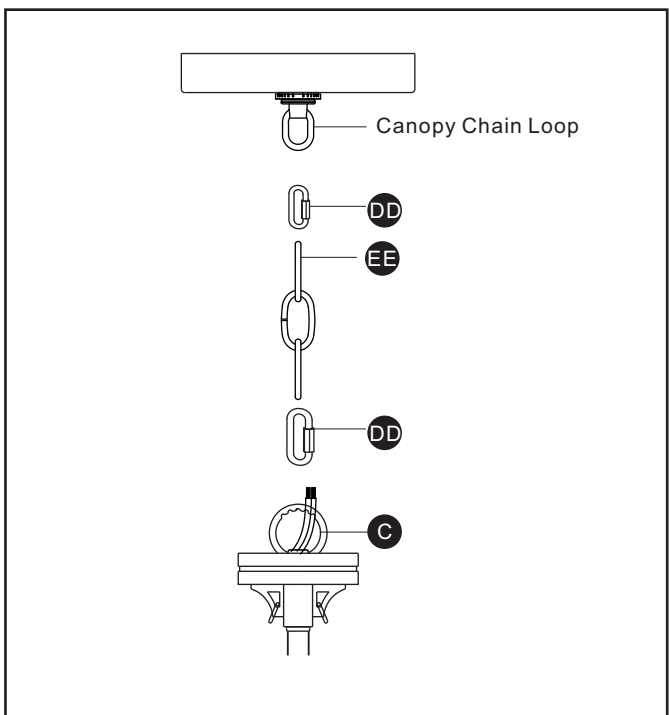
STEP 4:

- Choose desired hanging length for the light fixture. Suggested mounting height over a table or island is 30 inches from the table/island top to the bottom of the fixture.
- Adjust the Fixture Chain (EE) to the desired length, removing links if needed.
- Connect one end of the Fixture Chain (EE) to the canopy chain loop preassembled to Crossbar Assembly (AA) with one Quick Link (DD).
- Connect the other end of the Fixture Chain (EE) to the fixture loop (C) with the remaining Quick Link (DD).

Note: You may need to use pliers (not included) to open the links of Fixture Chain. If so, put a cloth over the Fixture Chain to protect the finish from the pliers.

Suggested chain length to hang fixture 30 inches above table top:

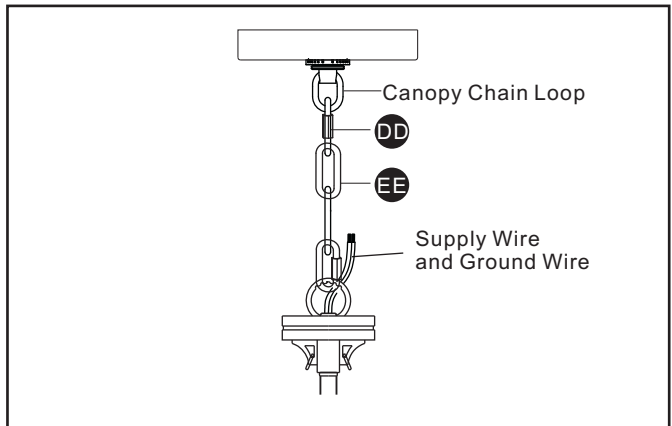
- 8-ft. ceiling: 10 inches of chain + 2 quick links
- 9-ft. ceiling: 22 inches of chain + 2 quick links
- 10-ft. ceiling: 34 inches of chain + 2 quick links
- 11-ft. ceiling: 46 inches of chain + 2 quick links
- 12-ft. ceiling: 58 inches of chain + 2 quick links



ASSEMBLY INSTRUCTIONS

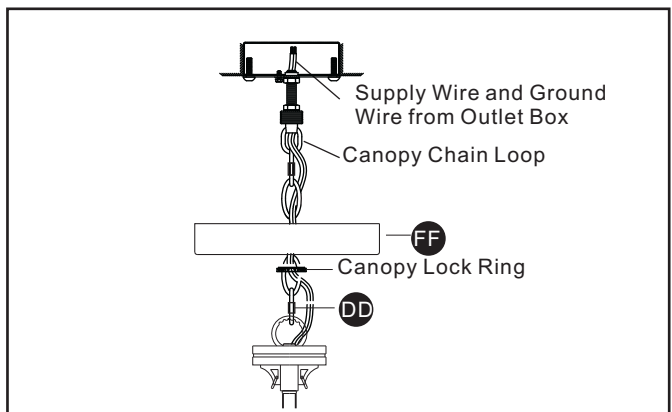
STEP 5:

- Confirm that the mounting height is acceptable. Refer to STEP 4 if changes are required.
Note: To make the next step easier, cut the supply wire and ground wire 24 inches longer than the distance from the fixture loop (C) to the ceiling. Important: Please pay attention to the polarity (wires labels L & N) when cutting wires. Wire identification will be needed in STEP 7.
- Pull the Supply Wires and Ground Wire up through the Fixture Chain (EE) alternating links.
- Push the ends of the supply wires and ground wire up through the canopy chain loop and into the outlet box. The remaining slack wire will be pushed into the box in STEP 6.



STEP 6:

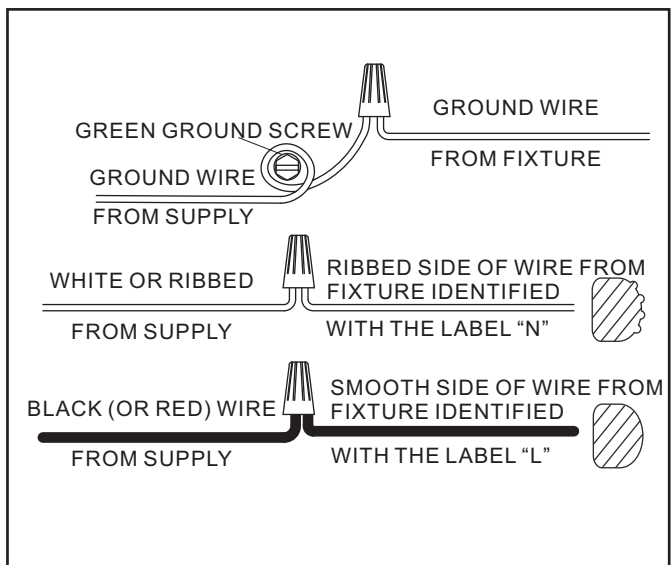
- Unthread the canopy lock ring.
- Slide canopy lock ring and ceiling canopy (FF) down the quick link (DD).
- Push all slack fixture wire through canopy chain loop and into the outlet box.
- Trim excess fixture wire leaving a minimum of 6 inches hanging out of the outlet box.
- Separate the smooth side and ribbed side of the supply wire to about 3 inches from the end.
- Using wire strippers, strip each wire 1/2 inch from the end.



STEP 7:

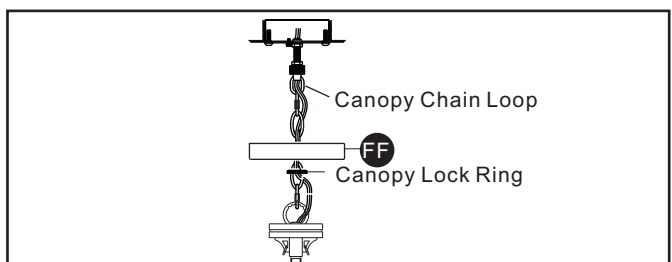
*** Use Wire Connectors (supplied) to connect the wires.**

- Ground Wire:
 - Wrap supply **ground wire** around **green ground screw** on mounting bracket, no less than 2 in. from the end of the wire. Tighten **ground screw**.
 - Connect fixture **ground wire** to **supply ground wire** with wire connector.
- Supply Wire:
 - Connect the **supply white wire** to the **fixture supply wire (ribbed sided)** from fixture identified with the label "N".
 - Connect the **supply black (or red) wire** to the **fixture supply wire (smooth side)** from fixture identified with the label "L".
 - Wrap each connection with approved electrical tape and carefully stuff all of the connected wires into the **outlet box**.



STEP 8:

- Attach the ceiling canopy (FF) back over the canopy chain loop.
- Secure with canopy lock ring.

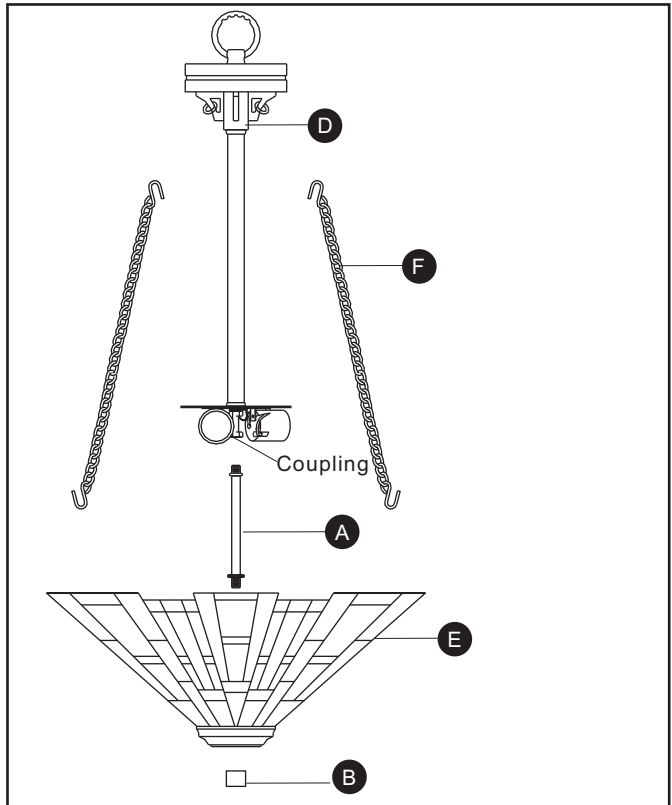


ASSEMBLY INSTRUCTIONS

STEP 9

Note: We recommend 2 people for this step.

- a. Thread the beaded end of Center Stem (A) into the Coupling on the underside of the Socket Cluster. Hand tighten until snug.
- b. Pass the Shade (E) over the end of the Center Stem (A). Secure by threading the Finial (B) onto the Center Stem (A). Hand tighten until snug.
- c. One person hold the Shade (E), another person attach the Loop on one end of the Side Chain (F) to the Hook on the side of the Fixture Canopy of Socket Assembly (D). Attach the Loop on the other end of the Side Chain (F) to the Hook inside of the Shade (E).



STEP 10:

- a. Install correct bulbs referring to fixture markings and/or labels for maximum wattage.

Your installation is completed now. Restore electricity. Retain this sheet for future reference.

CARE AND MAINTENANCE

- To clean, turn off and wipe with a damp, non-abrasive cloth.

TROUBLESHOOTING

1) The light does not come on at all:

- a) Make sure the wall switch and circuit breaker are on.
- b) Make sure the wiring is correct.

2) Fuse blows or circuit trips when light is turned on.

- a) Check for crossed wires, ensure wiring is correct.

If unable to fix any of the above issues, please consult a certified electrician.

FIVE-YEAR LIMITED WARRANTY: If, during normal use, this PATRIOT LIGHTING® light breaks or fails due to a defect in material or workmanship within five (5) year from the date of original purchase, simply bring this light with the original sales receipt back to your nearest MENARDS® retail store. At its discretion, PATRIOT LIGHTING® agrees to have the light or any defective part(s) repaired or replaced with the same or similar PATRIOT LIGHTING® product or part free of charge, within the stated warranty period, when returned by the original purchaser with the original sales receipt. This warranty; (1) excludes expendable parts; (2) shall be void if this tool is used for commercial and/or retail purposes; and (3) does not cover any losses, injuries to persons/property or costs. This warranty does give you specific legal rights and you may have other rights, which vary from state to state.



Questions, problems, missing parts?

Before returning to your retailer, call our customer service at 1-800-645-3184, Monday - Friday, 7:00 a.m. -4:00 p.m., CST .