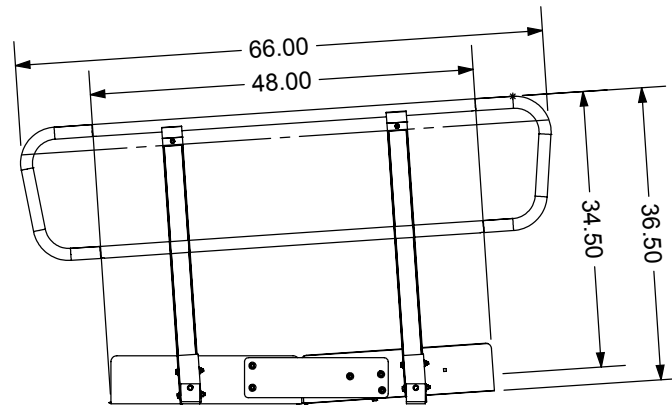
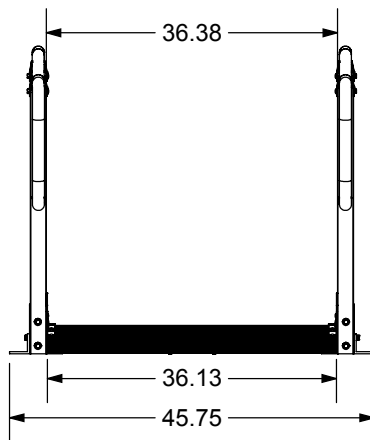
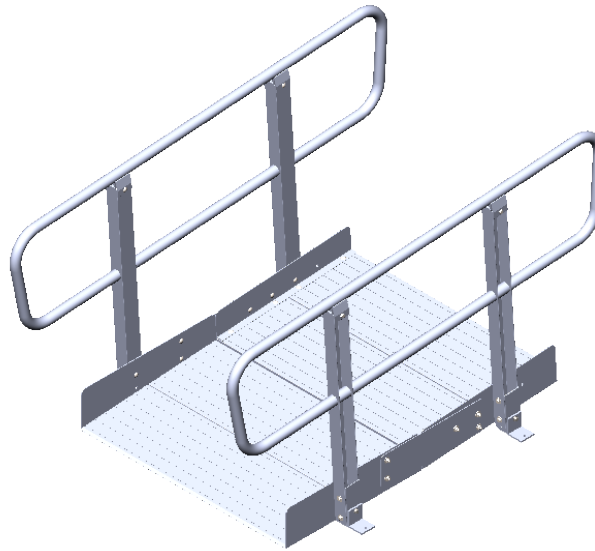



THE INFORMATION CONTAINED IN THIS DRAWING IS THE SOLE PROPERTY OF PRAIRIE VIEW INDUSTRIES ANY REPRODUCTION IN PART OR WHOLE WITHOUT THE WRITTEN PERMISSION OF PRAIRIE VIEW INDUSTRIES IS PROHIBITED.




FILE NAME <b>XP2-4' BOTTOM RAMP</b>		Dr By <b>KAM</b>
PART # <b>ASSEMBLY</b>		CREATED <b>6/22/2017</b>
SCALE <b>1:24</b>	SHEET # <b>1</b>	LAST SAVED <b>6/22/2017</b>
REV #	WT.	

PVI Tolerance <b>±.015</b>
APPROVED

Prairie View Industries

PVI Tolerance  
±.015

APPROVED



Prairie View Industries

