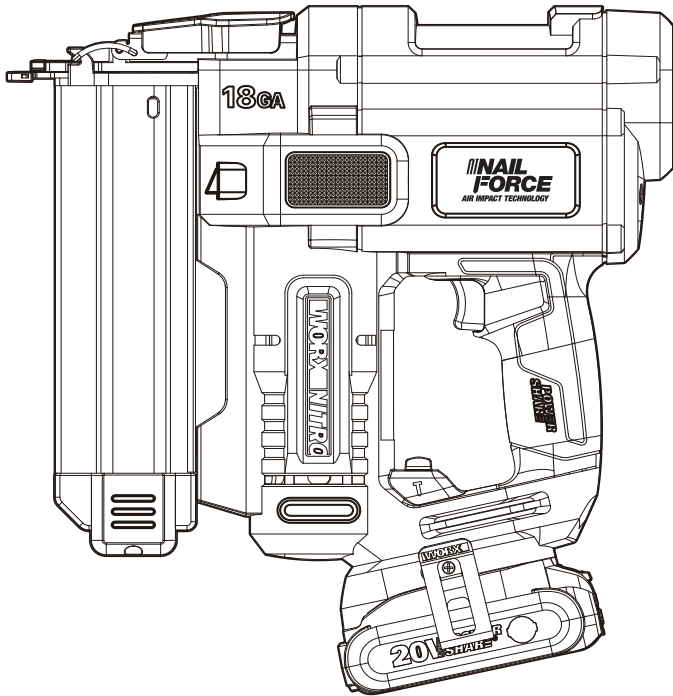


WORX NITRO



20V Cordless 18 Gauge Brad Nailer

EN

P02

Cloueuse Brad calibre 18 sans fil 20 V

F

P14

Pistola de clavos calibre 18 de 20 V sin cable

ES

P23




HELPLINE NUMBER
NUMERO DU SERVICE D'ASSISTANCE
NUMERO DE LINEA DE AYUDA
1-866-354-WORX (9679)

WX842L WX842L.X

TABLE OF CONTENT

1. SAFETY INSTRUCTIONS
2. COMPONENT LIST
3. TECHNICAL DATA
4. INTENDED USE
5. OPERATING INSTRUCTIONS
6. MAINTENANCE
7. TROUBLESHOOTING


1. SAFETY INSTRUCTIONS PRODUCT SAFETY

 **WARNING:** Some dust created by power sanding, sawing, grinding, drilling and other construction activities contains chemicals known to the state of California to cause cancer, birth defects or other reproductive harm. Some examples of these chemicals are:


- Lead from lead-based paints;
- Crystalline silica from bricks and cement and other masonry products;
- Arsenic and chromium from chemically-treated lumber.

2

Your risk from these exposures varies, depending on how often you do this type of work. To reduce your exposure to these chemical: work in a well ventilated area, and work with approved safety equipment, such as those dust masks that are specially designed to filter out microscopic particles.

 **WARNING:** This product can expose you to chemicals including lead and Di(2-ethylhexyl) phthalate (DEHP) which are known to the State of California to cause cancer and birth defects or other reproductive harm. For more information go to www.P65Warnings.ca.gov.

GENERAL POWER TOOL SAFETY WARNINGS

 **WARNING:** Read all safety warnings and instructions. Failure to follow the warnings and instructions may result in electric shock, fire and/or serious injury.

Save all warnings and instructions for future reference.

The term "power tool" in the warnings refers to your mains-operated (corded) power tool or battery-operated (cordless) power tool.

- 1) **Work area safety**
 - a) **Keep work area clean and well lit.** Cluttered or dark areas invite accidents.
 - b) **Do not operate power tools in explosive atmospheres, such as in the presence of flammable liquids, gases or dust.** Power tools create sparks which may ignite the dust or fumes.
 - c) **Keep children and bystanders away while operating a power tool.** Distractions can cause you to lose control.
- 2) **Electrical safety**
 - a) **Power tool plugs must match the outlet. Never modify the plug in any way. Do not use any adapter plugs with earthed (grounded) power tools.** Unmodified plugs and matching outlets will reduce risk of electric shock.
 - b) **Avoid body contact with earthed or grounded surfaces such as pipes, radiators, ranges and refrigerators.** There is an increased risk of electric shock if your body is earthed or grounded.
 - c) **Do not expose power tools to rain or wet conditions.** Water entering a power tool will increase the risk of electric shock.
 - d) **Do not abuse the cord. Never use the cord for carrying, pulling or unplugging the power tool. Keep cord away from heat, oil, sharp edges or moving parts.** Damaged or entangled cords increase the risk of electric shock.
 - e) **When operating a power tool outdoors, use an extension cord suitable for outdoor use.** Use of a cord suitable for outdoor use reduces the risk of electric shock.
 - f) **If operating a power tool in a damp location is unavoidable, use a residual current device (RCD) protected supply.** Use of an RCD reduces the risk of electric shock.
- 3) **Personal safety**
 - a) **Stay alert, watch what you are doing and use common sense when operating a power tool. Do not use a power tool while you are tired or under the influence of drugs, alcohol or medication.** A moment of inattention while operating power tools may result in serious personal injury.
 - b) **Use personal protective equipment. Always wear eye protection.** Protective equipment such as dust mask, non-skid safety shoes, hard hat, or hearing protection used for appropriate conditions will reduce personal injuries.
 - c) **Prevent unintentional starting. Ensure the switch is in the off-position before connecting to power source and/or battery pack, picking up or carrying the tool.** Carrying power tools with your finger on the switch or energising power tools that have the switch on invites accidents.
 - d) **Remove any adjusting key or wrench before turning the power tool on.** A wrench or a key left attached to a rotating part of the power tool may

result in personal injury.

- e) **Do not overreach. Keep proper footing and balance at all times.** This enables better control of the power tool in unexpected situations.
 - f) **Dress properly. Do not wear loose clothing or jewellery. Keep your hair, clothing and gloves away from moving parts.** Loose clothes, jewellery or long hair can be caught in moving parts.
 - g) **If devices are provided for the connection of dust extraction and collection facilities, ensure these are connected and properly used.** Use of dust collection can reduce dust-related hazards.
- 4) **Power tool use and care**
- a) **Do not force the power tool. Use the correct power tool for your application.** The correct power tool will do the job better and safer at the rate for which it was designed.
 - b) **Do not use the power tool if the switch does not turn it on and off.** Any power tool that cannot be controlled with the switch is dangerous and must be repaired.
 - c) **Disconnect the plug from the power source and/or the battery pack from the power tool before making any adjustments, changing accessories, or storing power tools.** Such preventive safety measures reduce the risk of starting the power tool accidentally.
 - d) **Store idle power tools out of the reach of children and do not allow persons unfamiliar with the power tool or these instructions to operate the power tool.** Power tools are dangerous in the hands of untrained users.
 - e) **Maintain power tools. Check for misalignment or binding of moving parts, breakage of parts and any other condition that may affect the power tools operation. If damaged, have the power tool repaired before use.** Many accidents are caused by poorly maintained power tools.
 - f) **Keep cutting tools sharp and clean.** Properly maintained cutting tools with sharp cutting edges are less likely to bind and are easier to control.
 - g) **Use the power tool, accessories and tool bits etc., in accordance with these instructions and in the manner intended for the particular type of power tool, taking into account the working conditions and the work to be performed.** Use of the power tool for operations different from those intended could result in a hazardous situation.
- 5) **Battery tool use and care**
- a) **Recharge only with the charger specified by the manufacturer.** A charger that is suitable for one type of battery pack may create a risk of fire when used with another battery pack.
 - b) **Use power tools only with specifically designated battery packs.** Use of any other battery packs may create a risk of injury and fire.
 - c) **When battery pack is not in use, keep it away from other metal objects, like paper clips, coins, keys, nails, screws or other small metal objects, that can make a connection from one terminal to another.** Shorting the battery terminals together may cause burns or a fire.
 - d) **Under abusive conditions, liquid may be ejected from the battery; avoid contact. If contact accidentally occurs, flush with water. If liquid contacts eyes, additionally seek medical help.** Liquid ejected from the battery may cause irritation or burns.
- 6) **Service**
- a) **Have your power tool serviced by a qualified repair person using only identical replacement parts.** This will ensure that the safety of the power tool is maintained.

NAILER SAFETY WARNINGS









1. **Always assume that the tool contains fasteners.** Careless handling of the nailer can result in unexpected firing of fasteners and personal injury.
2. **Do not point the tool towards yourself or anyone nearby.** Unexpected triggering will discharge the fastener causing an injury.
3. **Do not actuate the tool unless the tool is placed firmly against the workpiece.** If the tool is not in contact with the workpiece, the fastener may be deflected away from your target.
4. **Disconnect the tool from the power source when the fastener jams in the tool.** While removing a jammed fastener, the nailer may be accidentally activated if it is plugged in.
5. **Use caution while removing a jammed fastener.** The mechanism may be under compression and the fastener may be forcefully discharged while attempting to free a jammed condition.
6. **Do not use this nailer for fastening electrical cables.** It is not designed for electric cable installation and may damage the insulation of electric cables thereby causing electric shock or fire hazards.

SAFETY WARNINGS FOR BATTERY PACK

- a) **Do not dismantle, open or shred battery pack.**
- b) **Do not expose battery pack to heat or fire. Avoid storage in direct sunlight.**
- c) **Do not short-circuit a battery pack. Do not store battery packs haphazardly in a box or drawer where they may short-circuit each other or be short-circuited by other metal objects. When battery pack is not in use, keep it away from other**



metal objects, like paper clips, coins, keys, nails, screws or other small metal objects, that can make a connection from one terminal to another. Shorting the battery terminals together may cause burns or fire.

- d) Do not subject battery pack to mechanical shock.
- e) In the event of battery leaking, do not allow the liquid to come in contact with the skin or eyes. If contact has been made, wash the affected area with copious amounts of water and seek medical advice.
- f) Do not use any battery pack which is not designed for use with the equipment.
- g) Keep battery pack out of the reach of children.
- h) Always purchase the battery pack recommended by the device manufacturer for the equipment.
- i) Keep battery pack clean and dry.
- j) Wipe the battery pack terminals with a clean dry cloth if they become dirty.
- k) Battery pack needs to be charged before use. Always use the correct charger and refer to the manufacturer's instructions or equipment manual for proper charging instructions.
- l) Do not leave battery pack on prolonged charge when not in use.
- m) After extended periods of storage, it may be necessary to charge and discharge the battery pack several times to obtain maximum performance.
- n) Recharge only with the charger specified by WORX. Do not use any charger other than that specifically provided for use with the equipment.
- o) Retain the original product literature for future reference.
- p) Use only the battery pack in the application for which it was intended.
- q) Remove the battery pack from the equipment when not in use.
- r) Dispose of properly.
- s) Do not mix cells of different manufacture, capacity, size or type within a device.
- t) Keep the battery away from microwaves and high pressure.

	Wear ear protection
	Wear eye protection
	Wear dust mask
	Batteries may enter water cycle if disposed improperly, which can be hazardous for ecosystem. Do not dispose of waste batteries as unsorted municipal waste.
	Do not burn
	Li-Ion battery, battery must be recycled
	Wear protective gloves
	Make sure the battery is removed prior to changing accessories or making any adjustments to the tool.

4

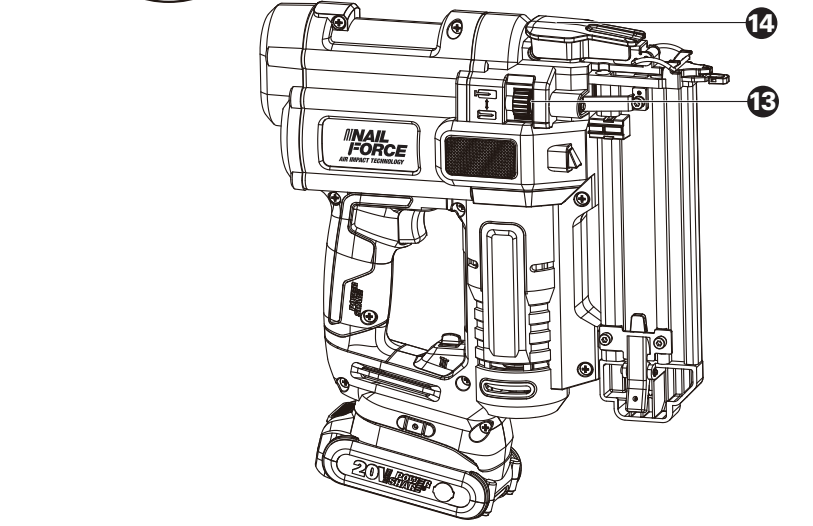
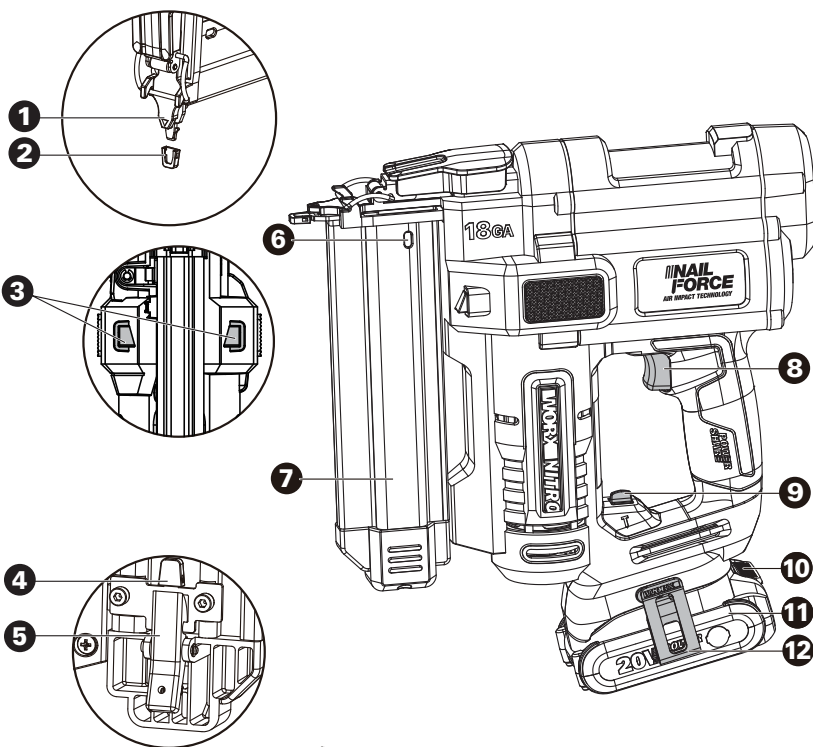
SYMBOLS

	To reduce the risk of injury, user must read instruction manual
	Warning



call2recycle®

POSITEC Inc. has established a partnership with the RBRC Corporation to recycle any Positec batteries with the RBRC-call2recycle seal. For environmental protection, please do not discard batteries in the trash. After the batteries' life cycle is ended, then please call 1-800-822-8837 for a free service that will properly dispose of the battery.



2. COMPONENT LIST

1. WORKPIECE CONTACT
2. NO-MAR PAD
3. LED WORKLIGHTS
4. SPARE NO-MAR PAD
5. MAGAZINE RELEASE BUTTON
6. LOW NAIL INDICATOR WINDOW
7. SIDE-LOADING MAGAZINE
8. ON/OFF TRIGGER
9. MODE SELECTOR SWITCH
10. BATTERY PACK RELEASE BUTTON *
11. BATTERY PACK *
12. BELT HOOK
13. TOOL-FREE DEPTH OF DRIVE ADJUSTMENT
14. TOOL-FREE JAM RELEASE

* Not all the accessories illustrated or described are included in standard delivery.

3. TECHNICAL DATA

	WX842L WX842L.X**
Voltage	20V \approx Max***
Magazine capacity	100 nails
Nailer speed	80 nails/min
Nail type	18 gauge
Nail length (Brad nail)	3/4 inch ~ 2 inch (20 mm - 50 mm)
Machine weight(Bare tool)	6.2 lbs (2.8 kg)

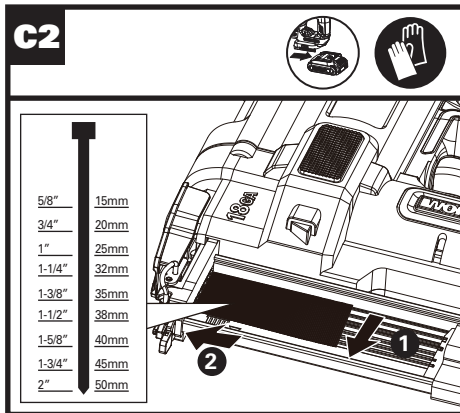
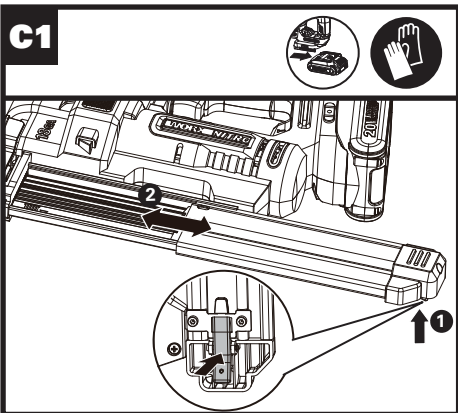
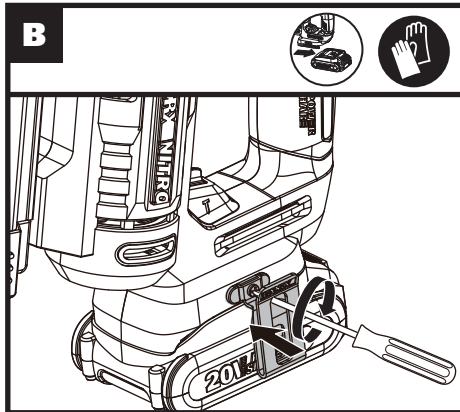
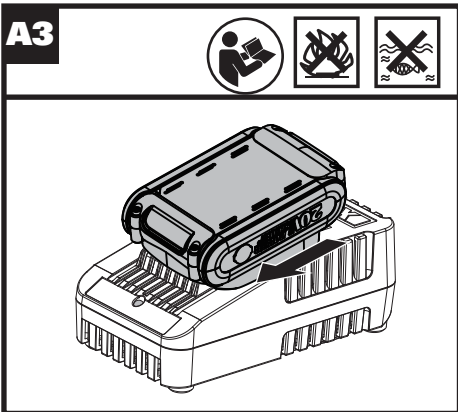
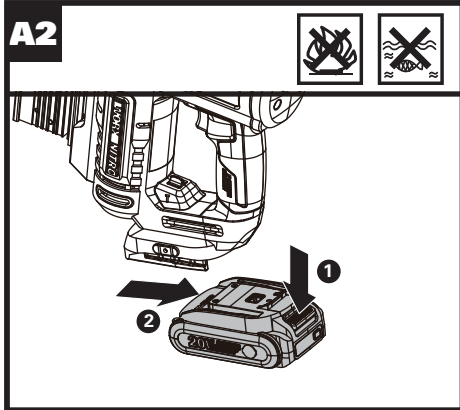
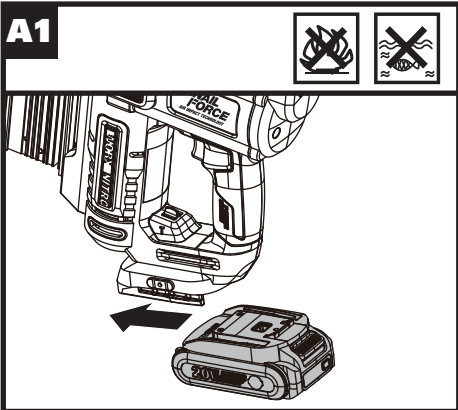
**X may be followed by one or two characters. All models are the same except model number and trademark. The suffix in models may be number from "1" to "999" or English letter "A" to "Z" or "M1" to "M9" which means different package or the various of accessories packed in the package.

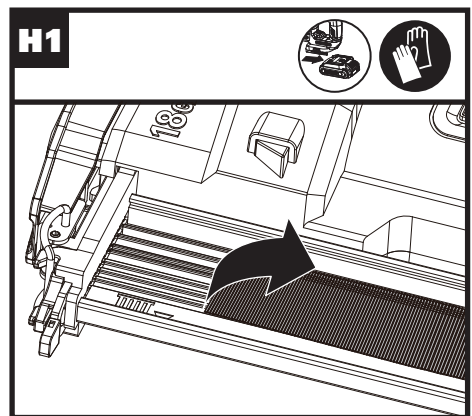
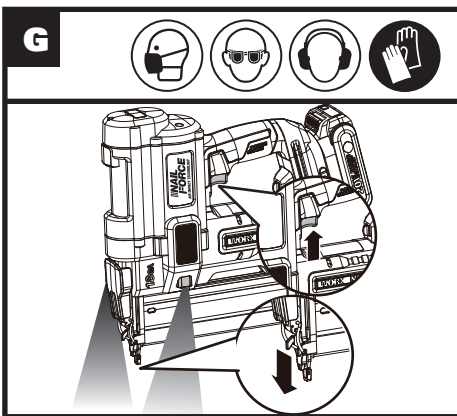
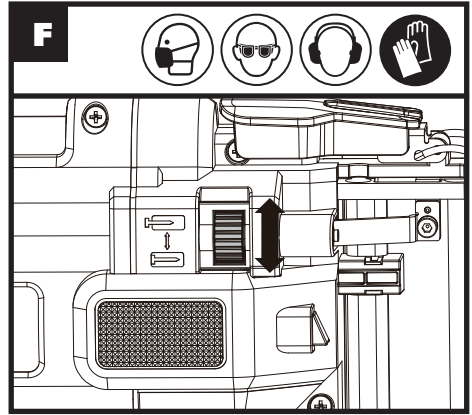
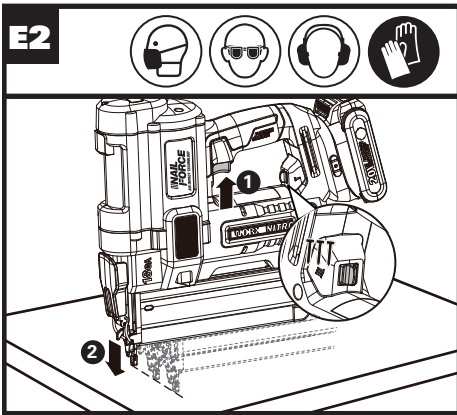
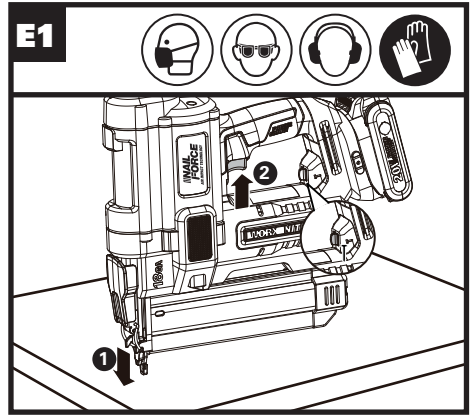
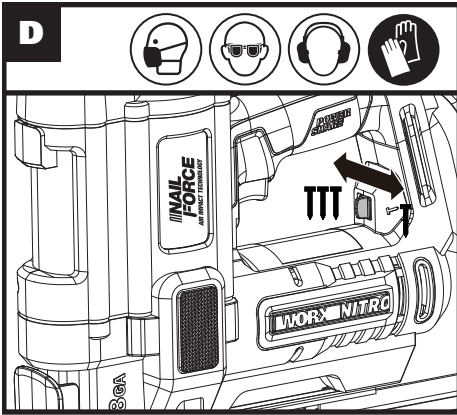
*** Voltage measured without workload. Initial battery voltage reaches maximum of 20 volts. Nominal voltage is 18 volts.

SUGGESTED BATTERIES AND CHARGERS

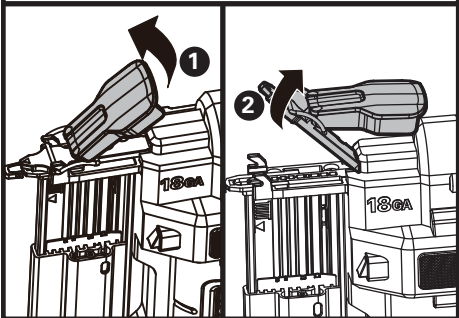
Category	Type	Capacity
20V Battery	WA3669	2.0 Ah
	WA3012	4.0 Ah
	WA3520	1.5 Ah
	WA3525	2.0 Ah
	WA3575	2.0 Ah
	WA3577	2.5 Ah
	WA3578	4.0 Ah
20V Charger	WA3881	2.0 A

We recommend that you purchase your accessories from the same store that sold you the tool. Refer to the accessory packaging for further details. Store personnel can assist you and offer advice.

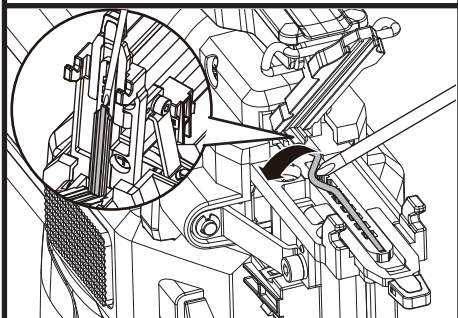




H2



H3



4. INTENDED USE

This tool is intended for finishing and trimming (interior and exterior), such as door & window casing, door jambs, baseboard, crown molding, cabinetry, cap and shoe molding, molding, staircases, door & window trimming, chair rail, brickmolding, hardwood flooring, paneling, furniture, etc..

5. OPERATING INSTRUCTIONS



NOTE: Before using the tool, read the instruction book carefully.



WARNING: Keep the tool pointed away from yourself and others when loading nails. Always remove the nails and battery pack when tool is not in use. Failure to do so could result in possible serious personal injury

ASSEMBLY AND OPERATION

ACTION	FIGURE
BEFORE OPERATION	
Installing/removing the battery pack	See Fig. A1, A2
Charging the battery pack	See Fig. A3
ASSEMBLY	
Installing the belt hook NOTE: The belt hook can be installed on the left or right side of the nail gun.	See Fig. B
Loading the tool with brad nails 1. Remove the battery pack if installed. 2. Squeeze the magazine release button located on the rear of the magazine and slide the magazine cover open 3. Place brad nails in the upper left corner of channel 4. Push the magazine cover closed until it securely snaps into place, you may now reinstall battery pack WARNING: Use safety gloves. Keep the tool pointed away from yourself and others when loading nails. Failure to do so could result in possible serious personal injury.	See Fig. C1, C2

OPERATION

Selecting the nailing mode

Single sequential actuation mode: Provides accurate nail placement **I**

Contact actuation mode: Allows for fast repetitive nail placement **III**



WARNING: The nail gun will not function properly if the selector is not securely seated in either position. Always assure the selector is seated properly to avoid an unexpected nail discharge and possible serious personal injury.

See Fig. D

Using the on/off trigger in two different modes

Single sequential actuation mode:

-Push the workpiece contact against the work surface first and then squeeze the on/off trigger

-Release the on/off trigger and the workpiece contact.

Contact actuation mode:

-Squeeze and hold the trigger. Push the tool against the work surface to depress the workpiece contact and drive a nail.

-Release the workpiece contact once after each nailing action.


-Move the tool and then push the workpiece contact again.

NOTE: The nail gun will operate only when squeezing the on/off trigger and pushing the workpiece contact against the work surface simultaneously

NOTE: If there is no nailing action within 5 seconds after pressing the on/off trigger or pushing the workpiece contact, release the on/off trigger or the workpiece contact once and then operate again.

WARNING: Never wedge or hold back the workpiece contact mechanism during operation of the tool. Doing so could result in possible serious injury.

See Fig. E1, E2

<p>Depth of drive adjustment Turn the depth of drive adjustment knob up or down to change the driving depth. NOTE: Drive a test nail after each adjustment until the desired depth is set.</p>	<p>See Fig. F</p>
<p>LED worklight NOTE: The LED worklights will be activated when pressing the on/off trigger or pushing the workpiece contact. NOTE: The LED Worklights provide feedback to indicate whether the tool is functioning properly.(See troubleshooting)</p>	<p>See Fig. G</p>
<p>Removing a jammed nail Try to operate the tool for two more times to confirm the nail is jammed. NOTE: Before removing a jammed nail, open the magazine(see fig. C1) and remove all the nails.  WARNING: Always remove the battery pack first and wear safety gloves.</p> <ul style="list-style-type: none"> • Keep the magazine open. • Pull up on the tool free jam release and unhook the latch • Make sure the tip of the driving mechanism is in the initial position, if not, insert a flat head screwdriver into the tip of the driving mechanism and push back. • Remove any bent nails • Close the jam release and latch • Reinstall brad nails and reactivate the tool 	<p>See Fig. H1, H2, H3</p>

6. MAINTENANCE

Remove the battery pack from the tool before carrying out any adjustment, servicing or maintenance.

There are no user serviceable parts in your power tool. Never use water or chemical cleaners to clean your power tool. Wipe clean with a dry cloth. Always store your power tool in a dry place. Keep the motor ventilation slots clean. Keep all working controls free of dust. Occasionally you may see sparks through the ventilation slots. This is normal and will not damage your power tool.

7. TROUBLESHOOTING

Symptom	Possible Causes	Possible Solution
Tool does not operate properly:		
LED light flashing 5 times	No nails	Replenish nails
LED light flashing 2 times	Battery is low	Charge the battery pack
LED light flashing 3 times	Tool is hot	Wait until the tool cools down
Tool operates properly, but fasteners do not drive fully	Depth of drive isn't deep enough Nail is too long for wood hardness	Adjust depth of drive Use nail length that is appropriate for wood
Tool operates properly, but fasteners are driven too deep	Depth of drive is too deep	Adjust depth of drive
Frequent empty nailing	Jammed nails or damaged nails	Pull up on the tool free jam release and unhook the latch. Check whether there are jammed nails or damaged nails inside. If so, remove the jammed nails or damaged nails in time.
Tool jams frequently	Incorrect nails Damaged nails Dirty magazine	Verify that nails are the correct size Replace nails Clean magazine

TABLE DES MATIÈRES

1. INSTRUCTIONS DE SÉCURITÉ
2. LISTE DES ÉLÉMENTS
3. DONNÉES TECHNIQUES
4. UTILISATION PRÉVUE
5. INSTRUCTIONS D'UTILISATION
6. ENTRETIEN
7. GUIDE DE DÉPANNAGE

1. INSTRUCTIONS DE SÉCURITÉ SÉCURITÉ DU PRODUIT

⚠ AVERTISSEMENT: Certaines des poussières produites en utilisant des outils électriques sont considérées par l'État de Californie comme susceptibles de provoquer le cancer, des anomalies congénitales et d'autres problèmes de reproduction. Voici des exemples de ces produits chimiques:

- Plomb issu de peinture à base de plomb;
- Silice cristalline issue de briques et du ciment et autres produits de maçonnerie;
- Arsenic et chrome issus de bois traité chimiquement.

Votre risque de ces expositions varie en fonction de la fréquence à laquelle vous effectuez ce travail. Pour réduire votre exposition à ces produits chimiques: travaillez dans une zone bien ventilée; portez un équipement de sécurité approuvé, tel que des masques anti poussières spécialement conçus pour éliminer les particules microscopiques par filtrage.

⚠ AVERTISSEMENT: Ce dispositif peut vous exposer aux produits chimiques notamment le plomb et le di-phtalate (de 2-éthylhexyle) (DEHP) qui sont reconnus dans l'État de Californie comme causant des cancers et des anomalies congénitales ou d'autres anomalies de la reproduction. Pour en savoir plus, veuillez consulter le site www.P65Warnings.ca.gov.

AVERTISSEMENTS GENERAUX CONCERNANT LA SECURITE DES OUTILS ELECTRIQUES

⚠ AVERTISSEMENT! Lisez et assimilez toutes les instructions. Le non-respect des instructions ci-après peut entraîner un risque de choc électrique, d'incendie et/ou de blessures graves.
Conservez tous les avertissements et instructions pour pouvoir les consulter ultérieurement. L'expression « outil électrique » dans tous les avertissements énumérés ci-dessous se réfère à votre outil électrique fonctionnant sur secteur (branché) ou à batterie (sans-fil).

1. AIRE DE TRAVAIL

- a) Veillez à ce que l'aire de travail soit propre et bien éclairée.** Le désordre et le manque de lumière favorisent les accidents.
- b) N'utilisez pas d'outils électriques dans un milieu présentant un risque d'explosion, par exemple en présence de liquides, de gaz ou de poussières inflammables.** Les outils électriques créent des étincelles qui pourraient enflammer les poussières ou les vapeurs.
- c) Gardez à distance les curieux, les enfants et les visiteurs lorsque vous travaillez avec un outil électrique.** Ils pourraient vous distraire et vous faire faire une fausse manoeuvre.

2. SÉCURITÉ ÉLECTRIQUE

- a) Les fiches des outils électriques doivent correspondre aux prises murales. Ne jamais modifier la fiche de quelque façon que ce soit. Ne pas utiliser de fiches d'adaptation avec des outils électriques mis à la terre (mis à la masse).** Des fiches non modifiées et des prises qui leur correspondent réduiront le risque de choc électrique.
- b) Évitez tout contact corporel avec des surfaces mises à la terre (tuyauterie, radiateurs, cuisinières, réfrigérateurs, etc.).** Le risque de choc électrique est plus grand si votre corps est en contact avec la terre.
- c) N'exposez pas les outils électriques à la pluie ou à l'eau.** La présence d'eau dans un outil électrique augmente le risque de choc électrique.
- d) Ne maltraitez pas le cordon. Ne transportez jamais l'outil par son cordon et ne débranchez jamais la fiche en tirant sur le cordon. N'exposez pas le cordon à la chaleur, à des huiles, à des arrêtes vives ou à des pièces en mouvement.** Un cordon endommagé augmente le risque de choc électrique.
- e) Lorsque vous utilisez un outil électrique à l'extérieur, utilisez un prolongateur adapté à une utilisation en extérieur.** L'utilisation d'un cordon adapté à une utilisation extérieure réduit le risque de choc électrique.
- f) Si vous devez utiliser un outil électrique dans un endroit humide, utilisez un dispositif de**

courant résiduel (RCD) d'alimentation protégée.
L'utilisation d'un RCD réduit le risque de choc électrique.

3. SÉCURITÉ DES PERSONNES

- a) **Restez alerte, concentrez-vous sur votre travail et faites preuve de bon sens. N'utilisez pas un outil électrique si vous êtes fatigué ou sous l'influence de drogues, d'alcool ou de médicaments.** Un instant d'inattention lors de l'utilisation d'outils électriques peut entraîner des blessures graves.
- b) **Utilisez des accessoires de sécurité. Portez toujours une protection oculaire.** De l'équipement de sécurité tel que le masque antipoussière, les chaussures de sécurité antidérapantes, des casques durs ou des protections antibruit utilisés dans des conditions appropriées réduiront les blessures corporelles.
- c) **Évitez les démarrages accidentels. Avant d'insérer la batterie dans l'outil, assurez-vous que son interrupteur est en position « OFF » (Arrêt) ou verrouillée.** Le fait de transporter un outil avec le doigt sur la détente/l'interrupteur ou d'insérer la batterie dans un outil dont la détente est en position « ON » (Marche) peut causer un accident.
- d) **Retirer les clés de réglage avant de mettre l'outil sous tension.** Une clé restée attachée à une partie mobile de l'outil pourrait entraîner des blessures corporelles.
- e) **Ne vous penchez pas trop en avant. Maintenez un bon appui et restez en équilibre en tout temps.** Une bonne stabilité vous permet de mieux réagir à une situation inattendue.
- f) **Habillez-vous convenablement. Ne portez ni vêtements flottants ni bijoux. Gardez les cheveux, les vêtements et les gants éloignés des pièces en mouvement.** Les vêtements flottants, les bijoux ou les cheveux longs risquent d'être happés par des pièces en mouvement.
- g) **Si un sac de récupération de la poussière est fourni avec un connecteur pour aspirateur, assurez vous qu'il est correctement relié et utilisé de façon appropriée.** L'utilisation de ce système réduit les dangers physiques et physiologiques liés à la poussière.

4. UTILISATION ET ENTRETIEN DE L'OUTIL

- a) **Ne forcez pas l'outil. Utilisez l'outil approprié à la tâche. L'outil approprié fonctionne mieux et de façon plus sécuritaire.** Respectez aussi la vitesse de travail qui lui est propre.
- b) **N'utilisez pas un outil si l'interrupteur ne le met pas en marche ou ne peut l'arrêter.** Un outil qui ne peut être contrôlé par l'interrupteur est dangereux et doit être réparé.
- c) **Débranchez la batterie de l'outil ou mettez**

son interrupteur en position « OFF » (Arrêt) ou « LOCKED » (Verrouillé) avant d'effectuer un réglage, de changer d'accessoire ou de ranger l'outil. De telles mesures de sécurité préventive réduisent le risque de démarrage accidentel de l'outil.

- d) **Rangez les outils hors de portée des enfants et d'autres personnes inexpérimentées.** Les outils sont dangereux dans les mains d'utilisateurs novices.
- e) **Prenez soin de bien entretenir les outils. Soyez attentif à tout désalignement ou coincement des pièces en mouvement, à tout bris ou à toute autre condition préjudiciable au bon fonctionnement de l'outil. Si vous constatez qu'un outil est endommagé, faites-le réparer avant de vous en servir.** De nombreux accidents sont causés par des outils en mauvais état.
- f) **Les outils de coupe doivent être toujours bien affûtés et propres.** Des outils bien entretenus, dont les arêtes sont bien tranchantes, sont moins susceptibles de se coincer et plus faciles à contrôler.
- g) **Utilisez l'outil électrique, les accessoires et les forêts etc., en conformité avec ces instructions et de la manière conçue pour le type particulier d'outil électrique, prend en compte les conditions de travail et le travail qui doit être accompli.** L'emploi de l'outil électrique pour des opérations différentes de celles pour lesquelles il a été conçu pourrait entraîner une situation dangereuse.

5. UTILISATION DE LA BATTERIE ET ENTRETIEN

- a) **Un outil à batterie avec batteries incorporées ou une batterie séparée doit être rechargé uniquement avec le chargeur indiqué pour la batterie.** Un chargeur qui peut être adéquat pour un type de batterie peut créer un risque d'incendie lorsqu'il est utilisé avec une autre batterie.
- b) **Utiliser un outil à batterie uniquement avec la batterie désignée.** L'emploi de toute autre batterie peut créer un risque d'incendie.
- c) **Lorsque la batterie n'est pas utilisée, tenez-la à l'écart d'autres objets métalliques tels que trombones, pièces de monnaie, clés, clous, vis ou autres petits objets métalliques susceptibles d'établir une connexion d'une borne à une autre.** Le court-circuitage des bornes de batterie peut causer des étincelles, des brûlures, une explosion ou un incendie.
- d) **Dans le cadre de conditions d'abus, du fluide peut être éjecté de la batterie, évitez tout contact. Si un contact se produisait accidentellement, rincez abondamment avec de l'eau. Si le fluide touche les yeux, cherchez en plus de la mesure précédente de l'aide médicale.** Le fluide éjecté de la batterie peut causer des irritations ou des brûlures.

6. ENTRETIEN

- a) **Ayez votre outil électrique entretenu par un réparateur agréé n'utilisant que des pièces de rechange identiques.** Cela assurera que la sécurité de l'outil électrique est maintenue.

AVERTISSEMENTS DE SÉCURITÉ DE LA CLOUEUSE

- 1. Toujours s'assurer que l'outil contient les attaches.** La manipulation imprudente de la cloueuse peut entraîner le renvoi imprévu des attaches et des blessures corporelles.
- 2. Ne pas orienter l'outil vers vous-même ou vers toute personne à proximité.** Un déclenchement imprévu déchargera les attaches entraînant des lésions.
- 3. Ne pas déclencher l'appareil à moins que l'appareil soit placé solidement contre la pièce usinée.** Si l'appareil n'est pas en contact avec la pièce usinée, l'attache peut être déviée à l'écart de votre cible.
- 4. Débrancher l'appareil de la source d'alimentation électrique lorsque la boulonnerie coince dans l'appareil.** Lors du retrait d'une boulonnerie coincée, la cloueuse peut être activée accidentellement si elle est branchée.
- 5. Faire preuve de prudence lors du retrait d'une boulonnerie coincée.** Le mécanisme peut être sous compression et la boulonnerie peut être renvoyée énergiquement en tentant de libérer un état bloqué.
- 6. Ne pas utiliser cette agrafeuse pour la fixation de câbles électriques.** Elle n'est pas conçue pour l'installation de câbles électriques et peut endommager l'isolement de câbles électriques en occasionnant l'électrocution ou les risques d'incendie.

CONSIGNES GÉNÉRALES DE SÉCURITÉ CONCERNANT LA BATTERIE

- a) Ne pas démonter, ouvrir ou déchiqueter le bloc batterie.**
- b) Ne pas exposer le bloc batterie à la chaleur ou au feu. Évitez de ranger la batterie dans un endroit exposé à la lumière directe du soleil.**
- c) Ne pas court-circuiter une batterie. Ne stockez pas les blocs batterie en vrac dans une boîte ou un tiroir où ils peuvent se court-circuiter ou être court-circuités par d'autres objets métalliques. Lorsque le bloc batterie n'est pas utilisé, conservez-le loin d'autres objets métalliques,**

tels que des trombones, des pièces de monnaie, des clés, des clous, des vis ou d'autres objets métalliques de petite taille, qui pourraient établir une connexion d'un terminal à l'autre. Le fait de créer un court-circuit entre les bornes de la batterie peut causer des brûlures ou des incendies.

- d) Ne pas soumettre la batterie à des chocs mécaniques.**
- e) En cas de fuite de la batterie, ne pas laisser le liquide entrer en contact avec la peau ou les yeux. Si un contact a été effectué, laver la zone touchée avec beaucoup d'eau et consulter un médecin.**
- f) Ne pas utiliser de batterie qui n'a pas été conçue pour être utilisée avec cet appareil.**
- g) Maintenez la batterie hors de portée des enfants.**
- h) Achetez toujours une batterie recommandée par le fabricant de l'appareil.**
 - i) Conservez le bloc batterie propre et sec.**
 - j) Essuyez les bornes de la batterie avec un chiffon propre et sec si elles deviennent sales.**
 - k) La batterie doit être chargée avant son utilisation. Utilisez toujours le chargeur adapté et reportez-vous aux instructions du fabricant ou au manuel de l'équipement pour suivre les instructions concernant la procédure de charge.**
- l) Ne laissez pas le bloc batterie en charge prolongée lorsqu'il n'est pas utilisé.**
- m) Après de longues périodes de stockage, il peut être nécessaire de charger et de décharger la batterie plusieurs fois pour obtenir des performances optimales.**
- n) Rechargez le bloc batterie uniquement avec le chargeur spécifié par Worx. N'utilisez pas un chargeur autre que celui spécifiquement conçu pour être utilisé avec l'équipement.**
- o) Conservez la documentation originale du produit pour référence ultérieure.**
- p) Utilisez uniquement la batterie dans l'application pour laquelle elle a été prévue.**
- q) Retirez la batterie de l'équipement lorsqu'il n'est pas utilisé.**
- r) Éliminez la batterie de façon adéquate.**
- s) Ne pas mélanger des cellules de fabricants, de capacités, de tailles ou de type différents dans un appareil.**
- t) N'exposez pas la batterie à des micro-ondes et de la haute pression.**

SYMBOLES



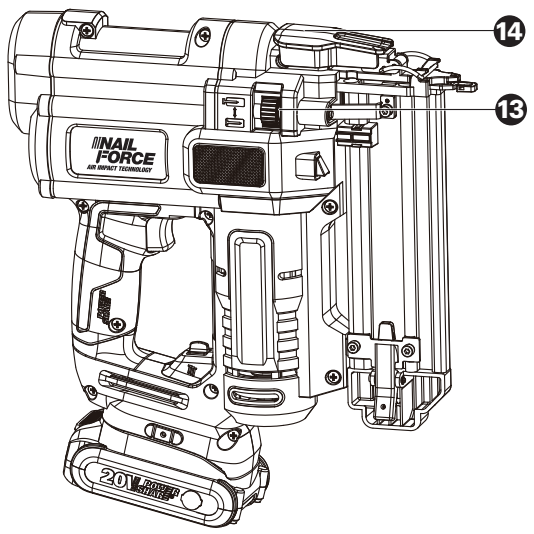
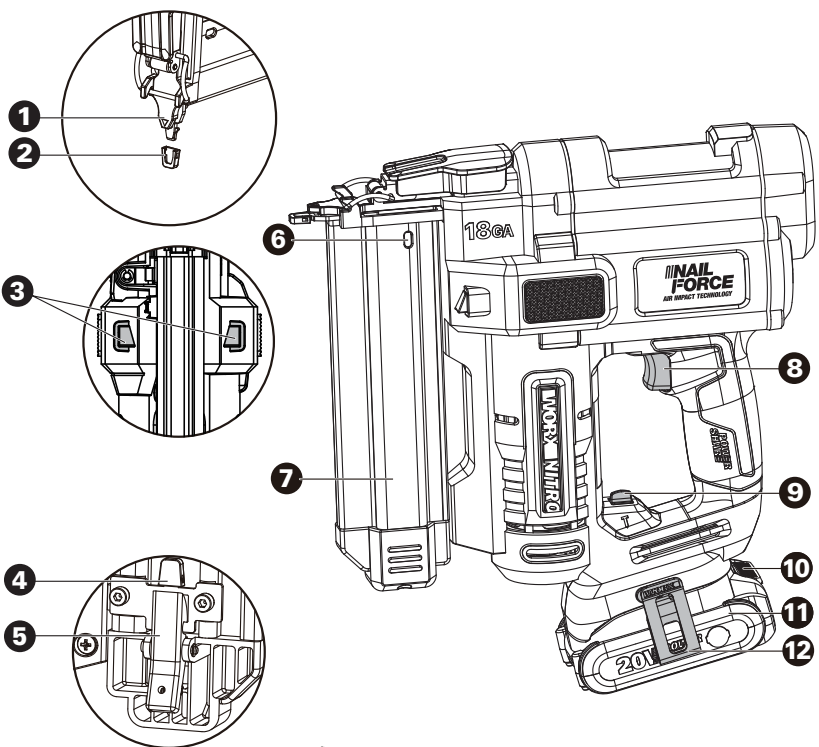
Afin de réduire les risques de blessure, l'utilisateur doit lire ce mode d'emploi

	Avertissement
	Portez une protection auditive
	Portez un protecteur oculaire
	Portez un masque anti poussières
	Les batteries peuvent s'introduire dans le cycle de l'eau si elles sont éliminées de manière inappropriée, ce qui peut être dangereux pour l'écosystème. Ne pas éliminer les batteries usagées avec les déchets municipaux non triés.
	Ne pas jeter au feu
 Li-Ion	Batterie Li-Ion. Les batteries doivent être recyclées en collecte sélective.
	Toujours porter des gants de protection.
	Retirez la prise de la prise murale avant d'effectuer n'importe quel travail de réglage, de réparation ou d'entretien.



call2recycle®

POSITEC Inc. a formé un partenariat avec RBRC Corporation pour le recyclage des batteries Positec portant le sceau RBRC-call2recycle. Pour la protection de l'environnement, veuillez à ne pas jeter les batteries aux poubelles. À la fin du cycle de vie de la batterie, appelez 1-800-822-8837 pour un service gratuit qui mettra la batterie au rebut selon les règles de l'art.



2. LISTE DES ÉLÉMENTS

1. CONTACT DE DÉCLENCHEMENT
2. BOUT DE PROTECTION
3. LAMPES DE TRAVAIL LED
4. TAMPON DE RECHANGE NON MANQUANT
5. BOUTON DE DÉGAGEMENT DU MAGASIN
6. FENÊTRE D'INDICATION DE CLOU BAS
7. CHARGEUR DE CHARGE LATÉRALE
8. GÂCHETTE MARCHÉ/ARRÊT
9. SÉLECTEUR DE MODE
10. CRAN DE DÉGAGEMENT DU BLOC-PILES *
11. BLOC-PILES *
12. CROCHET DE CEINTURE
13. RÉGLAGE DE LA PROFONDEUR D'IMPACT SANS OUTIL
14. DÉBLOCAGE SANS OUTIL

* Les accessoires illustrés ou décrits ne sont pas tous compris dans le cadre de la livraison standard.

3. DONNÉES TECHNIQUES

	WX842L WX842L.X**
Tension	20V --- Max***
Capacité du magasin	100 clous
Vitesse de la cloueuse	80 clous/min
Type de clou	Calibre 18
Longueur du clou (Pointes Brad)	3/4 po ~ 2 po (20 mm - 50 mm)
Poids (Outil nu)	6.2 lbs (2.8 kg)

** X peut être suivi d'un ou deux caractères. Tous les modèles sont identiques, sauf le numéro de modèle et la marque. Le suffixe dans les modèles peut être un nombre allant de « 1 » à « 999 » ou une lettre anglaise « A » à « Z » ou « M1 » à « M9 » qui signifie la différence entre les paquets ou les accessoires emballés dans l'emballage.

***Tension mesurée hors fonctionnement. La tension initiale de la batterie atteint le maximum de 20 volts. La tension nominale est de 18 volts.

BATTERIES ET CHARGEURS RECOMMANDÉS

CATÉGORIE	MODÈLE	CAPACITÉ
-----------	--------	----------

20V batterie	WA3669	2.0 Ah
	WA3012	4.0 Ah
	WA3520	1.5 Ah
	WA3525	2.0 Ah
	WA3575	2.0 Ah
	WA3577	2.5 Ah
	WA3578	4.0 Ah
20V Chargeur	WA3881	2.0 A

Nous vous recommandons d'acheter vos accessoires dans le magasin qui vous a vendu l'outil. Pour de plus amples renseignements, consultez l'emballage de l'accessoire. Le personnel du magasin peut également vous conseiller.

4. UTILISATION PRÉVUE

Cet outil est destiné à la finition et la décoration (intérieur et extérieur), telles que les caissons de porte et de fenêtre, les montants de porte, les plinthes, les moulures de corniche, les armoires, les moulures pour chapeaux et semelles, les moulures, les escaliers, les garnitures de portes et fenêtres, rail de chaise, les moulures de brique, les planchers de bois dur, les lambris, les meubles, etc.

5. INSTRUCTIONS D'UTILISATION



REMARQUE: Avant d'utiliser cet outil, assurez-vous de lire attentivement le manuel d'utilisation.



AVERTISSEMENT : Pointez toujours l'outil loin de vous et des autres lorsque vous chargez des clous. Retirez toujours les clous et le bloc de batteries lorsque l'outil n'est pas utilisé. Le non-respect de cette consigne peut entraîner des blessures graves.

ASSEMBLAGE & FONCTIONNEMENT

ACTION	SCHEMA
AVANT LE FONCTIONNEMENT	
Installation et retrait du bloc de batteries	Voir Fig. A1, A2
Chargement de la batterie	Voir Fig. A3

ASSEMBLAGE

Installation du crochet de ceinture

REMARQUE: Le crochet de ceinture peut être installé du côté gauche ou du côté droit de la cloueuse.

Voir Fig. B

Chargement de l'outil avec des clous Brad

1. Retirez le bloc de batteries s'il est installé.

2. Appuyez sur le bouton de déverrouillage du magasin situé à l'arrière du magasin et faites glisser le couvercle du magasin pour l'ouvrir

3. Placez les clous Brad dans le coin supérieur gauche du rail

4. Poussez le couvercle du magasin pour le fermer jusqu'à ce qu'il s'enclenche solidement, vous pouvez maintenant réinstaller le bloc de batteries



AVERTISSEMENT:

Utilisez des gants de protection. Maintenir l'appareil orienté loin de vous-même et d'autres personnes lors du chargement des clous. Le non respect de cette consigne pourrait entraîner des blessures graves.

Voir Fig. C1, C2

FONCTIONNEMENT

Sélection du mode de clouage

Mode d'activation à séquentiel simple: Permet un placement précis des clous **I**

Mode d'activation de contact: Permet un placement rapide et répétitif des clous **III**



AVERTISSEMENT:

La cloueuse ne fonctionnera pas convenablement si le sélecteur n'est pas solidement fixé dans l'une ou l'autre position. Toujours s'assurer que le sélecteur est fixé convenablement pour éviter une décharge inattendue des clous ainsi que des blessures graves.

Voir Fig. D

Utilisation de la gâchette marche/arrêt en deux modes différents

Mode de fonctionnement séquentiel unique

- Poussez d'abord le contact de la pièce contre la surface de travail, puis appuyez sur la gâchette marche/arrêt :

- Relâchez la gâchette marche/arrêt et le contact de la pièce.

Mode de fonctionnement à contact :

- Appuyez et maintenez la gâchette enfoncée. Poussez l'outil contre la surface de travail pour comprimer le contact de la pièce et enfoncez un clou.

- Relâchez le contact de la pièce après que chaque clou a été enfoncé.

- Déplacez l'outil puis appuyez à nouveau le contact de la pièce.

REMARQUE : La cloueuse ne fonctionnera que lorsque vous appuyez simultanément sur la gâchette marche/arrêt et que vous poussez le contact de la pièce contre la surface de travail

REMARQUE : Si aucun clou n'est enfoncé dans les 5 secondes après avoir appuyé sur la gâchette marche/arrêt ou appliqué le contact de la pièce, relâchez une fois la gâchette marche/arrêt ou le contact de la pièce, puis actionnez à nouveau.

AVERTISSEMENT: Ne jamais coincer ou retenir le mécanisme du contact de la pièce d'œuvre pendant une utilisation de l'appareil. Le fait d'agir ainsi pourrait entraîner des blessures graves.


Voir Fig. E1, E2

Réglage de la profondeur d'impact

Tournez le bouton de réglage de la profondeur d'impact vers le haut ou vers le bas pour modifier la profondeur à laquelle le clou est enfoncé.

REMARQUE: Effectuer un essai des clous après chaque réglage jusqu'à ce que la profondeur souhaitée soit réglée.

Voir Fig. F

<p>Lampes de travail LED REMARQUE : L'éclairage à DEL sera activé en appuyant sur la gâchette marche/arrêt ou en comprimant le contact de la pièce. REMARQUE : L'éclairage à DEL indique si l'outil fonctionne correctement. (Voir dépannage)</p>	<p>Voir Fig. G</p>
<p>Enlever un clou coincé Essayer d'utiliser l'appareil deux autres fois pour confirmer si le clou est coincé. REMARQUE : Avant de retirer un clou coincé, ouvrez le magasin (voir fig. C1) et retirez tous les clous.  AVERTISSEMENT : Retirez toujours le bloc de batteries avant et portez des gants de sécurité.</p> <ul style="list-style-type: none"> • Laissez le magasin ouvert. • Tirez sur le système de déblocage sans outil et décrochez le verrou • Assurez-vous que la pointe du mécanisme d'impact est dans la position initiale, sinon, insérez un tournevis à tête plate dans la pointe du mécanisme et poussez en arrière. • Retirez tous les clous pliés • Fermez le système de déblocage et le verrou • Réinstallez les clous Brad et réactivez l'outil 	<p>Voir Fig. H1, H2, H3</p>

ENTRETIEN

Retirer le bloc-piles de l'outil avant d'effectuer tout ajustement, entretien ou maintenance.

Il ne comporte aucune pièce à réparer ou à entretenir par l'utilisateur. N'utilisez jamais de l'eau ou des nettoyants chimiques pour nettoyer l'outil. Essuyez-le avec un chiffon sec. Rangez toujours votre outil dans un endroit sec. Gardez propres les ouvertures de ventilation du moteur. Assurez-vous que les commandes soient exemptes de poussière. Si vous remarquez des étincelles dans les ouvertures de ventilation, ceci est normal et n'endommagera pas votre outil.

GUIDE DE DÉPANNAGE

Symptôme	Les causes possibles	Solution possible
L'appareil ne fonctionne pas correctement:		
Le voyant DEL clignote 5 fois	Pas de clous	Remettez des clous
Le voyant DEL clignote 2 fois	La batterie est faible	Rechargez le bloc de batteries
Le voyant DEL clignote 3 fois	L'outil est chaud	Attendez que l'outil refroidisse
L'outil fonctionne correctement, mais les pièces de fixation ne s'enfoncent pas complètement	La distance d'enfoncement n'est pas assez grande Le clou est trop long et ne convient pas à la dureté du bois	Régler la profondeur d'enfoncement Utiliser une longueur de clou selon le bois à clouer
L'outil fonctionne correctement, mais les pièces de fixation s'enfoncent trop	La distance d'enfoncement est trop profonde	Régler la profondeur d'enfoncement
Clouage à vide fréquent	Clous coincés ou endommagés	Tirez sur le système de déblocage sans outil et décrochez le verrou. Vérifiez s'il y a des clous coincés ou des clous endommagés à l'intérieur. Si c'est le cas, retirez les clous coincés ou endommagés.
L'outil se bloque fréquemment	Clous de type incorrects Clous endommagés Magasin encrassé	S'assurer que les clous sont de taille correcte. Remplacer les clous Nettoyer le magasin

TABLA DE CONTENIDO

1. INSTRUCCIONES DE SEGURIDAD
2. LISTA DE PARTES
3. DATOS TÉCNICOS
4. USO PREVISTO
5. INSTRUCCIONES DE USO
6. MANTENIMIENTO
7. SOLUCIÓN DE PROBLEMAS

1. INSTRUCCIONES DE SEGURIDAD

SEGURIDAD DEL PRODUCTO

⚠ ADVERTENCIA: El polvo originado por la utilización de herramientas motorizadas contiene químicos que, según el Estado de California, causan cáncer, defectos congénitos y otros daños reproductivos. Algunos ejemplos de esos productos químicos son:

- El plomo de las pinturas a base de plomo;
- La sílice cristalina de los ladrillos, del cemento y de otros productos de albañilería;
- El arsénico y el cromo de la madera tratada químicamente.

El riesgo que se corre a causa del contacto con esos productos varía según la frecuencia con que usted realice este tipo de trabajos. Con el fin de reducir su exposición a esas sustancias químicas: trabaje en un área bien ventilada; utilice un equipo de seguridad adecuado, tal como una máscara contra el polvo especialmente diseñada para filtrar partículas microscópicas.

⚠ ADVERTENCIA: Este producto puede exponerlo a sustancias químicas, como plomo y di (2-etilhexilo) ftalato (DEHP), que el estado de California reconoce como causantes de cáncer y defectos de nacimiento u otros daños reproductivos. Para más información visite www.P65Warnings.ca.gov.

ADVERTENCIAS DE SEGURIDAD GENERALES PARA LA HERRAMIENTA MOTORIZADA

⚠ ¡ADVERTENCIA! Lea y comprenda todas las instrucciones. El no seguir todas las instrucciones a continuación puede ocasionar descargas eléctricas, incendios y/o heridas graves.

Conservar todas las advertencias e instrucciones para consulta futura.

El término "herramienta eléctrica" que figura en todas las advertencias que aparecen a continuación hace referencia a la herramienta que funciona con la red de suministro eléctrico (con cable) o a la herramienta eléctrica accionada a baterías (sin cable).

1. ÁREA DE TRABAJO

- a) Mantenga su lugar de trabajo limpio y bien iluminado.** Bancos de trabajo desordenados y lugares oscuros invitan a los accidentes.
- b) No utilice herramientas eléctricas en atmósferas explosivas, como por ejemplo en presencia de líquidos, inflamables, gases o polvo.** Las herramientas eléctricas crean chispas que pueden encender el polvo o los vapores.
- c) Mantenga a los espectadores, niños y visitantes a una distancia prudente cuando esté utilizando una herramienta eléctrica.** Las distracciones pueden hacerle perder el control.

2. SEGURIDAD ELÉCTRICA

- a) Los enchufes de las herramientas eléctricas deben coincidir con el tomacorriente. No modifique de algún modo el enchufe. No utilice enchufes adaptadores con herramientas eléctricas conectadas a tierra.** Si no se modifican los enchufes y se utilizan los tomacorrientes adecuados, se reducirá el riesgo de una descarga eléctrica.
- b) Evite el contacto del cuerpo con las superficies conectadas a tierra tales como tuberías, radiadores, estufas de cocina y refrigeradores.** Existe mayor riesgo de que se produzcan descargas eléctricas si su cuerpo está conectado a tierra.
- c) No ponga las herramientas eléctricas a la lluvia ni a los ambientes húmedos.** La entrada de agua en una herramienta eléctrica aumenta el riesgo de que se produzcan descargas eléctricas.
- d) No abuse del cable. Nunca use el cable para transportar las herramientas ni para sacar el enchufe de un tomacorriente. Mantenga el cable alejado del calor, el aceite, los bordes afilados o las piezas móviles.** Los cables dañados aumentan el riesgo de que se produzcan descargas eléctricas.
- e) Cuando opere una herramienta eléctrica en exteriores, use un cable de extensión adecuado para uso en exteriores.** El uso de un cable adecuado para uso en exteriores reduce el

riesgo de descargas eléctricas.

- f) **Si operar una herramienta eléctrica en un lugar húmedo es inevitable, use un elemento protegido del dispositivo de corriente residual (RCD).** El uso de un RCD reduce el riesgo de descargas eléctricas.

3. SEGURIDAD PERSONAL

- a) **Manténgase alerta, fíjese en lo que está haciendo y use el sentido común cuando utilice una herramienta eléctrica. No use la herramienta cuando esté cansado o se encuentre bajo la influencia de drogas, alcohol o medicamentos.** Un momento de distracción al utilizar herramientas eléctricas puede dar lugar a lesiones personales graves.

- b) **Utilice equipo de seguridad. Use siempre protección ocular.** La utilización del equipo de seguridad como mascarara antipolvo, zapatos de seguridad antideslizantes, casco o protección auditiva para condiciones adecuadas reducirá el riesgo de lesiones personales.

- c) **Evite el arranque accidental. Asegúrese de que el interruptor esté en la posición de trabado o de apagado antes de instalar el paquete de baterías.** Transportar herramientas con el dedo en el interruptor o instalar el paquete de batería cuando el interruptor está encendido invitan a los accidentes.

- d) **Retire las llaves o claves de ajuste antes de encender la herramienta.** Una llave o clave de ajuste dejada en una parte giratoria de la herramienta puede causar una lesión personal.

- e) **No intente alcanzar demasiado lejos. Mantenga un apoyo de los pies y un equilibrio adecuados en todo momento.** El apoyo de los pies y el equilibrio adecuados permiten un mejor control de la herramienta en situaciones inesperadas.

- f) **Vístase apropiadamente. No se ponga ropa holgada ni joyas. Mantenga su cabello, ropa y guantes alejados de las piezas móviles.** La ropa holgada, las joyas o el pelo largo pueden quedar atrapados en las piezas móviles.

- g) **Si se proporcionan dispositivos para la extracción y recolección de polvo, asegúrese que estos estén conectados y utilizados correctamente.** El uso de estos dispositivos puede reducir peligros relacionados con el polvo.

4. USO Y CUIDADO DE LA HERRAMIENTA

- a) **No fuerce la herramienta. Emplee la herramienta correcta para la aplicación que desea.** La herramienta correcta hará el trabajo mejor y con más seguridad a la capacidad nominal para la que está diseñada.

- b) **No utilice la herramienta si el interruptor no la enciende o apaga.** Toda herramienta que no se

pueda controlar con el interruptor es peligrosa y debe ser reparada.

- c) **Desconecte la batería de la herramienta o ponga el interruptor en la posición de trabado o de apagado antes de hacer cualquier ajuste, cambio de accesorios o guardar la herramienta.**

Estas medidas de seguridad preventivas reducen el riesgo de encender la herramienta accidentalmente.

- d) **Guarde las herramientas que no esté usando fuera del alcance de los niños y otras personas no capacitadas.** Las herramientas son peligrosas en las manos de los usuarios no capacitados.

- e) **Mantenga las herramientas con cuidado. Compruebe la desalineación o el atasco de las piezas móviles, la ruptura de piezas y cualquier otra situación que pueda afectar el funcionamiento de las herramientas. Si la herramienta está dañada, hágala arreglar antes de usarla.** Muchos accidentes son causados por herramientas mantenidas deficientemente.

- f) **Conserve las herramientas de corte afiladas y limpias.** Las herramientas mantenidas adecuadamente, con bordes de corte afilados, tienen menos probabilidades de atascarse y son más fáciles de controlar.

- g) **Utilice la herramienta eléctrica, accesorios, brocas de la herramienta, etc. de acuerdo con estas instrucciones y de la manera adecuada para el tipo de herramienta eléctrica, teniendo en cuenta las condiciones de trabajo y el trabajo que se realizará.** La utilización de la herramienta eléctrica para operaciones diferentes de aquellas para las que se encuentra diseñada podría dar lugar a una situación peligrosa.

5. UTILIZACIÓN Y CUIDADO DE LA HERRAMIENTA ACCIONADA A BATERÍAS

- a) **Una herramienta accionada a baterías que tenga baterías integradas o un paquete de baterías separado se debe recargar solamente con el cargador especificado para la batería.** Un cargador que puede ser adecuado para un tipo de batería puede crear un peligro de incendio cuando se usa con otra batería.

- b) **Utilice la herramienta accionada a baterías solamente con el paquete de baterías designado específicamente.** El uso de cualquier otra batería puede crear un peligro de incendio.

- c) **Cuando el paquete de baterías no se usa, manténgalo alejado de otros objetos metálicos como: sujetapapeles, monedas, clavos, tornillos u otros pequeños objetos de metal capaces de hacer una conexión entre los terminales.** El cortocircuito de los terminales de una batería puede causar chispas, quemaduras

o incendio.

- d) **Bajo condiciones abusivas, la batería puede expulsar líquido; evite el contacto. Si ocurre un contacto accidental, enjuagar con agua. Si el líquido entra en contacto con los ojos, busque ayuda médica.** El líquido expulsado por la batería puede causar irritación o quemaduras.

6. REPARACIÓN

- a) **La herramienta debe ser reparada por una persona calificada de servicio técnico y se deben utilizar partes de reemplazo idénticas.**

Esto asegurará el mantenimiento de la seguridad de la herramienta eléctrica.

ADVERTENCIAS DE SEGURIDAD DE PISTOLA DE CLAVOS

1. **Siempre asuma que la herramienta contiene sujetadores.** El manejo descuidado de la pistola de clavos puede resultar en el disparo inesperado de los sujetadores y lesiones personales.
2. **No apunte la herramienta hacia usted o a nadie cerca.** El disparo inesperado descargará el sujetador causando una lesión.
3. **No active la herramienta a menos que se haya colocado firmemente contra la pieza de trabajo.** Si la herramienta no está en contacto con la pieza de trabajo, el sujetador se puede desviar lejos de su objetivo.
4. **Desconecte la herramienta de la fuente de energía cuando el sujetador se atasque en la herramienta.** Mientras retira un sujetador atascado, la pistola de clavos se puede activar accidentalmente si está conectada.
5. **Tenga precaución mientras retira un sujetador atascado.** El mecanismo puede estar bajo compresión y el sujetador puede descargarse con fuerza mientras intenta liberar una condición de atascamiento.
6. **No use esta engrapadora para asegurar cables eléctricos.** No está diseñada para instalación de cables eléctricos y puede dañar el aislamiento de cables eléctricos causando con ello riesgos de descarga eléctrica o incendios.











ADVERTENCIAS DE SEGURIDAD GENERAL PARA EL PAQUETE DE BATERÍA

- a) **No desensamble, abra o triture el paquete de**

batería.

- b) **No exponga el paquete de batería a calor o fuego. Evite guardar a la luz directa del sol.**
- c) **No ponga en corto circuito el paquete de batería. No guarde el paquete de batería de forma aleatoria en una caja o cajón donde puedan ponerse en corto circuito entre sí o ponerse en corto circuito por otros objetos metálicos. Cuando el paquete de batería no esté en uso, manténgalo alejado de otros objetos metálicos, como sujetadores de papel, monedas, llaves, clavos, tornillos u otros objetos metálicos pequeños que puedan establecer una conexión de una terminal a otra. El corto circuito de las terminales de la batería puede causar quemaduras o incendios.**
- d) **No someta el paquete de batería a impacto mecánico.**
- e) **En el caso de fuga de la batería, no permita que el líquido entre en contacto con la piel o los ojos. Si hay contacto, lave el área afectada con bastante agua y busque atención médica.**
- f) **No use ningún paquete de batería que no esté diseñado para uso con el equipo.**
- g) **Mantenga el paquete de batería fuera del alcance de los niños.**
- h) **Siempre adquiera el paquete de batería recomendado por el fabricante del dispositivo para el equipo.**
- i) **Mantenga el paquete de batería limpio y seco.**
- j) **Limpie las terminales del paquete de batería con una tela seca limpia su se ensucian.**
- k) **El paquete de batería se necesita cargar antes del uso. Siempre use el cargador correcto y consulte las instrucciones del fabricante o el manual del equipo para saber las instrucciones correctas de carga.**
- l) **No deje el paquete de batería en carga prolongada cuando no esté en uso.**
- m) **Después de periodos prolongados de almacenamiento, puede ser necesario cargar y descargar el paquete de batería varias veces para obtener el desempeño máximo.**
- n) **Recargue únicamente con el cargador especificado por Worx. No use cargadores que no sean los específicamente suministrados para uso con el equipo.**
- o) **Conserve la literatura el producto original para referencia futura.**
- p) **Sólo use el paquete de batería en la aplicación para la que está diseñado.**
- q) **Retire el paquete de batería del equipo cuando no esté en uso.**
- r) **Deséchelo adecuadamente.**
- s) **No mezcle celdas de diferente fabricación, capacidad, tamaño o tipo dentro del dispositivo.**
- t) **Mantenga la batería lejos de microondas y no la someta a altas presiones.**

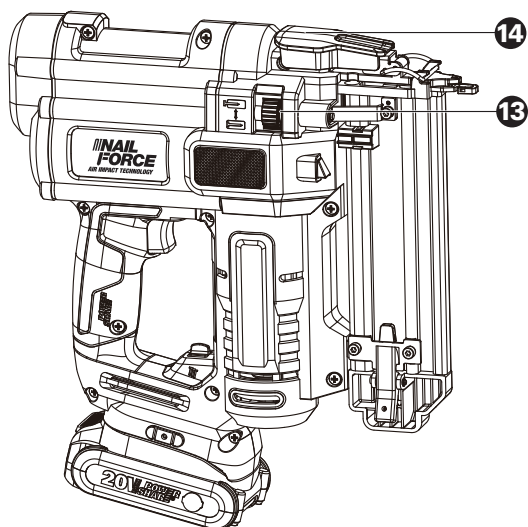
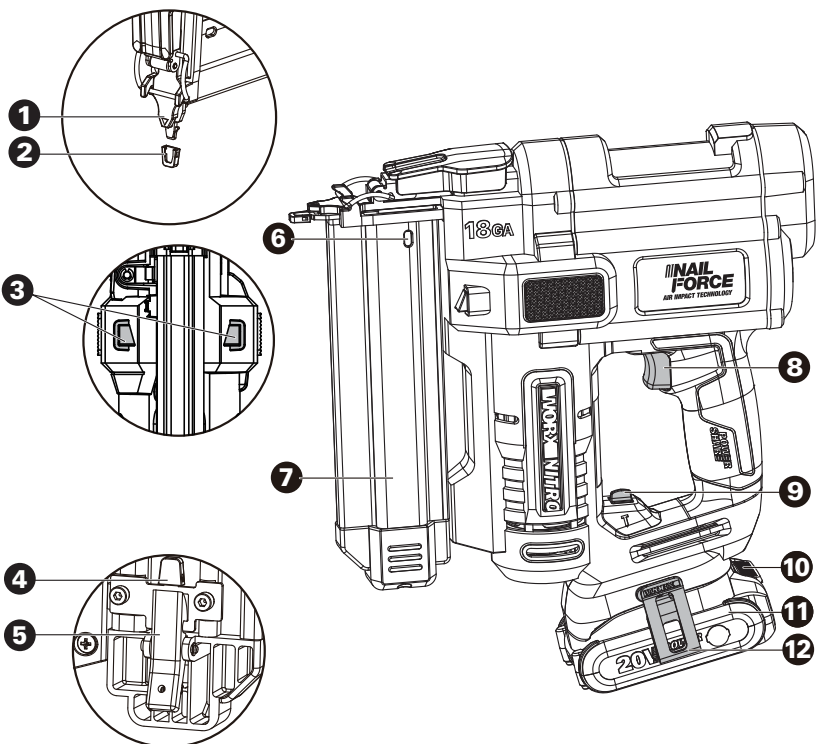
SÍMBOLOS

	Para reducir el riesgo de lesiones, el usuario deberá leer el manual de instrucciones
	Advertencia
	Use protección auditiva
	Use lentes de seguridad
	Use máscara contra el polvo
	Las baterías pueden entrar al ciclo de agua si se desechan incorrectamente, lo que puede ser peligroso para el ecosistema. No deseche las baterías de desperdicio como desperdicio municipal sin clasificar.
	No arrojar al fuego
	Batería de iones de litio, La batería deberá reciclarse
	Use siempre unos guantes de protección
	Extraiga el enchufe de la toma eléctrica antes de llevar a cabo cualquier reparación o ajuste.



call2recycle®

POSITEC Inc. ha establecido una asociación con la empresa RBRC para el reciclaje de todas las baterías Positec que posean el sello RBRC-call2recycle. Para contribuir con la protección del medio ambiente, no deseche las baterías como residuos normales. Después de que haya finalizado el ciclo de vida útil de la batería, comuníquese al 1-800-822-8837 para acceder al servicio gratuito



2. LISTA DE PARTES

1.	DISPARADOR DE CONTACTO
2.	ALMOHADILLA PROTECTORA
3.	LUCES DE TRABAJO DE LED
4.	ALMOHADILLA ANTI-DAÑOS DE REPUESTO
5.	BOTÓN PARA SOLTAR DEL CARGADOR
6.	VENTANA INDICADORA DE CLAVOS INSUFICIENTES
7.	CARTUCHO DE CARGA LATERAL
8.	GATILLO DE ENCENDIDO/APAGADO
9.	INTERRUPTOR SELECTOR DE MODO
10.	LENGÜETAS DE LIBERACIÓN DE LAS BATERÍAS *
11.	PAQUETE DE BATERÍAS *
12.	GANCHO PARA EL CINTO
13.	AJUSTE RÁPIDO DE PROFUNDIDAD DE IMPULSO
14.	LIBERACIÓN DE ATASCOS SIN HERRAMIENTAS

* No todos los accesorios ilustrados o descritos se incluyen junto con el producto estándar.

3. DATOS TÉCNICOS

	WX842L WX842L.X**
Voltios	20V --- Máx***
Capacidad del cargador.	100 clavos
Velocidad de pistola de clavos	80 clavos/min
Tipo de clavo	calibre 18
Longitud de clavo (Clavo de tachuela)	3/4 pulg. ~ 2 pulg. (20 mm - 50 mm)
Peso (Herramienta descubierta)	6.2 lbs (2.8 kg)

** X puede ser seguido por uno o dos caracteres. Todos los modelos son iguales, excepto el número de modelo y la marca registrada. El sufijo en los modelos puede ser un número del "1" al "999" o la letra inglesa "A" a "Z" o "M1" a "M9" que significa un paquete diferente o el Varios accesorios embalados en el paquete.

*** Voltaje medido sin carga de trabajo. El voltaje inicial de la batería alcanza un máximo de 20V. El voltaje nominal es 18V.

BATERÍAS Y CARGADORES SUGERIDOS

Categoría	Modelo	Capacidad
20V Batería	WA3669	2.0 Ah
	WA3012	4.0 Ah
	WA3520	1.5 Ah
	WA3525	2.0 Ah
	WA3575	2.0 Ah
	WA3577	2.5 Ah
20V Cargador	WA3578	4.0 Ah
	WA3881	2.0 A

Le recomendamos que compre sus accesorios en la misma tienda que le vendió la herramienta. Consulte el empaque de los accesorios para obtener más detalles. El personal de la tienda también puede ayudarle y aconsejarle.

4. USO PREVISTO

Esta herramienta está destinada a trabajos de acabado y molduras (interiores y exteriores), como marcos de puertas y ventanas, jambas de puertas, rodapiés, moldura tipo corona, ebanistería, molduras de tapas y zapatos, molduras, escaleras, adorno de puertas y ventanas, barandillas, vestiduras de puertas, suelos de madera dura, paneles, muebles, etc.

5. INSTRUCCIONES DE USO



NOTA: Antes de usar la herramienta, lea atentamente el manual de instrucciones.



ADVERTENCIA: No apunte con la herramienta hacia usted o hacia otros cuando cargue los clavos. Retire siempre los clavos y el paquete de baterías cuando la herramienta no esté en uso. De lo contrario, podrían producirse lesiones personales graves.


ENSAMBLE & FUNCIONAMIENTO

ACCIÓN	FIGURA
ANTES DE LA OPERACIÓN	

Pistola de clavos calibre 18 de 20 V sin cable

ES

Instalar/retirar el paquete de baterías	Vea la Fig. A1, A2	<p>Uso del gatillo de encendido/apagado en dos modos diferentes</p> <p>Modo de accionamiento secuencial simple:</p> <ul style="list-style-type: none"> - Primero empuje el contacto de la pieza de trabajo contra la superficie de trabajo y después apriete el gatillo de encendido/apagado - Libere el gatillo de encendido/apagado y el contacto de la pieza de trabajo. <p>Modo de accionamiento por contacto:</p> <ul style="list-style-type: none"> - Apriete y mantenga el gatillo. Empuje la herramienta contra la superficie de trabajo para oprimir el contacto de la pieza de trabajo y clavar un clavo. - Libere el contacto de la pieza de trabajo cada vez después de la acción de clavar. - Traslade la herramienta y después vuelva a empujar el contacto de la pieza de trabajo. <p>NOTA: La pistola de clavos funcionará solamente cuando se apriete el gatillo de encendido/apagado y se empuje el contacto de la pieza de trabajo simultáneamente.</p> <p>NOTA: Si no clava dentro de 5 segundos tras presionar el gatillo de encendido/apagado o empujar el contacto de la pieza de trabajo, libérelos y acciónelos nuevamente.</p> <p>ADVERTENCIA: Nunca coloque una calza o sostenga hacia atrás el mecanismo de contacto de la pieza de trabajo durante la operación de la herramienta. Hacerlo podría resultar en posibles lesiones serias.</p>	
Cargando la Batería	Vea la Fig. A3		
ENSAMBLE		<p>Uso del gatillo de encendido/apagado en dos modos diferentes</p> <p>Modo de accionamiento secuencial simple:</p> <ul style="list-style-type: none"> - Primero empuje el contacto de la pieza de trabajo contra la superficie de trabajo y después apriete el gatillo de encendido/apagado - Libere el gatillo de encendido/apagado y el contacto de la pieza de trabajo. <p>Modo de accionamiento por contacto:</p> <ul style="list-style-type: none"> - Apriete y mantenga el gatillo. Empuje la herramienta contra la superficie de trabajo para oprimir el contacto de la pieza de trabajo y clavar un clavo. - Libere el contacto de la pieza de trabajo cada vez después de la acción de clavar. - Traslade la herramienta y después vuelva a empujar el contacto de la pieza de trabajo. <p>NOTA: La pistola de clavos funcionará solamente cuando se apriete el gatillo de encendido/apagado y se empuje el contacto de la pieza de trabajo simultáneamente.</p> <p>NOTA: Si no clava dentro de 5 segundos tras presionar el gatillo de encendido/apagado o empujar el contacto de la pieza de trabajo, libérelos y acciónelos nuevamente.</p> <p>ADVERTENCIA: Nunca coloque una calza o sostenga hacia atrás el mecanismo de contacto de la pieza de trabajo durante la operación de la herramienta. Hacerlo podría resultar en posibles lesiones serias.</p>	<p>Vea la Fig. E1, E2</p>
<p>Instalación de gancho de cinturón</p> <p>NOTA: El gancho de cinturón se puede instalar en el lado izquierdo o derecho de la pistola de clavos.</p>	Vea la Fig. B		
<p>Cargar la herramienta con clavos de latón</p> <ol style="list-style-type: none"> 1. Retire el paquete de baterías si está instalado. 2. Apriete el botón de liberación del cargador ubicado en su parte posterior y deslice la tapa del cargador para abrirla 3. Coloque los clavos de latón en la esquina superior izquierda del canal 4. Para cerrarla, empuje la tapa del cargador hasta que chasquee asegurada en su lugar, ahora puede reinstalar el paquete de baterías <p>ADVERTENCIA: Use guantes de protección. Mantenga la herramienta apuntada al lado opuesto de usted y otras personas cuando cargue clavos. La falla en hacerlo podría resultar en posibles lesiones personales serias.</p>	Vea la Fig. C1, C2		
FUNCIONAMIENTO		<p>Ajuste de la profundidad de impulso</p> <p>Gire hacia arriba o hacia abajo el botón de ajuste de la profundidad de impulso para cambiarla.</p> <p>NOTA: Inserte un clavo de prueba después de cada ajuste hasta que se ajuste la profundidad deseada.</p>	<p>Vea la Fig. F</p>
<p>Selección de modo de clavado</p> <p>Modo de activación secuencial sencilla: Proporciona la colocación precisa de los clavos</p> <p>T Modo de activación de contacto: Facilita la rápida colocación repetitiva de los clavos III</p> <p>ADVERTENCIA: La pistola de clavos no funcionará adecuadamente si el selector no está asentado firmemente en cualquier posición. Siempre asegúrese que el selector está asentado adecuadamente para evitar una descarga inesperada del clavo y posibles lesiones personales serias.</p>	Vea la Fig. D		

<p>Luces de trabajo de LED</p> <p>NOTA: Las luces LED de trabajo se activarán cuando presione el gatillo de encendido/apagado o empuje el contacto de la pieza de trabajo.</p> <p>NOTA: Las luces LED de trabajo brindan información que indica si la herramienta está funcionando correctamente. (Vea la solución de problemas)</p>	<p>Vea la Fig. G</p>
<p>Retiro de clavo atascado</p> <p>Intente operar la herramienta dos veces más para confirmar que el clavo está atorado.</p> <p>NOTA: Antes de retirar un clavo atascado, abra el cargador (vea la fig. C1) y retire todos los clavos.</p> <p> ADVERTENCIA: Retire siempre primero el paquete de baterías y use guantes de protección.</p> <ul style="list-style-type: none"> • Mantenga abierto el cargador. • Tire hacia arriba de la liberación de atascos sin herramientas y desenganche el seguro <p>30 • Asegúrese de que la punta del mecanismo de impulso está en la posición inicial, sin no está, inserte un destornillador de paleta en la punta del mecanismo de impulso y empuje hacia atrás.</p> <ul style="list-style-type: none"> • Retire cualquier clavo doblado • Cierre la liberación de atasco y el seguro • Reinstale las puntillas y reactive la herramienta 	<p>Vea la Fig. H1, H2, H3</p>

MANTENIMIENTO

Retire el Paquete de la batería de la herramienta antes de realizar cualquier ajuste, servicio o mantenimiento.

No posee piezas en su interior que puedan ser reparadas por el usuario. Nunca emplee agua o productos químicos para limpiar su herramienta. Use simplemente un paño seco. Guarde siempre su herramienta en un lugar seco. Mantenga limpias las ranuras de ventilación del motor. Mantenga todos los controles de operación libres de polvo. La observación de chispas que destellan bajo las ranuras de ventilación, indica operación normal que no dañará su herramienta.

SOLUCIÓN DE PROBLEMAS

Problema	Causa posible	Solución posible
La herramienta no opera adecuadamente:		
La luz LED parpadea 5 veces	No hay clavos	Recargue con clavos
La luz LED parpadea 2 veces	La batería está descargada	Cargue el paquete de baterías
La luz LED parpadea 3 veces	La herramienta está caliente	Espere hasta que la herramienta se enfríe
La herramienta funciona correctamente pero los sujetadores no se aplican bien	La profundidad de penetración no es suficiente El clavo es demasiado largo para la dureza de la madera	Ajuste la profundidad de penetración Utilice clavos que tengan una longitud apropiada para la madera
La herramienta funciona correctamente pero los sujetadores penetran demasiado en la superficie de trabajo	La profundidad de penetración es excesiva	Ajuste la profundidad de penetración
Clavado frecuente en vacío	Clavos trabados o dañados	Tire hacia arriba de la liberación de atascos sin herramientas y desenganche el seguro. Compruebe si hay clavos trabados o dañados dentro. Si los hay, retírelos oportunamente.
La herramienta sufre atoramientos con frecuencia	Sujetadores inadecuados Sujetadores dañados Cargador sucio	Verifique que sean del tamaño correcto los sujetadores Cambie los sujetadores Limpie el cargador

WORX NITRO

www.worx.com

Copyright © 2023, Positec. All Rights Reserved.

Copyright © 2023, Positec. Tous droits réservés.

© Derechos reservados 2023, Positec. Todos los derechos reservados.

AR01695402