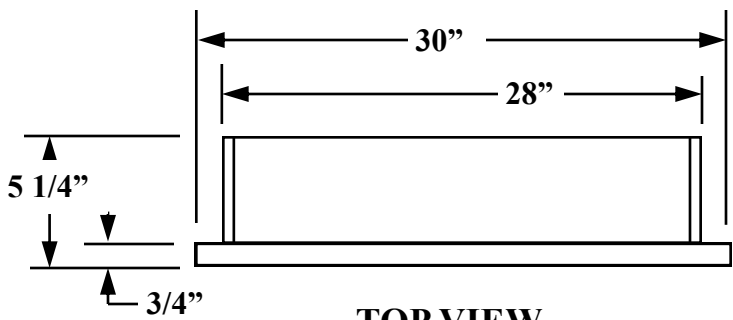


Pace

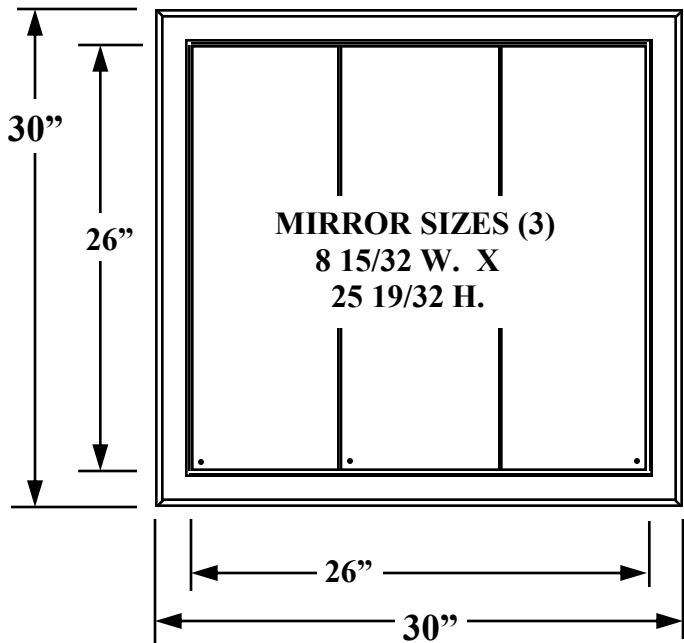
**30" W. X 30" H. X 5 1/4" D. VALENCIA SERIES
TRI-VIEW MEDICINE CABINET
SKU #6772122**



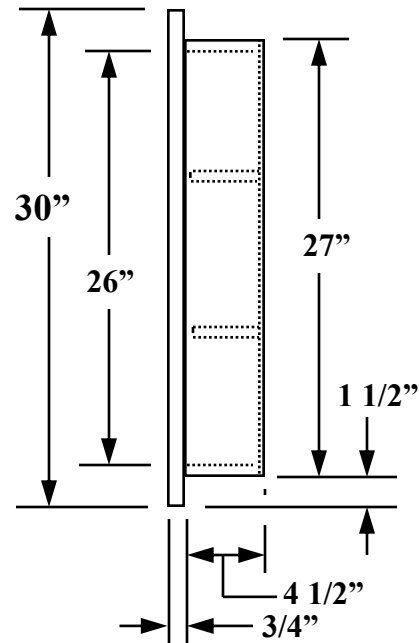
TOP VIEW

REPLACEMENT PARTS

**CENTER DOOR: # MDA-VTV-3030
L. H. DOOR: #MDA-VTV-3030-LH
R.H. DOOR: #MDA-VTV-3030-RH
SHELF: # PA9946
SHELF CLIP: # PA7703**



FRONT VIEW



SIDE VIEW