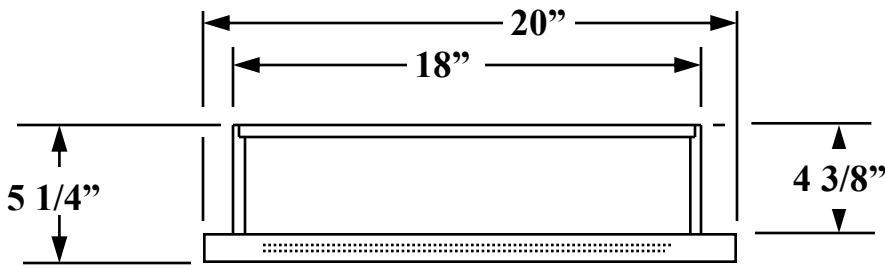


Pace

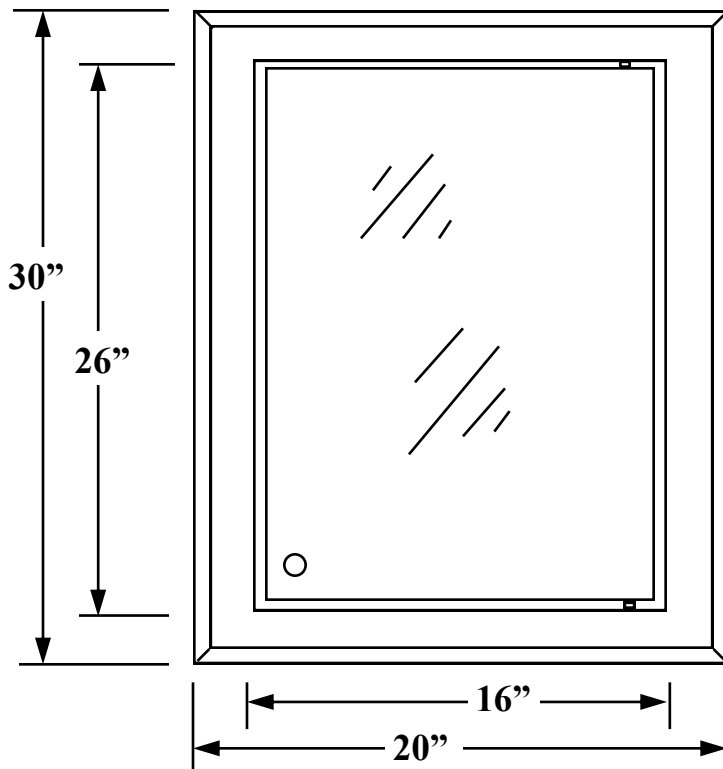
**20" W. X 30" H. X 5 1/4" D. VALENCIA SERIES
SWING DOOR MEDICINE CABINET
SKU #6772121**



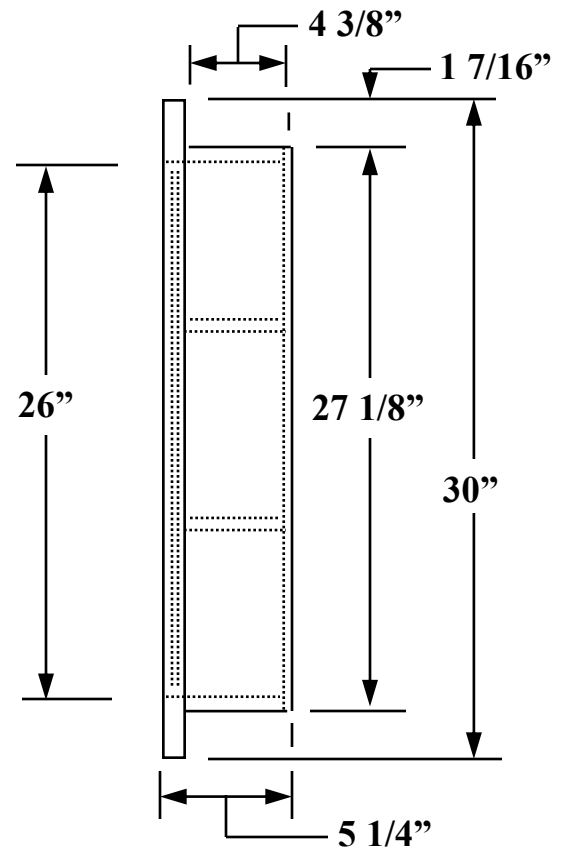
TOP VIEW

REPLACEMENT PARTS

**DOOR: # MDA-VAL-2030
SHELF: # PA9947
SHELF CLIP: # PA7703
DOOR UPPER PIVOT: #PA1321
DOOR LOWER PIVOT: #PA1322**



FRONT VIEW



SIDE VIEW