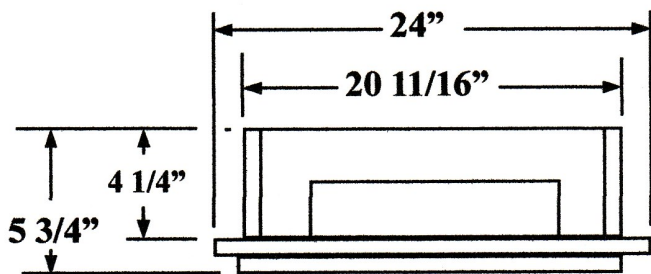


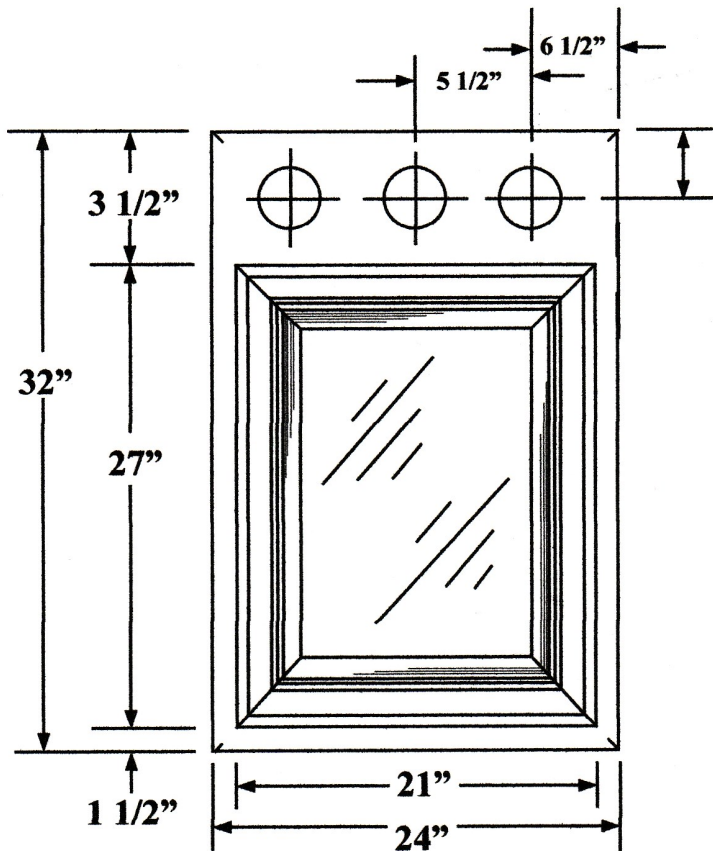
Pace

24" W. X 32" H. X 5" D. PLANTATION SERIES
LIGHTED SWING DOOR MEDICINE CABINET

SKU #6772680



TOP VIEW



FRONT VIEW

REPLACEMENT PARTS

DOOR: # MDA-PTLC

HINGE: # PAK637

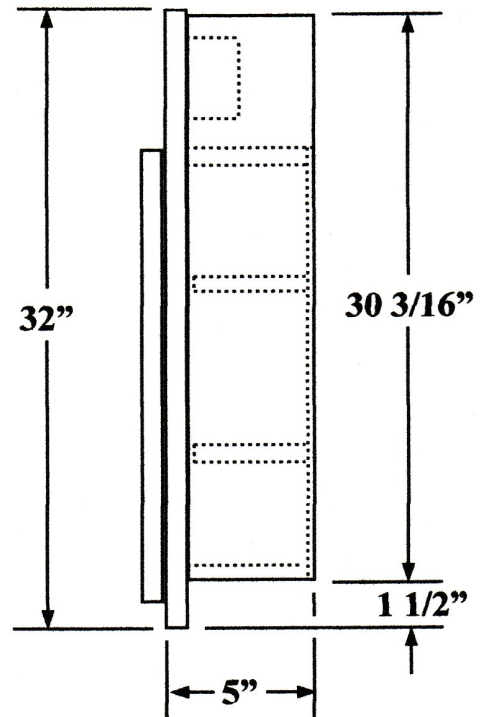
SHELF: # PA7903

SHELF CLIP: # PA7703

SOCKET SET: # PA2598-3

CHROME SOCKET RING: # PA2599

NOTE: USE 60 WATT G-25 BULB
MAX. SURFACE MOUNT
ONLY



SIDE VIEW