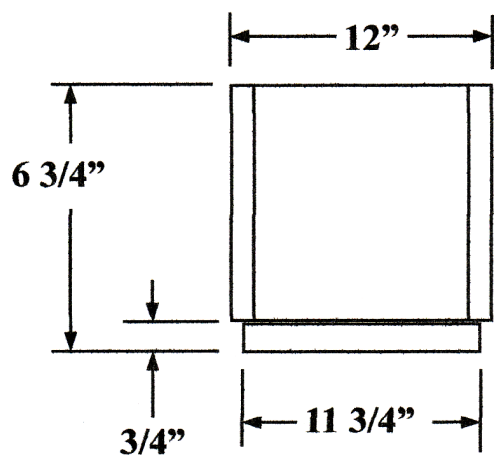


# Pace

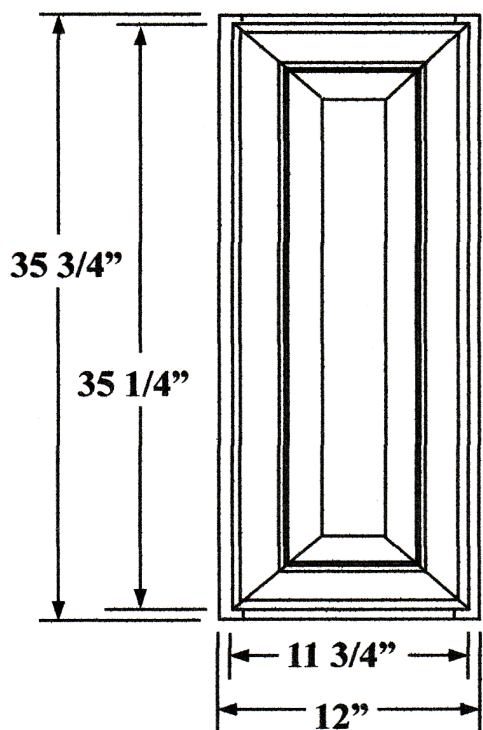
**12" W. X 35 3/4" H. X 6 3/4" D. PLANTATION SERIES  
STORAGE CABINET  
SKU #6052100**



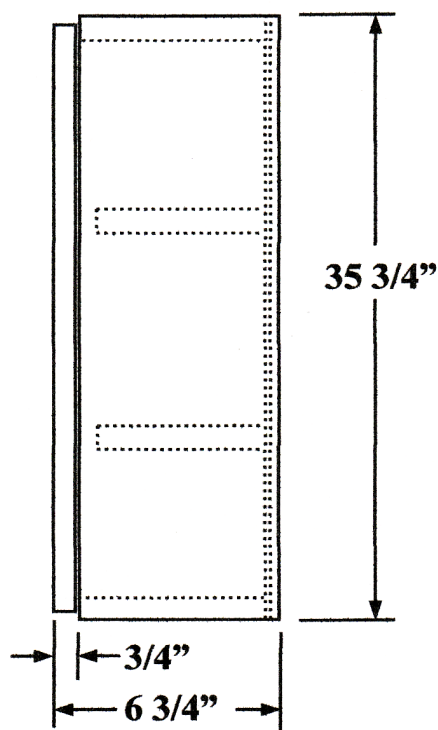
**TOP VIEW**

## REPLACEMENT PARTS

**DOOR: #DOR8918  
HINGE: #PAK637  
SHELF: #PA8237  
SHELF CLIP: #PA7703**



**FRONT VIEW**



**SIDE VIEW**