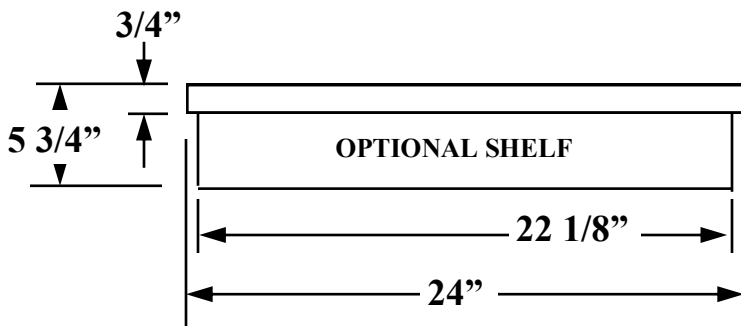


# Pace

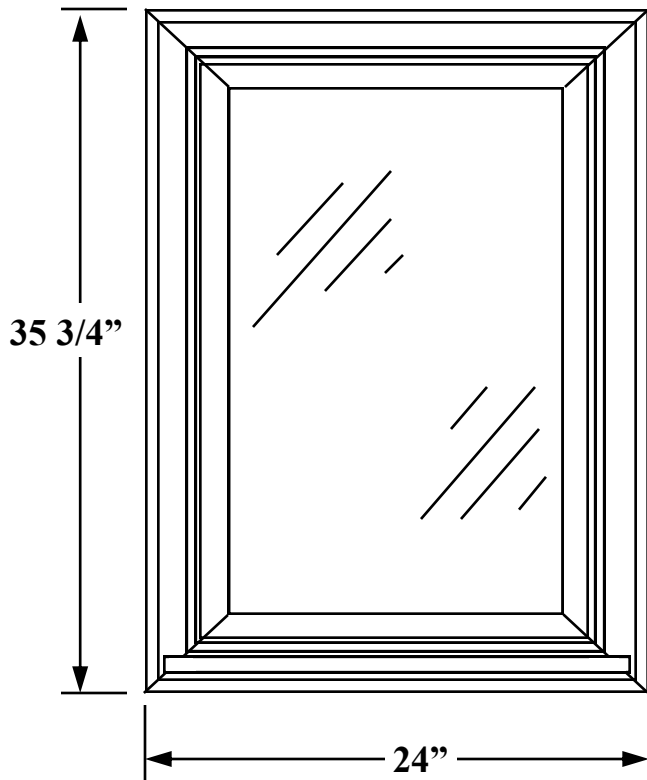
**24" W. X 35 3/4" H. X 3/4" D. PLANTATION SERIES  
WALL HUNG MIRROR WITH OPTIONAL SHELF  
SKU #6772660**



**TOP VIEW**

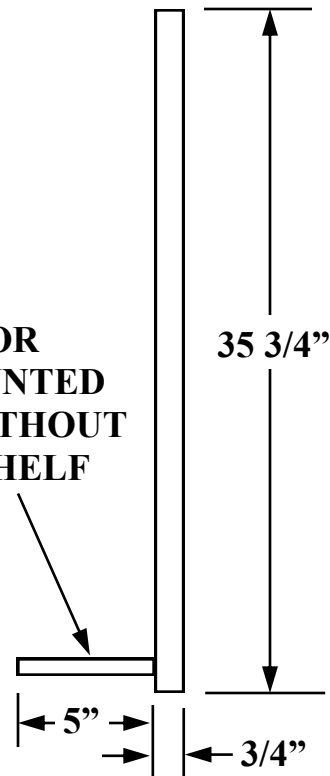
## REPLACEMENT PARTS

**MIRROR: PA8199  
FRAME: PAK5211  
HANGER BRACKET: PA8356  
GLASS RETAINER: PAK2570**



**FRONT VIEW**

**NOTE: MIRROR  
CAN BE MOUNTED  
WITH OR WITHOUT  
OPTIONAL SHELF**



**SIDE VIEW**