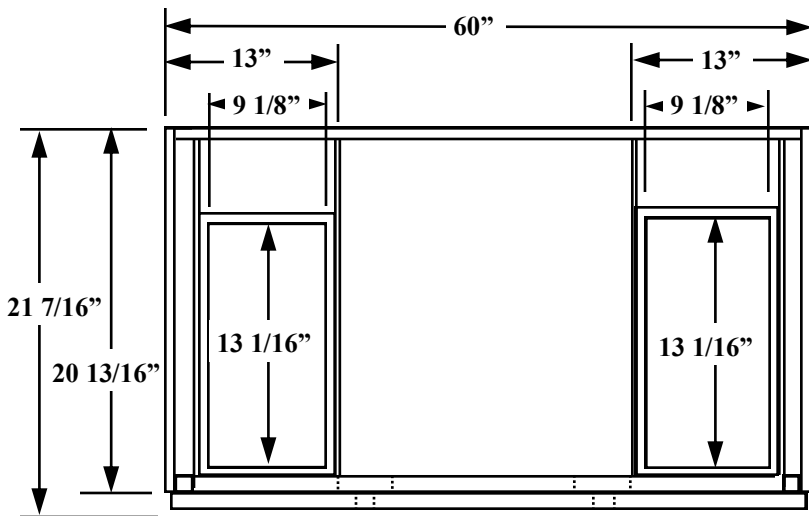


Pace

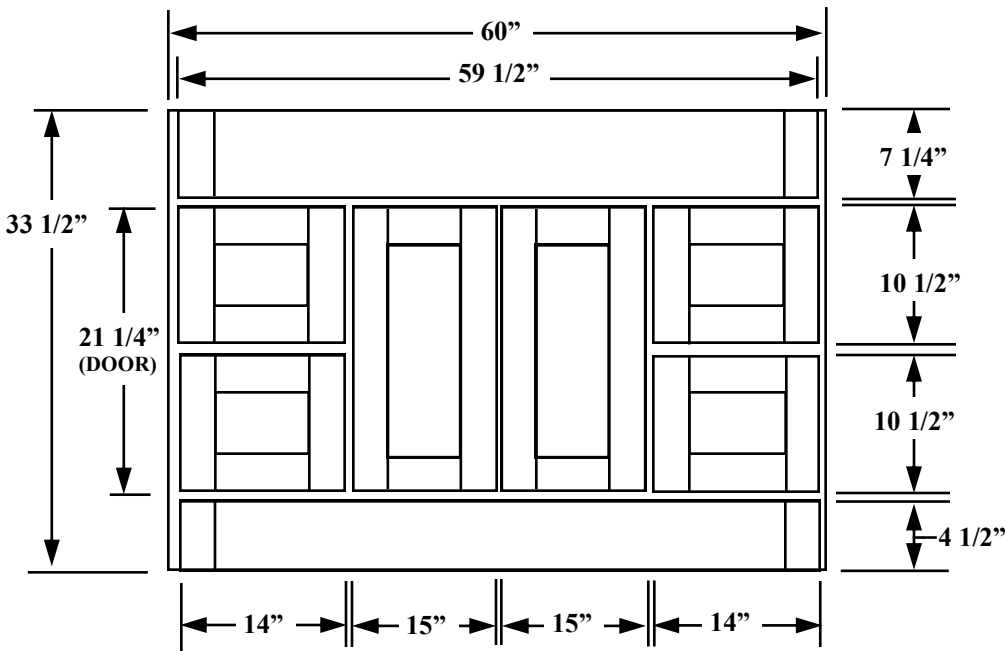
**60" W. X 33 1/2" H. X 21" D. MURANO VANITY
SPECIAL ORDER**



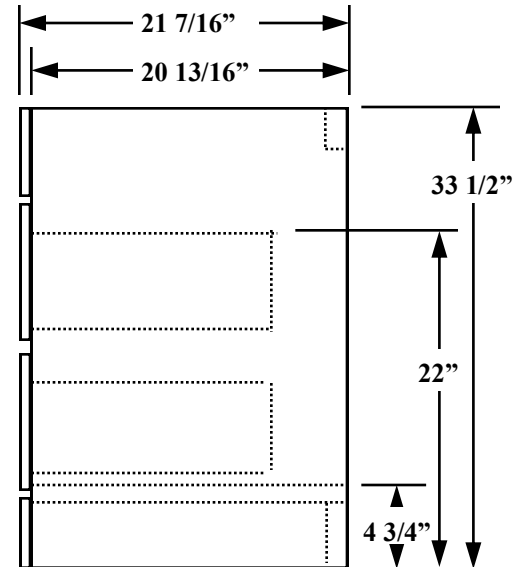
TOP VIEW

REPLACEMENT PARTS

- DOOR: # DOR10393**
- DRAWER: # CDA-MUR-21**
- APRON: # PA10400**
- KICKBOARD: # PA10405**
- SOFT CLOSE MECHANISM: # PA10582**
- HINGE: # PAK805**
- DRAWER TRACK SET: # PA8607**



FRONT VIEW



SIDE VIEW