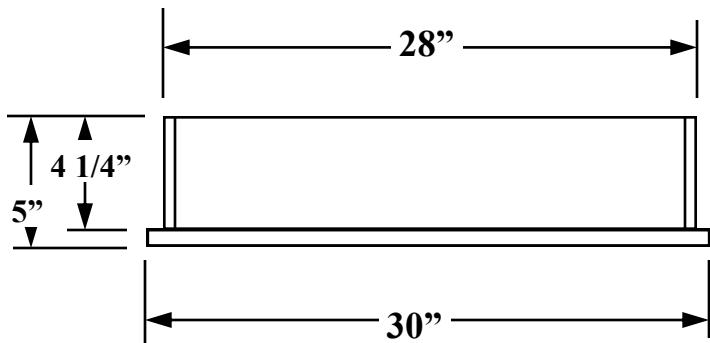


Pace

**30" W. X 35" H. X 5" D. MURANO SERIES
TRI-VIEW MEDICINE CABINET
SKU #6772674**

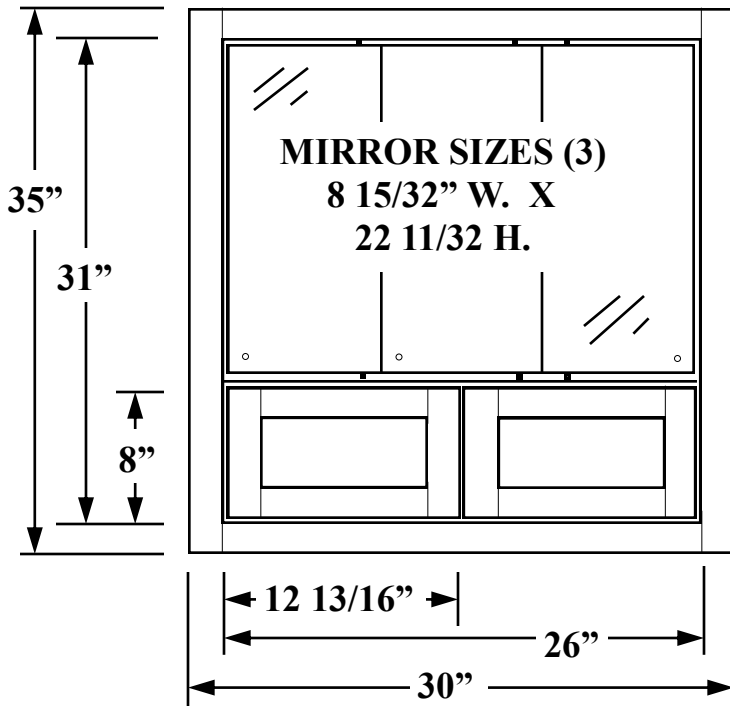


TOP VIEW

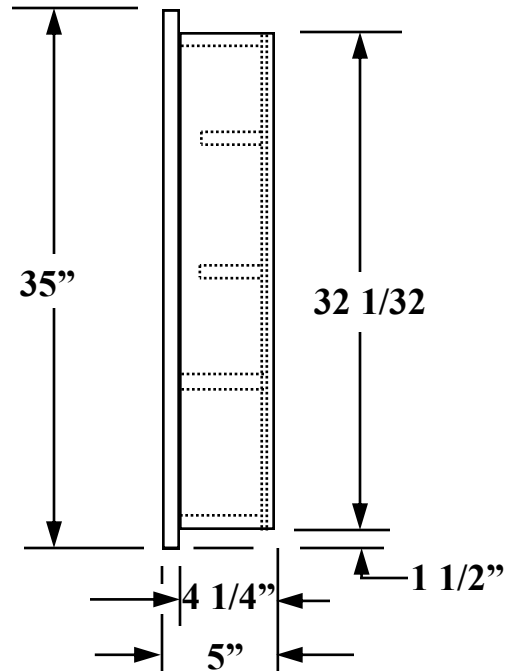
REPLACEMENT PARTS

L.H. DOOR: # MDA-MTV-3036-LH
R.H. DOOR: # MDA-MTV-3036-RH
CTR. DOOR: # MDA-MTV-3036-CTR
BOTTOM DOOR: # DOR10728
UPPER PIVOT: # PA1321
LOWER PIVOT: # PA1322
SHELF: # PA10785
SHELF CLIP: # PA7703

**NOTE: CABINET CAN BE RECESS
OR SURFACE MOUNTED**



FRONT VIEW



SIDE VIEW