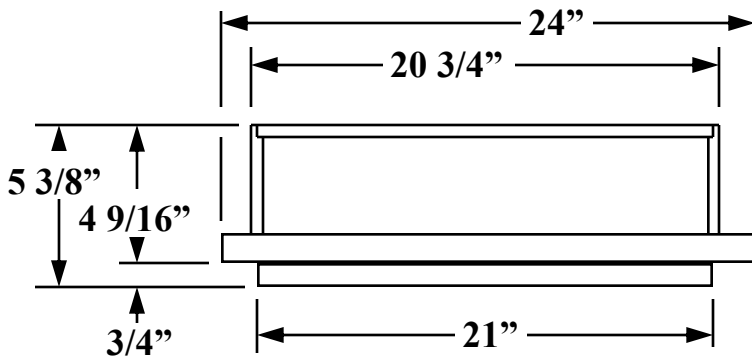


# Pace

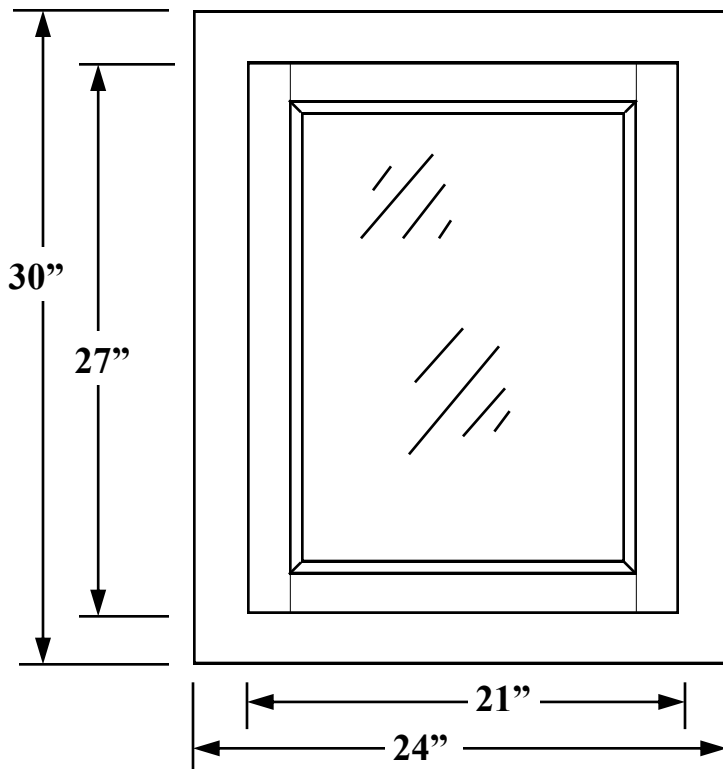
**24" W. X 30" H. X 5" D. MURANO SERIES  
SWING DOOR MEDICINE CABINET  
SKU #6772678**



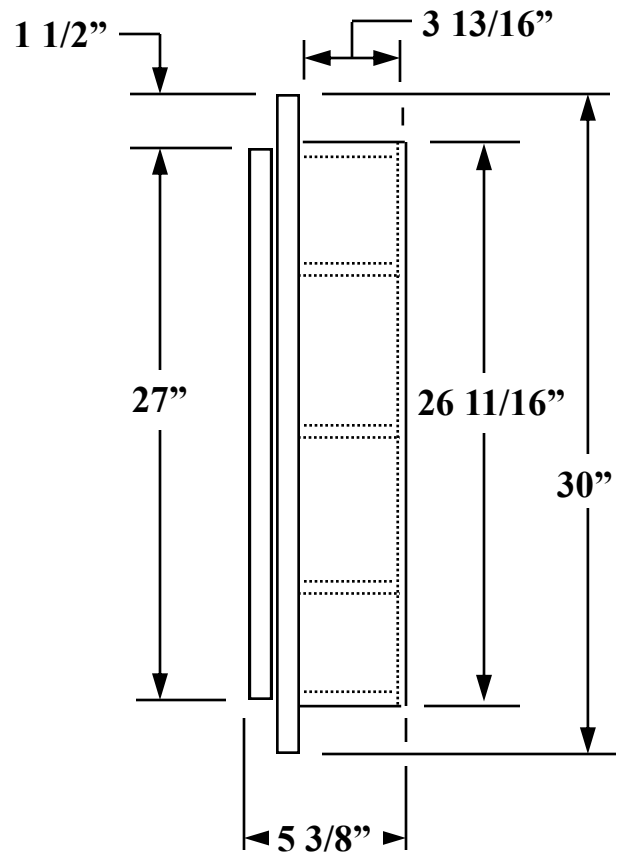
**TOP VIEW**

## REPLACEMENT PARTS

**DOOR: # MDA-MSD-2430  
HINGE: # PAK637  
SHELF: # PA10654  
SHELF CLIP: # PA2535**



**FRONT VIEW**



**SIDE VIEW**