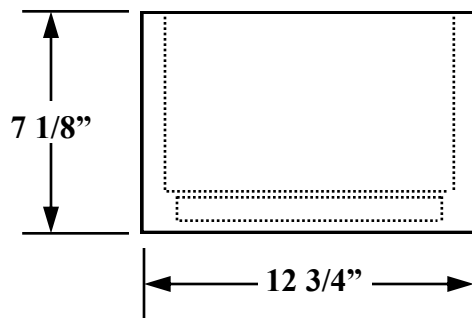


# Pace

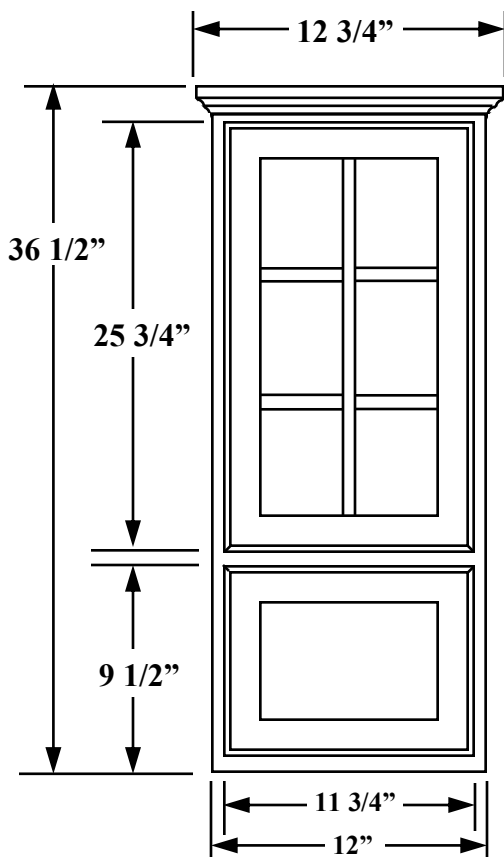
**12 3/4" W. X 36 1/2" H. X 7 1/8" D. PLEASANT HILL SERIES  
MULLION DOOR STORAGE CABINET  
SPECIAL ORDER**



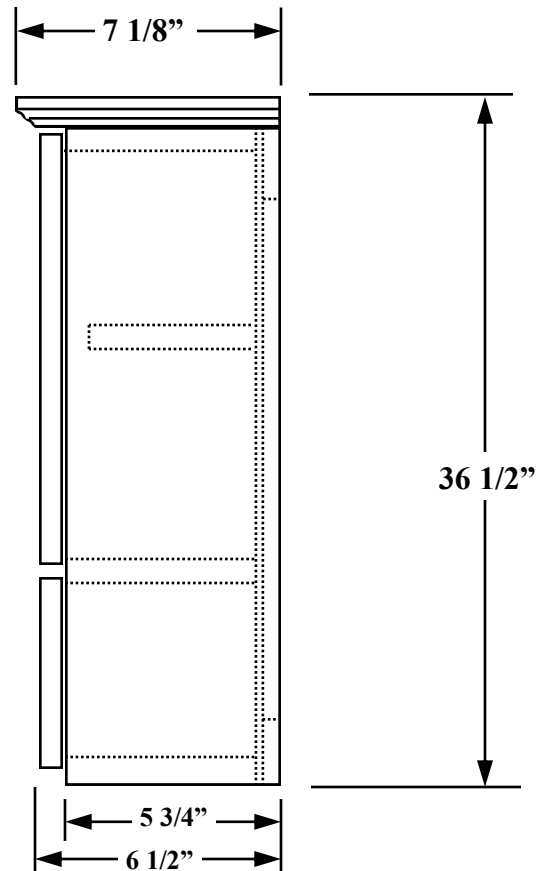
**TOP VIEW**

**REPLACEMENT PARTS**

MULLION DOOR: # PAK2540  
GLASS INSERT FOR DOOR: # PA8320  
BOTTOM DOOR: # PAK2552  
HINGE: # PAK637  
SHELF: # PA8237  
SHELF CLIP: # PA7703



**FRONT VIEW**



**SIDE VIEW**