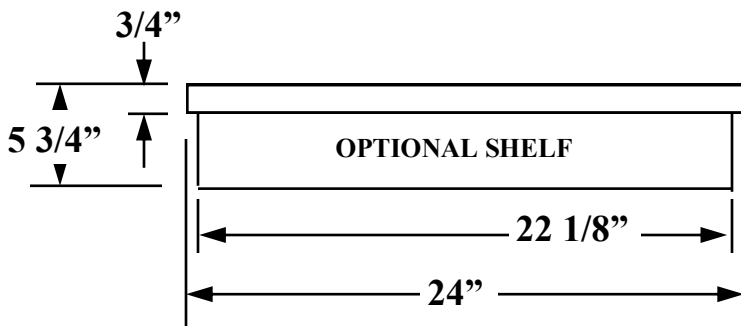


Pace

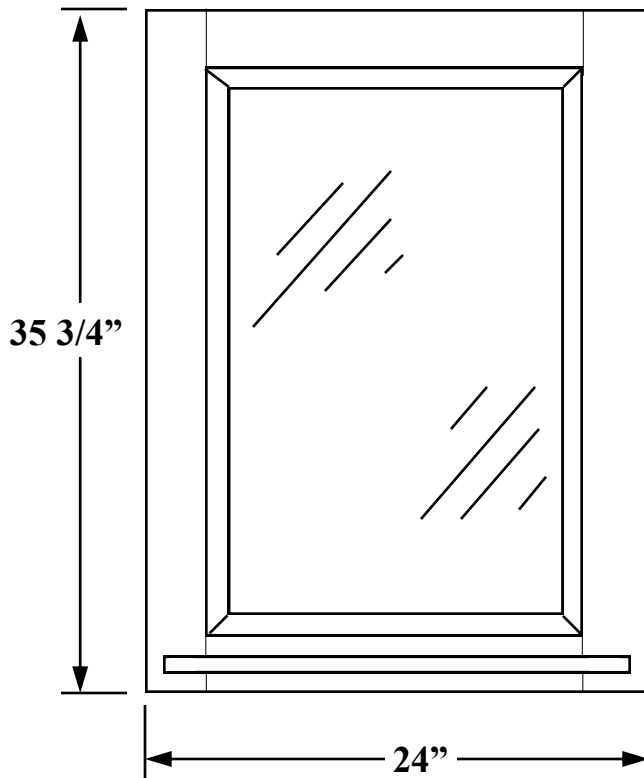
**24" W. X 35 3/4" H. X 3/4" D. (5 3/4" D. WITH OPTIONAL SHELF)
PLEASANT HILL SERIES WALL HUNG MIRROR WITH SHELF
SPECIAL ORDER**



TOP VIEW

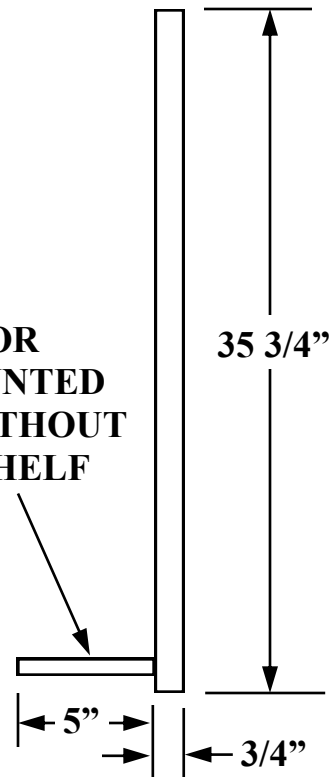
REPLACEMENT PARTS

**MIRROR: PA8199
FRAME: PAK2532
HANGER BRACKET: PA8356
GLASS RETAINER: PAK2570**



FRONT VIEW

**NOTE: MIRROR
CAN BE MOUNTED
WITH OR WITHOUT
OPTIONAL SHELF**



SIDE VIEW