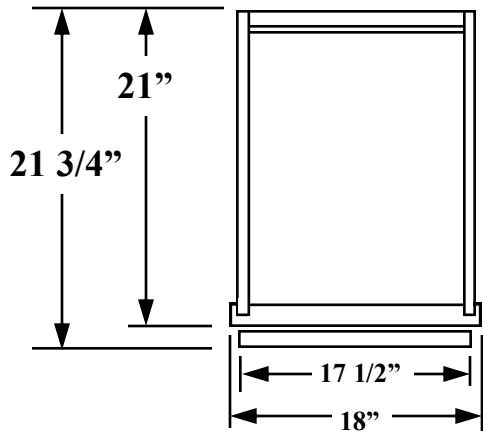


Pace

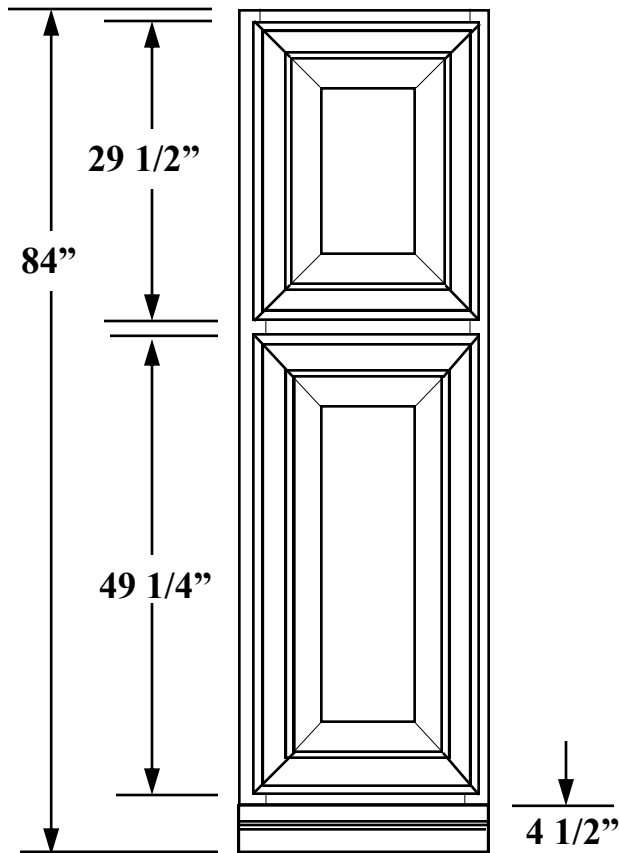
18" W. X 84" H. X 21" D. PLANTATION SERIES
TALL LINEN CABINET
SKU #6051388



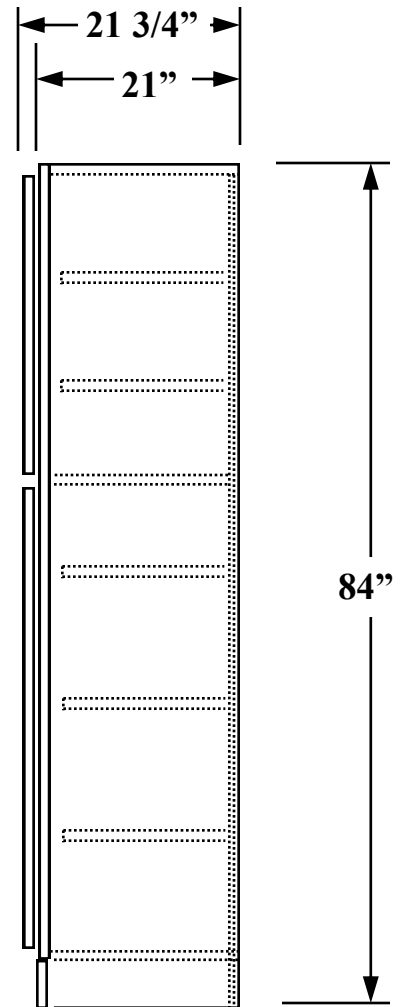
TOP VIEW

REPLACEMENT PARTS

TOP DOOR: # DORK5042
BOTTOM DOOR: # DORK5246
HINGE: # PAK805
SHELF: # PAK448
SHELF CLIP: # PA7703



FRONT VIEW



SIDE VIEW