

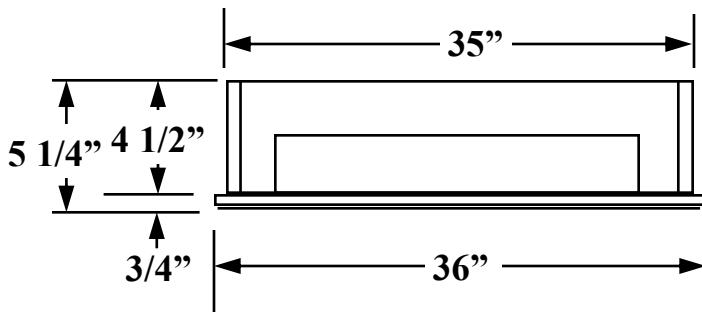
# Pace

**36" W. X 35 3/4" H. X 5 1/4" D. OAK  
LIGHTED TRI-VIEW MEDICINE CABINET  
SKU #6772484**

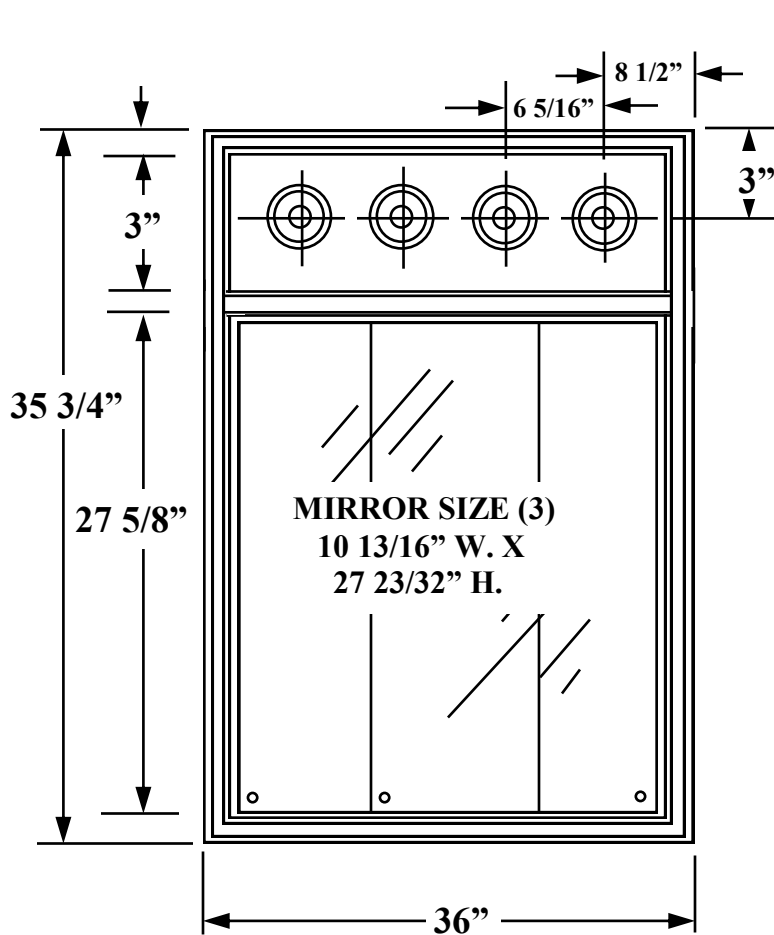
## REPLACEMENT PARTS

**CENTER DOOR: # MDA-LMOT-3635-CTR  
L. H. DOOR: # MDA-LMOT-3635-LH  
R. H. DOOR: # MDA-LMOT-3635-RH  
SHELF: # PA7905  
SHELF CLIP: # PA7703  
SOCKET SET: # PA2598-4  
CHROME SOCKET RING: # PA2599  
LIGHT FRONT: #PA8981**

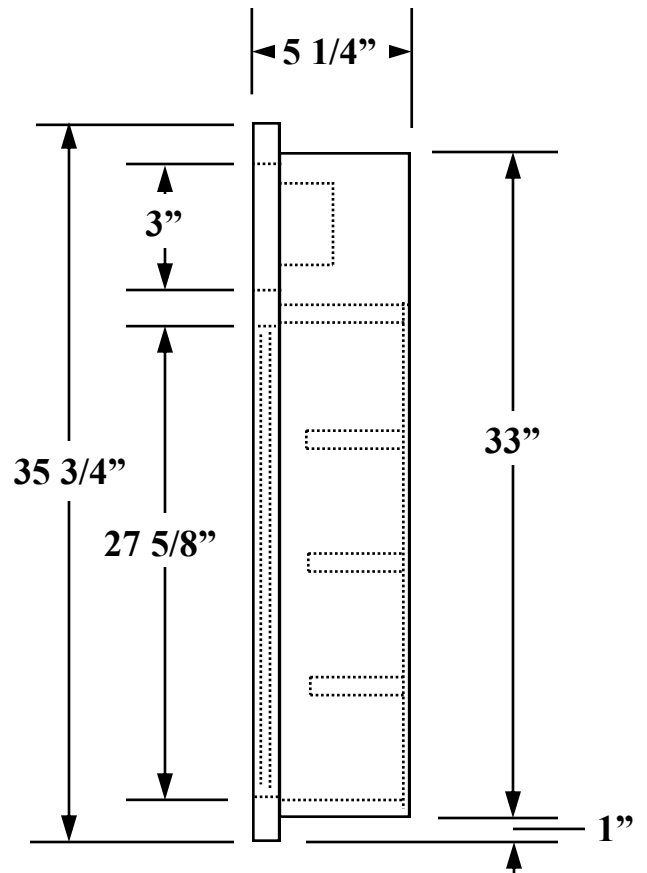
**NOTE: USE 60 WATT G-25 BULB  
MAX.**



TOP VIEW



FRONT VIEW



SIDE VIEW