

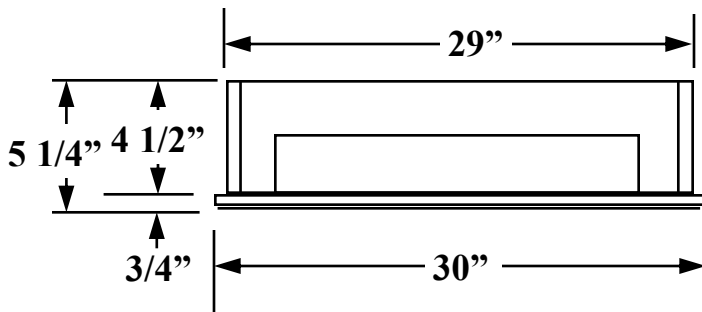
Pace

**30" W. X 35 3/4" H. X 5 1/4" D. OAK
LIGHTED TRI-VIEW MEDICINE CABINET
SKU #6772471**

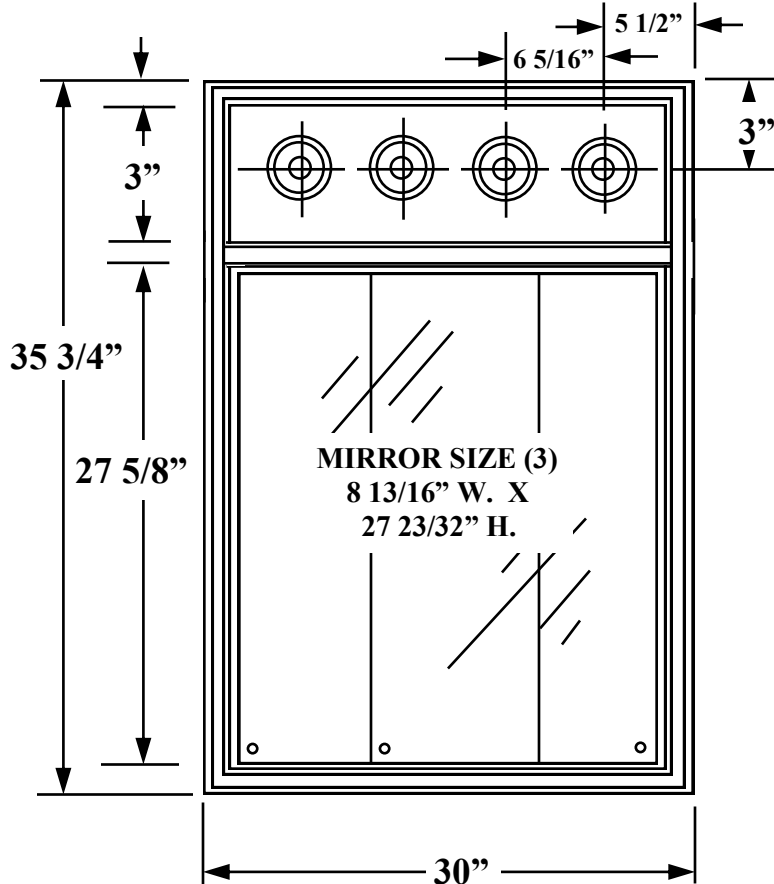
REPLACEMENT PARTS

**CENTER DOOR: # MDA-LMOT-3035-CTR
L. H. DOOR: # MDA-LMOT-3035-LH
R. H. DOOR: # MDA-LMOT-3035-RH
SHELF: # PA7904
SHELF CLIP: # PA7703
SOCKET SET: # PA2598-4
CHROME SOCKET RING: # PA2599
LIGHT FRONT: #PA8980**

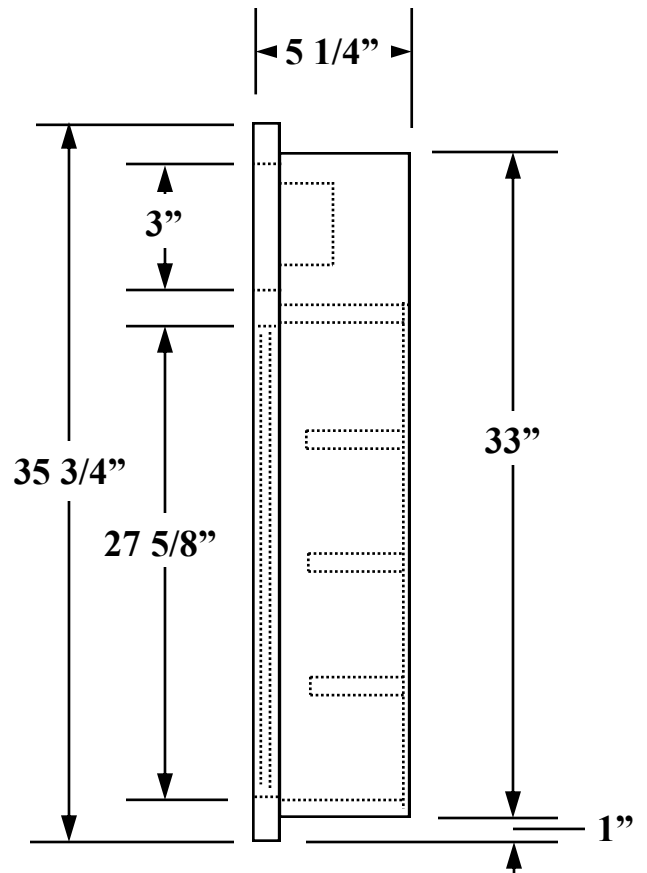
**NOTE: USE 60 WATT G-25 BULB
MAX.**



TOP VIEW



FRONT VIEW



SIDE VIEW