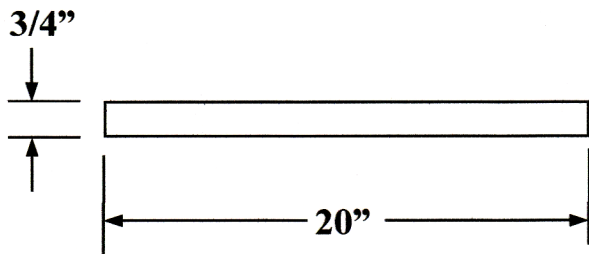


# *Pace*

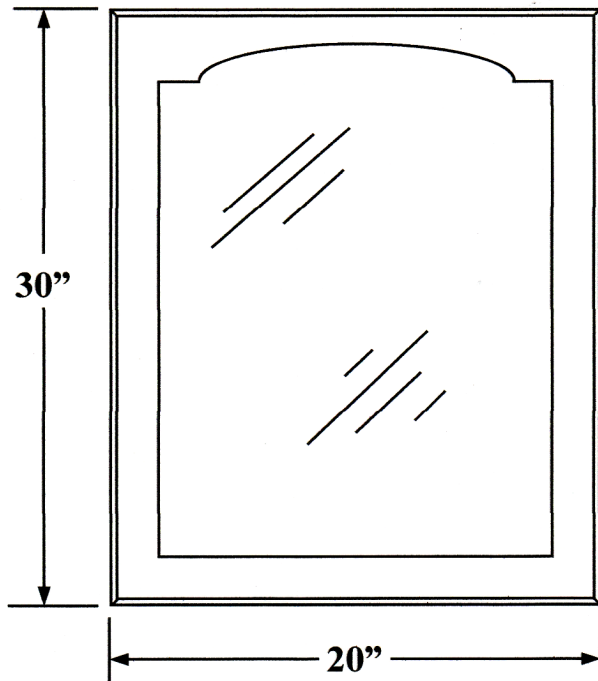
**20" W. X 30" H. X 3/4" D. KING JAMES SERIES  
WALL HUNG MIRROR  
SKU #6772683**



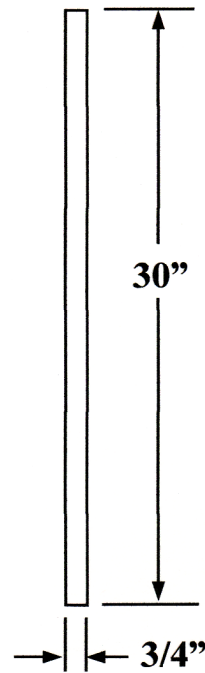
**TOP VIEW**

**REPLACEMENT PARTS**

**MIRROR: PA9930  
FRAME: PA10158  
HANGER BRACKET: PA8356  
GLASS RETAINER: PAK2570**



**FRONT VIEW**



**SIDE VIEW**