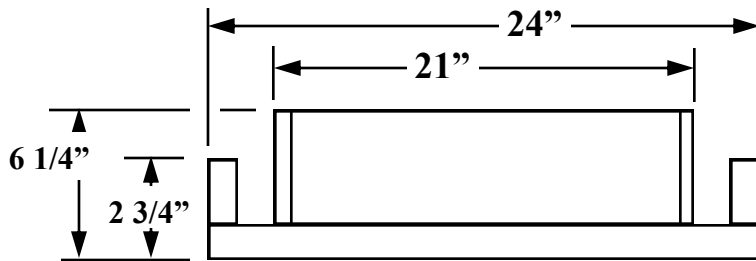


Pace

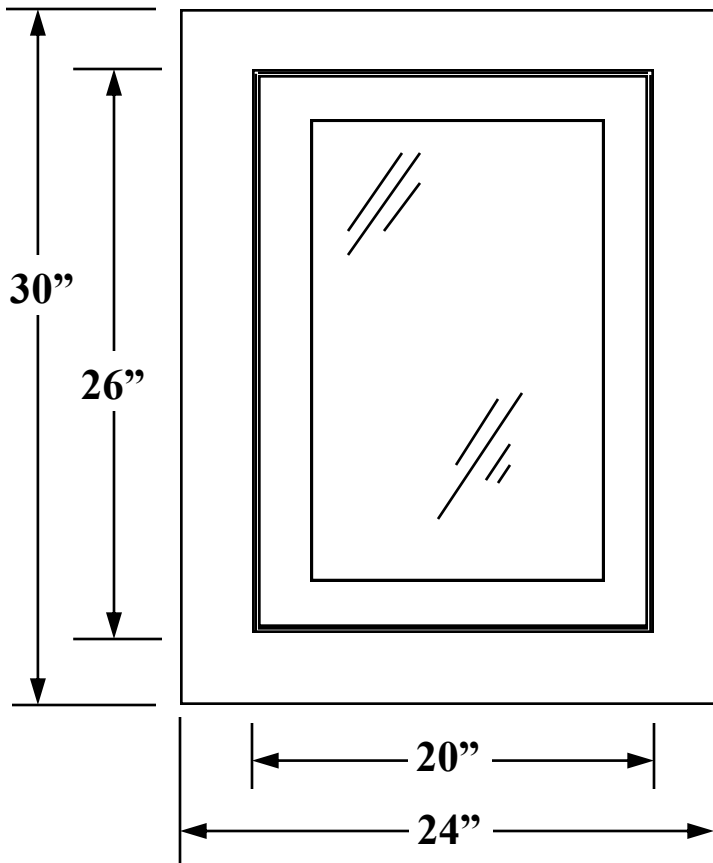
**24" W. X 30" H. X 6 1/4" D. MILAN SERIES
MEDICINE CABINET
SKU #6772654**



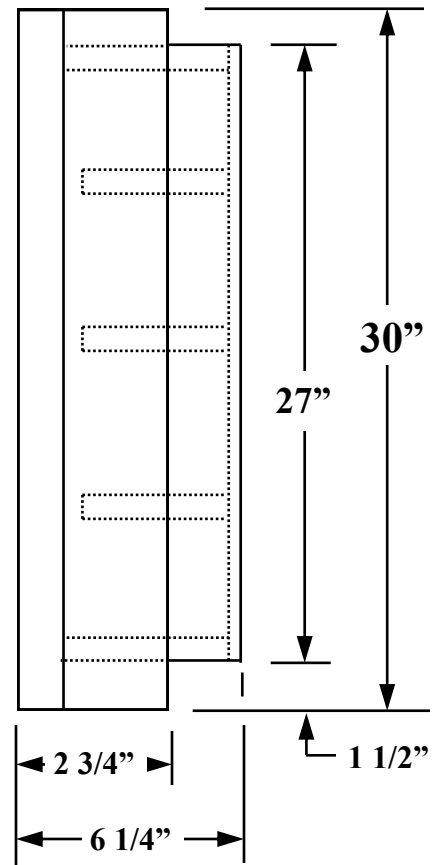
TOP VIEW

REPLACEMENT PARTS

**DOOR: # MDA-ISD-2430-ES
HINGE: #PA9064
SHELF: # PA10892
SHELF CLIP: # PA7703**



FRONT VIEW



SIDE VIEW