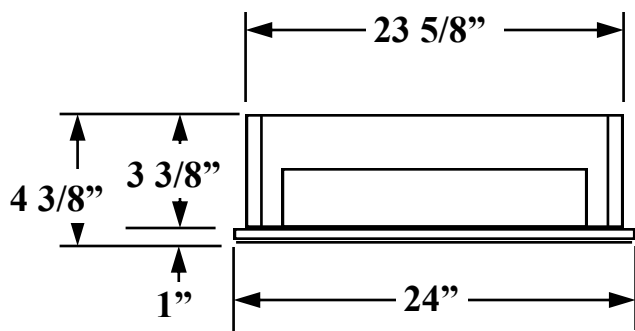
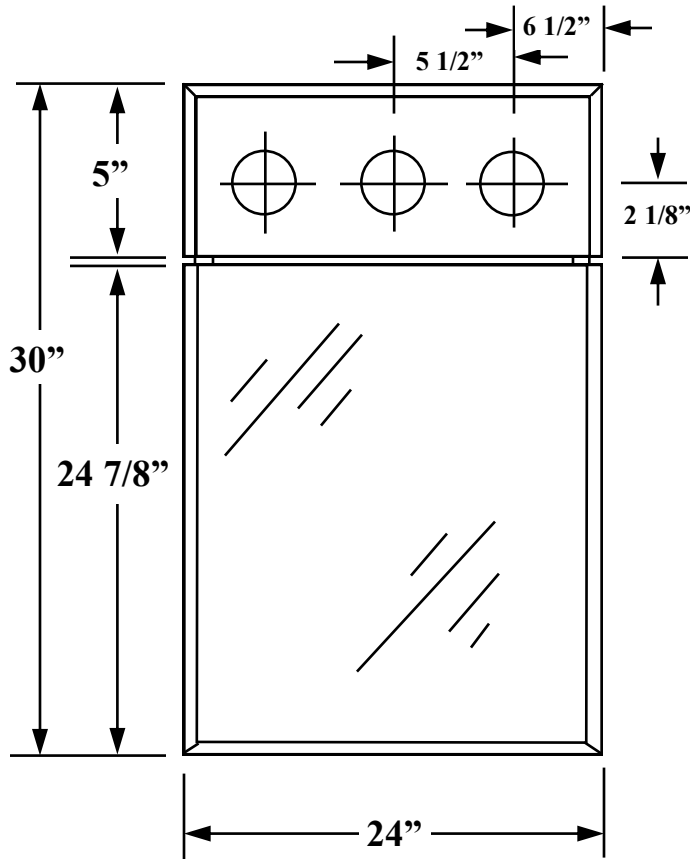


Pace

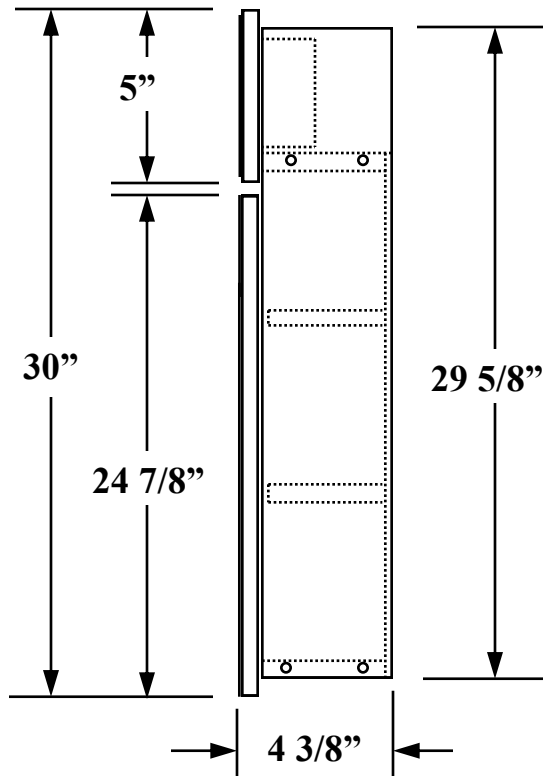
**24" W. X 30" H. X 4 3/8" D. FRAMELESS SERIES
LIGHTED MEDICINE CABINET
SKU #6772673**



TOP VIEW



FRONT VIEW



SIDE VIEW

REPLACEMENT PARTS

**DOOR: # MDA-FLM
HINGE: # PA9064
SHELF: # PA10725
SHELF CLIP: # PA7703
SOCKET SET: # PA2598-3
CHROME SOCKET RING: # PA2599**

**NOTE: USE 60 WATT G-25 BULB
MAX.**