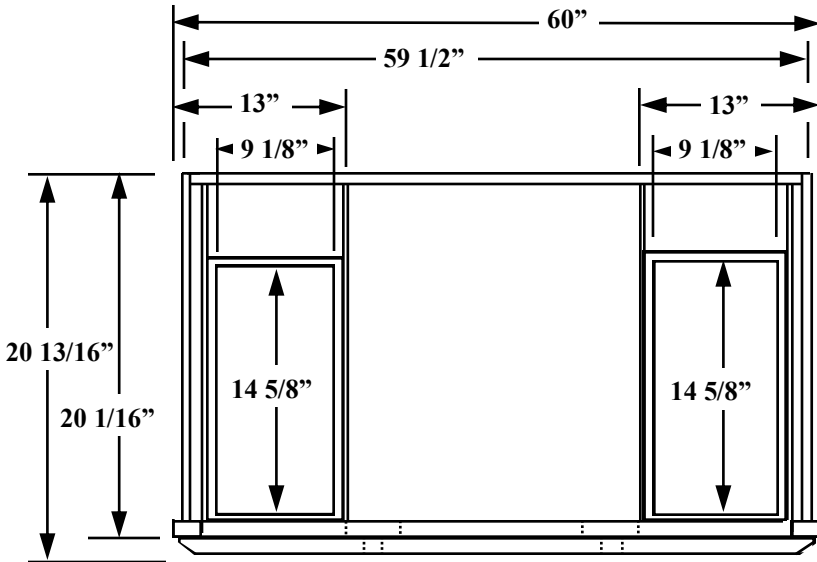


# Pace

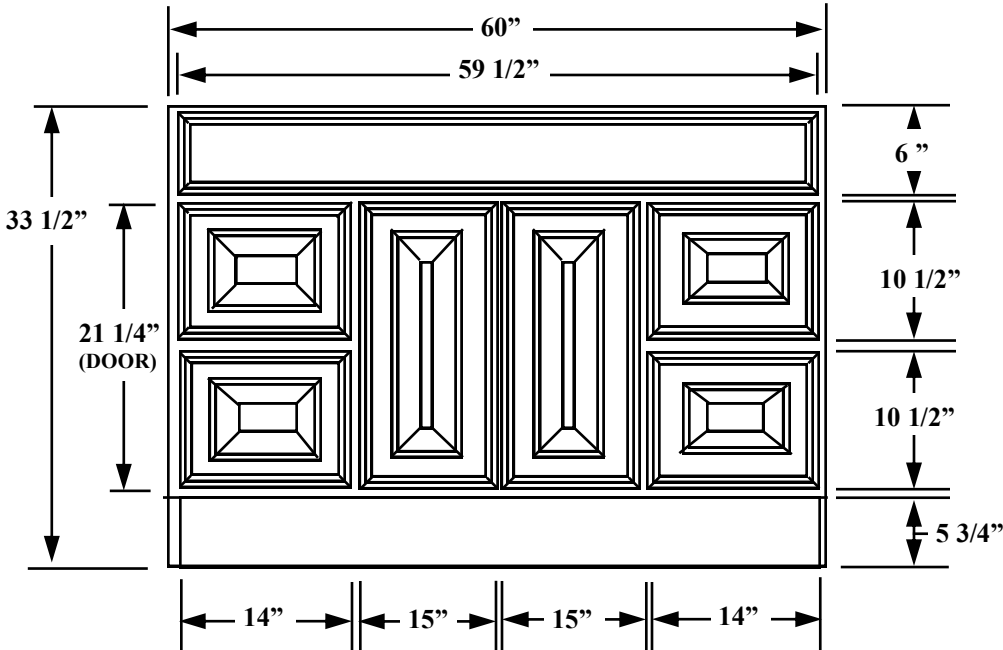
**60" W. X 33 1/2" H. X 21" D. CHARLESTON VANITY  
SPECIAL ORDER**



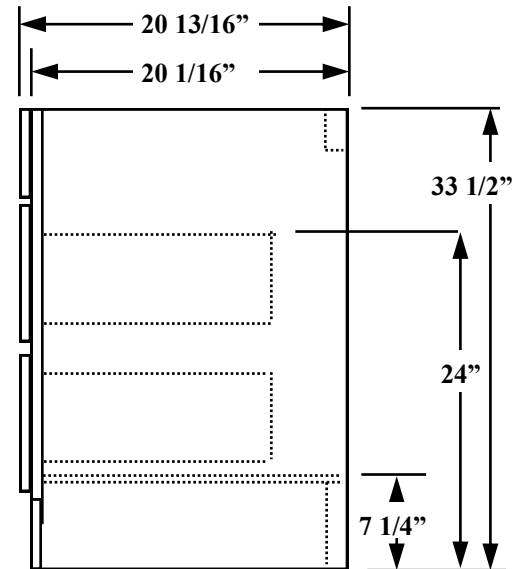
**TOP VIEW**

**REPLACEMENT PARTS**

- DOOR: # DOR9683**
- DRAWER: # CDA-CTN-21**
- APRON: # PA9691**
- KICKBOARD: # PA9696**
- HINGE: # PAK805**
- DRAWER TRACK SET: # PA9731**



**FRONT VIEW**



**SIDE VIEW**