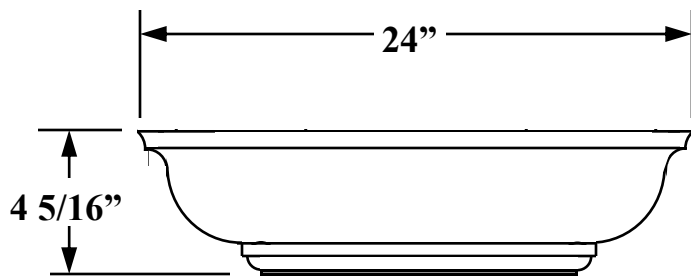


Pace

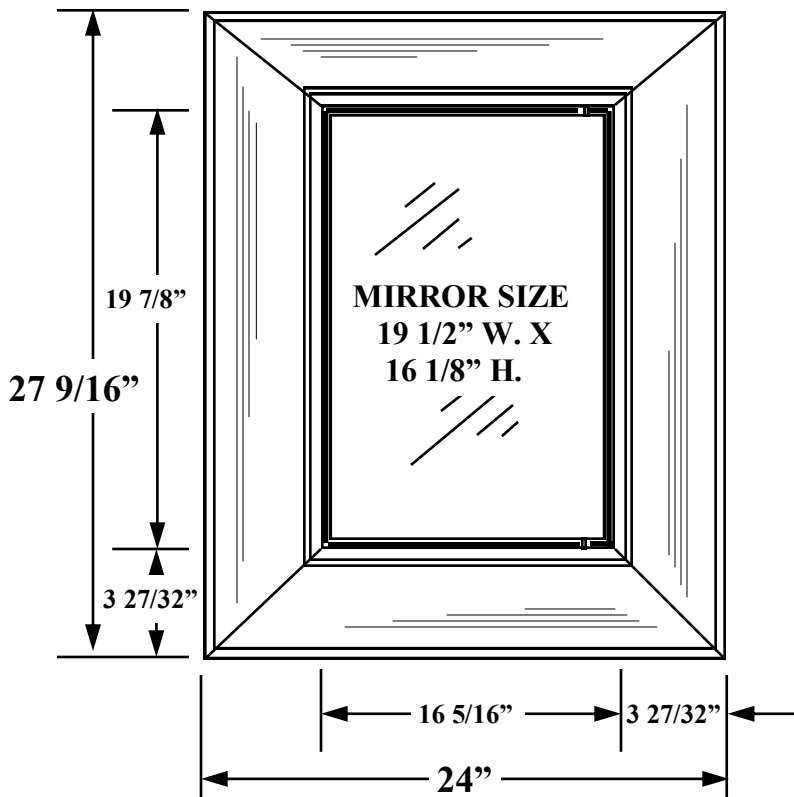
24" W. X 27 9/16" H. X 4 5/16" D. PROFILED
MEDICINE CABINET
SKU #6772728



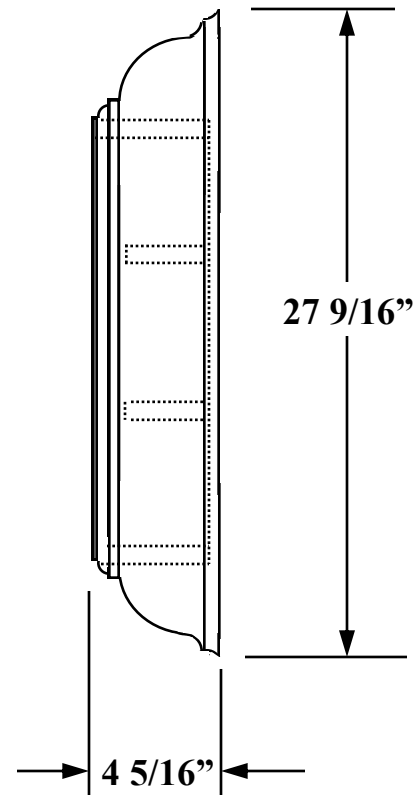
TOP VIEW

REPLACEMENT PARTS

DOOR: # MDA-CSC-2428
SHELF: # PA10422
SHELF CLIP: # PA7703



FRONT VIEW



SIDE VIEW