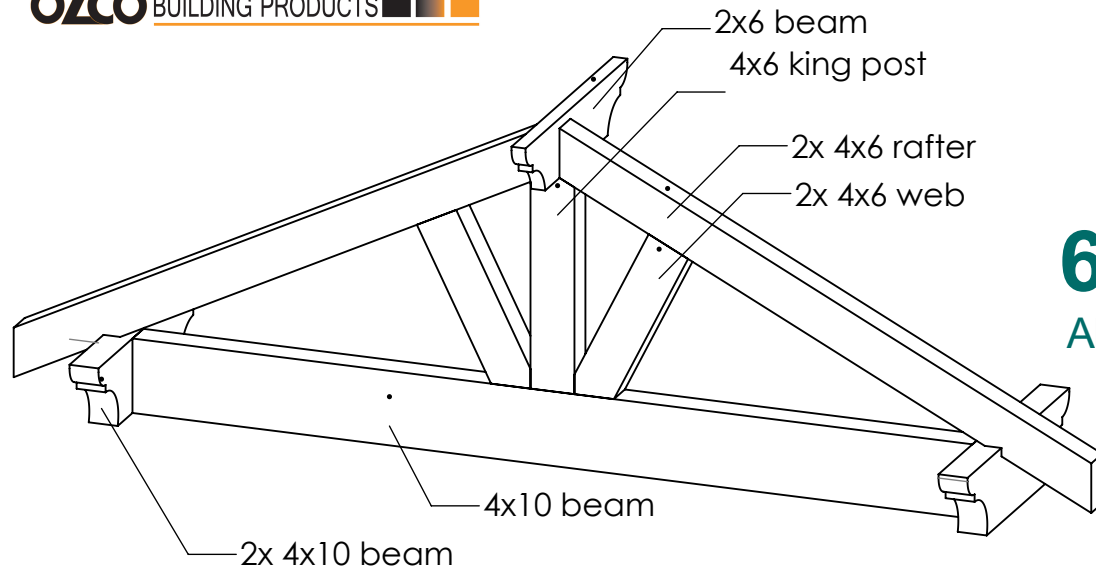




OZCO BUILDING PRODUCTS

Truss Construction Truss Base Fan Calculator



6:12 Truss Base Fan Abanico Apuntalador de 6:12 56643

| Beam (in) | King Post (in) | Rafter (in) | Web (in) |
|-----------|----------------|-------------|----------|
| 96 | 22.42 | 50.12 | 19.15 |
| 97 | 22.67 | 50.68 | 19.37 |
| 98 | 22.92 | 51.23 | 19.60 |
| 99 | 23.17 | 51.79 | 19.82 |
| 100 | 23.42 | 52.35 | 20.05 |
| 101 | 23.67 | 52.91 | 20.27 |
| 102 | 23.92 | 53.47 | 20.49 |
| 103 | 24.17 | 54.03 | 20.72 |
| 104 | 24.42 | 54.59 | 20.94 |
| 105 | 24.67 | 55.15 | 21.16 |
| 106 | 24.92 | 55.71 | 21.39 |
| 107 | 25.17 | 56.27 | 21.61 |
| 108 | 25.42 | 56.83 | 21.84 |
| 109 | 25.67 | 57.38 | 22.06 |
| 110 | 25.92 | 57.94 | 22.28 |
| 111 | 26.17 | 58.50 | 22.51 |
| 112 | 26.42 | 59.06 | 22.73 |
| 113 | 26.67 | 59.62 | 22.95 |
| 114 | 26.92 | 60.18 | 23.18 |
| 115 | 27.17 | 60.74 | 23.40 |
| 116 | 27.42 | 61.30 | 23.63 |

| Beam (in) | King Post (in) | Rafter (in) | Web (in) |
|-----------|----------------|-------------|----------|
| 117 | 27.67 | 61.86 | 23.85 |
| 118 | 27.92 | 62.42 | 24.07 |
| 119 | 28.17 | 62.98 | 24.30 |
| 120 | 28.42 | 63.54 | 24.52 |
| 121 | 28.67 | 64.09 | 24.74 |
| 122 | 28.92 | 64.65 | 24.97 |
| 123 | 29.17 | 65.21 | 25.19 |
| 124 | 29.42 | 65.77 | 25.42 |
| 125 | 29.67 | 66.33 | 25.64 |
| 126 | 29.92 | 66.89 | 25.86 |
| 127 | 30.17 | 67.45 | 26.09 |
| 128 | 30.42 | 68.01 | 26.31 |
| 129 | 30.67 | 68.57 | 26.53 |
| 130 | 30.92 | 69.13 | 26.76 |
| 131 | 31.17 | 69.69 | 26.98 |
| 132 | 31.42 | 70.24 | 27.21 |
| 133 | 31.67 | 70.80 | 27.43 |
| 134 | 31.92 | 71.36 | 27.65 |
| 135 | 32.17 | 71.92 | 27.88 |
| 136 | 32.42 | 72.48 | 28.10 |
| 137 | 32.67 | 73.04 | 28.32 |

| Beam (in) | King Post (in) | Rafter (in) | Web (in) |
|-----------|----------------|-------------|----------|
| 138 | 32.92 | 73.60 | 28.55 |
| 139 | 33.17 | 74.16 | 28.77 |
| 140 | 33.42 | 74.72 | 29.00 |
| 141 | 33.67 | 75.28 | 29.22 |
| 142 | 33.92 | 75.84 | 29.44 |
| 143 | 34.17 | 76.39 | 29.67 |
| 144 | 34.42 | 76.95 | 29.89 |
| 145 | 34.67 | 77.51 | 30.11 |
| 146 | 34.92 | 78.07 | 30.34 |
| 147 | 35.17 | 78.63 | 30.56 |
| 148 | 35.42 | 79.19 | 30.79 |
| 149 | 35.67 | 79.75 | 31.01 |
| 150 | 35.92 | 80.31 | 31.23 |
| 151 | 36.17 | 80.87 | 31.46 |
| 152 | 36.42 | 81.43 | 31.68 |
| 153 | 36.67 | 81.99 | 31.90 |
| 154 | 36.92 | 82.55 | 32.13 |
| 155 | 37.17 | 83.10 | 32.35 |
| 156 | 37.42 | 83.66 | 32.58 |
| 157 | 37.67 | 84.22 | 32.80 |
| 158 | 37.92 | 84.78 | 33.02 |

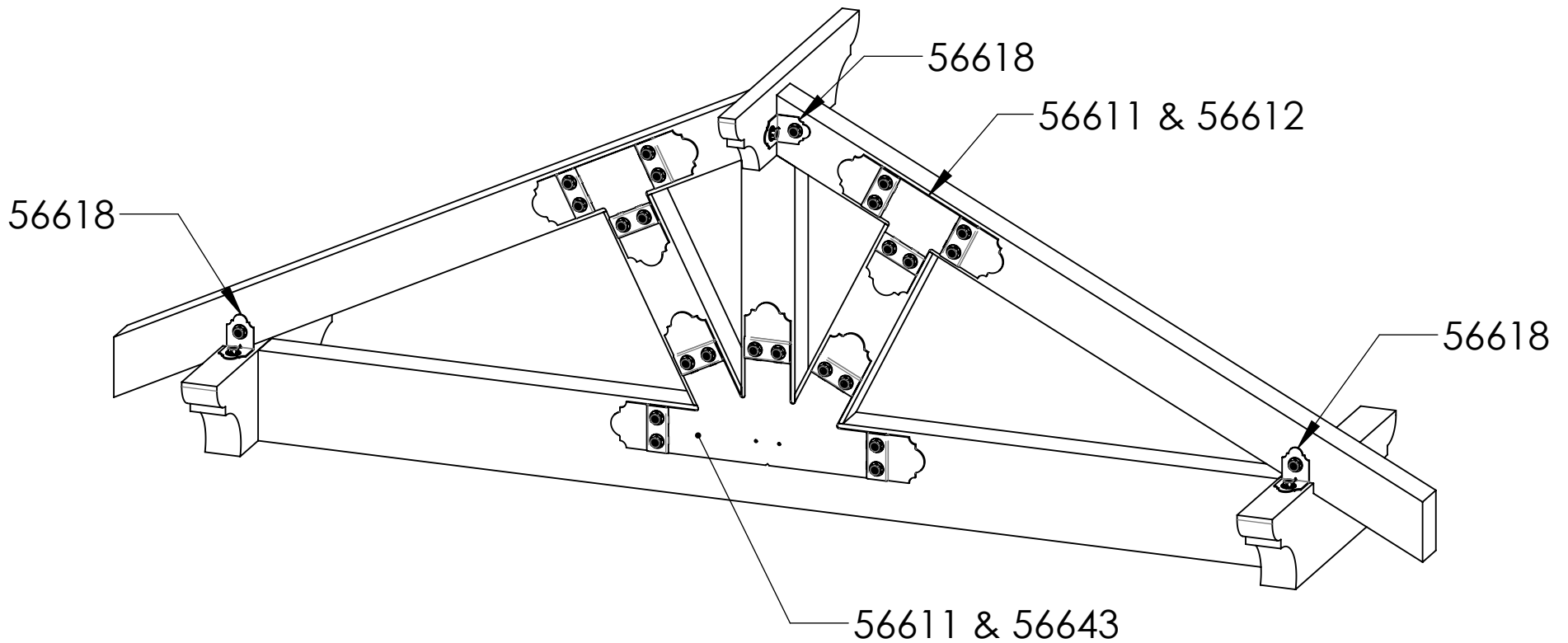
| Beam (in) | King Post (in) | Rafter (in) | Web (in) |
|-----------|----------------|-------------|----------|
| 159 | 38.17 | 85.34 | 33.25 |
| 160 | 38.42 | 85.90 | 33.47 |
| 161 | 38.67 | 86.46 | 33.69 |
| 162 | 38.92 | 87.02 | 33.92 |
| 163 | 39.17 | 87.58 | 34.14 |
| 164 | 39.42 | 88.14 | 34.37 |
| 165 | 39.67 | 88.70 | 34.59 |
| 166 | 39.92 | 89.25 | 34.81 |
| 167 | 40.17 | 89.81 | 35.04 |
| 168 | 40.42 | 90.37 | 35.26 |
| 169 | 40.67 | 90.93 | 35.48 |
| 170 | 40.92 | 91.49 | 35.71 |
| 171 | 41.17 | 92.05 | 35.93 |
| 172 | 41.42 | 92.61 | 36.16 |
| 173 | 41.67 | 93.17 | 36.38 |
| 174 | 41.92 | 93.73 | 36.60 |
| 175 | 42.17 | 94.29 | 36.83 |
| 176 | 42.42 | 94.85 | 37.05 |
| 177 | 42.67 | 95.41 | 37.27 |
| 178 | 42.92 | 95.96 | 37.50 |
| 179 | 43.17 | 96.52 | 37.72 |

| Beam (in) | King Post (in) | Rafter (in) | Web (in) |
|-----------|----------------|-------------|----------|
| 180 | 43.42 | 97.08 | 37.95 |
| 181 | 43.67 | 97.64 | 38.17 |
| 182 | 43.92 | 98.20 | 38.39 |
| 183 | 44.17 | 98.76 | 38.62 |
| 184 | 44.42 | 99.32 | 38.84 |
| 185 | 44.67 | 99.88 | 39.06 |
| 186 | 44.92 | 100.44 | 39.29 |
| 187 | 45.17 | 101.00 | 39.51 |
| 188 | 45.42 | 101.56 | 39.74 |
| 189 | 45.67 | 102.11 | 39.96 |
| 190 | 45.92 | 102.67 | 40.18 |
| 191 | 46.17 | 103.23 | 40.41 |
| 192 | 46.42 | 103.79 | 40.63 |
| 193 | 46.67 | 104.35 | 40.85 |
| 194 | 46.92 | 104.91 | 41.08 |
| 195 | 47.17 | 105.47 | 41.30 |
| 196 | 47.42 | 106.03 | 41.53 |
| 197 | 47.67 | 106.59 | 41.75 |
| 198 | 47.92 | 107.15 | 41.97 |
| 199 | 48.17 | 107.71 | 42.20 |
| 200 | 48.42 | 108.27 | 42.42 |

Truss Construction

56643 Truss Base Fan Calculator

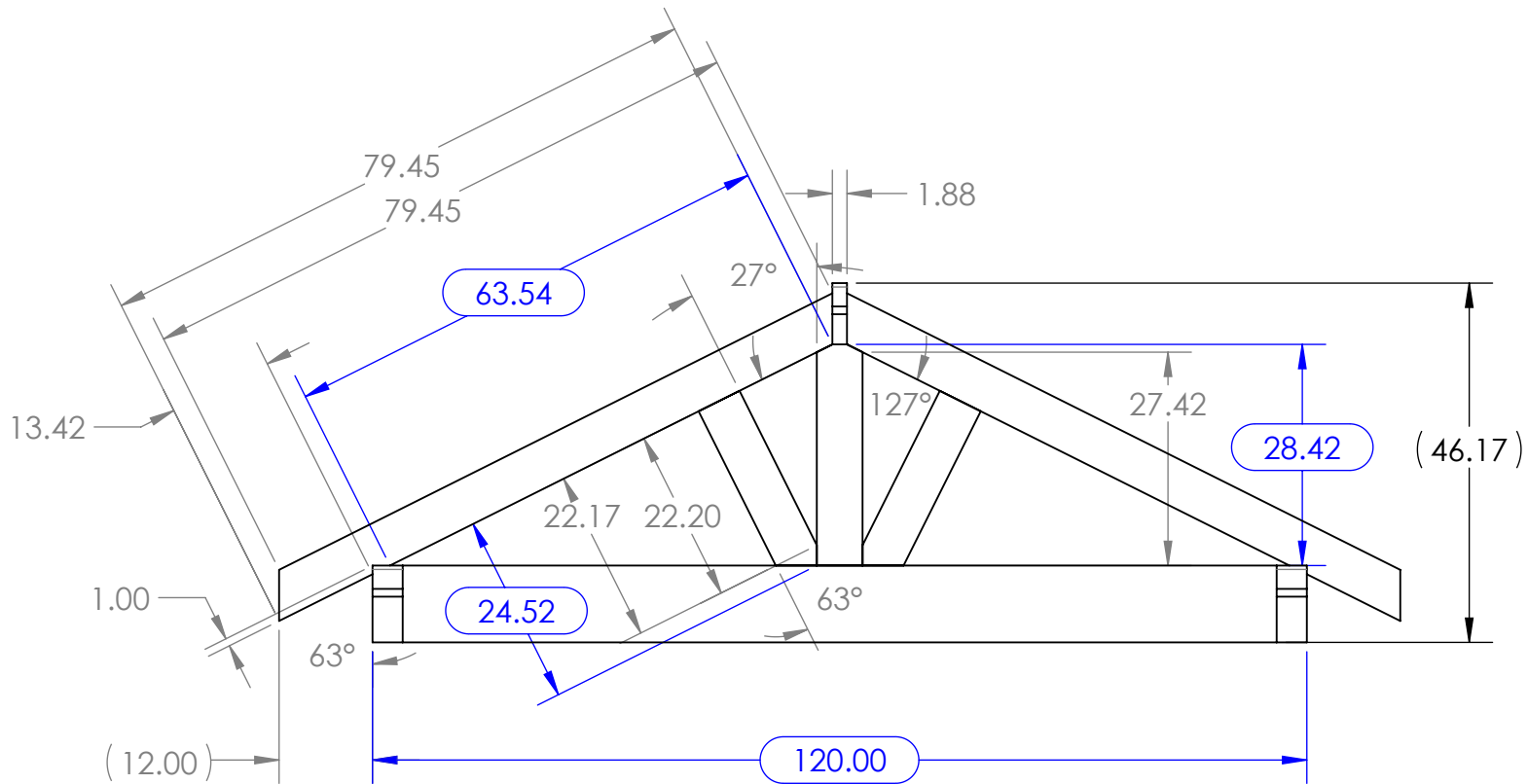
6:12



Truss Construction

56643 Truss Base Fan Calculator

6:12



| Board | Length |
|-----------|--------|
| Beam | 120.00 |
| Rafter | 63.54 |
| King Post | 28.42 |
| Web Post | 24.52 |

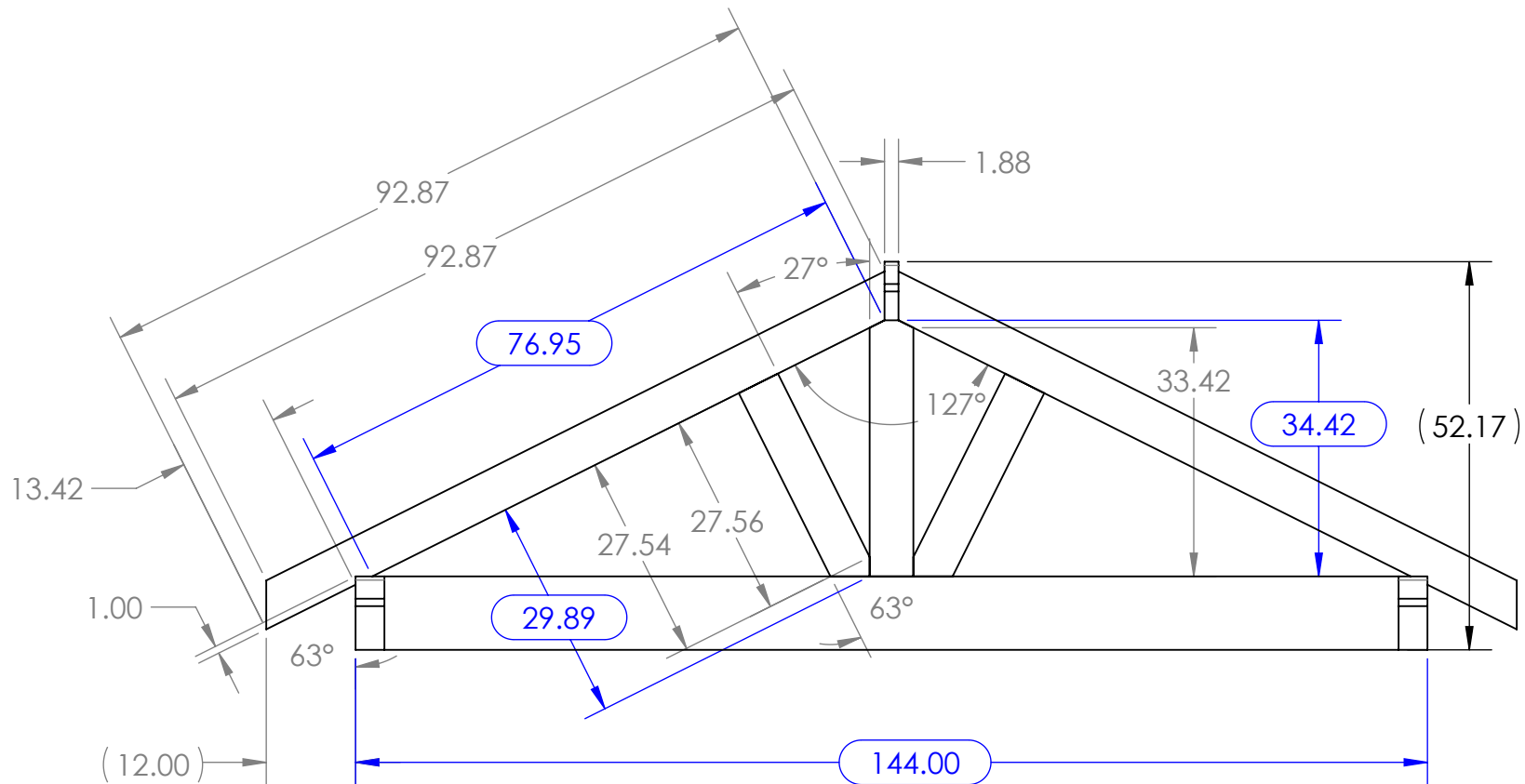
Weight: 206.55 LBS
 Scale: 1:24
 Last updated: 1/15/2015

56643 Truss Base Fan Calculator

Truss Construction

56643 Truss Base Fan Calculator

6:12



| Board | Length |
|-----------|--------|
| Beam | 144.00 |
| Rafter | 76.95 |
| King Post | 34.42 |
| Web Post | 29.89 |

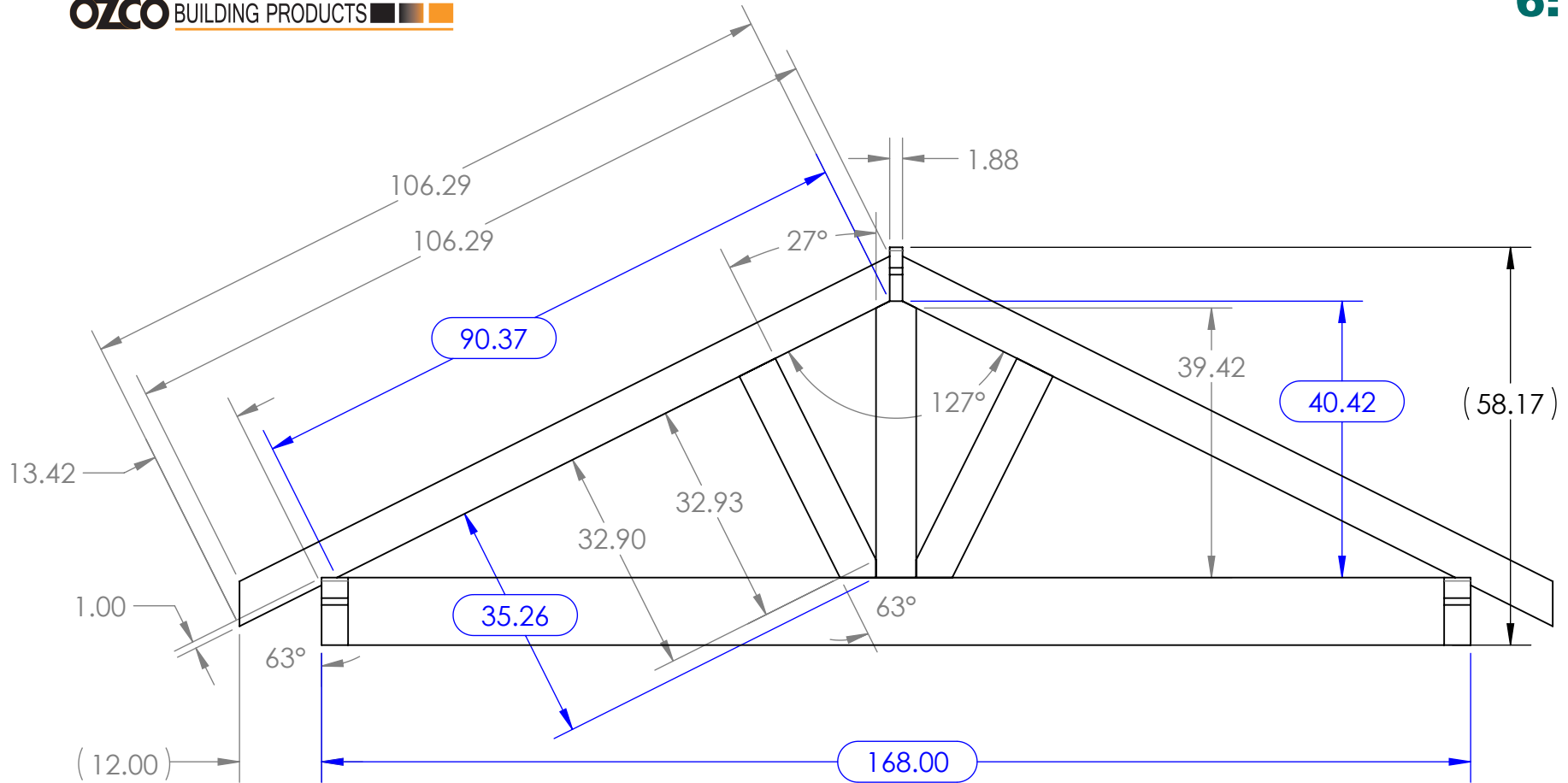
Weight: 238.98 LBS
 Scale: 1:24
 Last updated: 1/15/2015

56643 Truss Base Fan Calculator

Truss Construction

56643 Truss Base Fan Calculator

6:12



| Board | Length |
|-----------|--------|
| Beam | 168.00 |
| Rafter | 90.37 |
| King Post | 40.42 |
| Web Post | 35.26 |

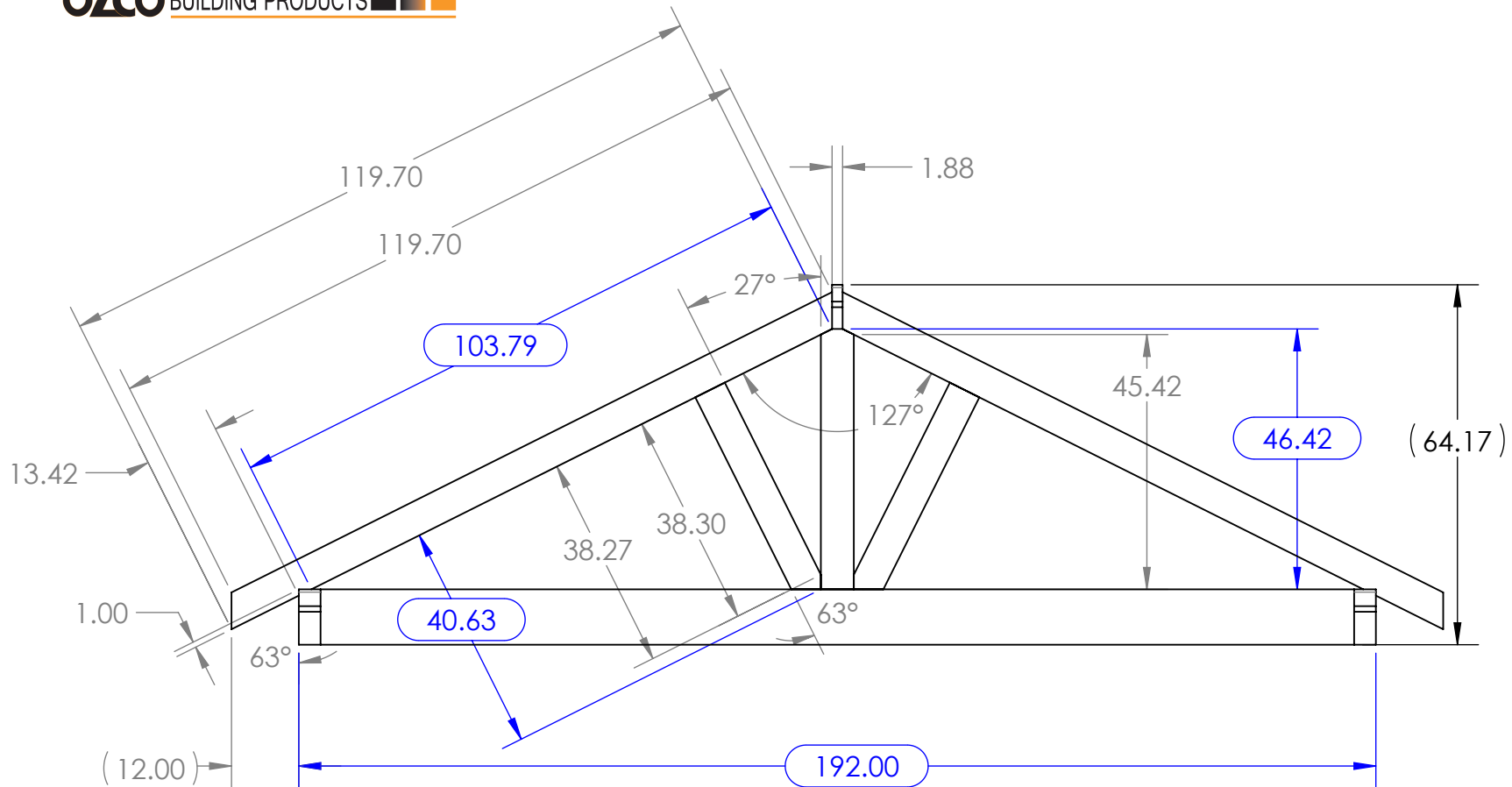
Weight: 271.42 LBS
 Scale: 1:24
 Last updated: 1/15/2015

56643 Truss Base Fan Calculator

Truss Construction

56643 Truss Base Fan Calculator

6:12



| Board | Length |
|-----------|--------|
| Beam | 192.00 |
| Rafter | 103.79 |
| King Post | 46.42 |
| Web Post | 40.63 |

Weight: 303.86 LBS
 Scale: 1:30
 Last updated: 1/15/2015

56643 Truss Base Fan Calculator