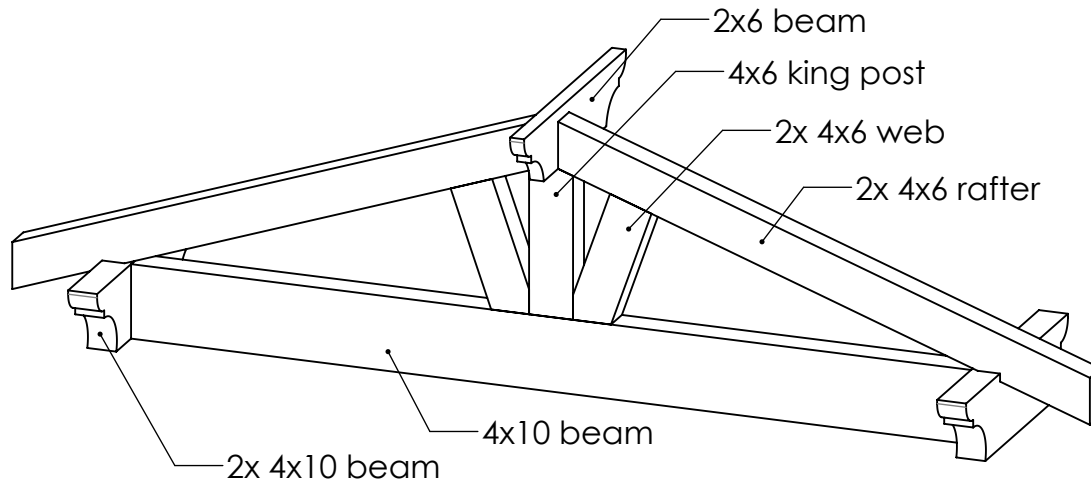




OZCO BUILDING PRODUCTS

# Truss Construction Truss Base Fan Calculator



## 4:12 Truss Base Fan Abanico Apuntalador de 4:12 56642

Beam (in)	King Post (in)	Rafter (in)	Web (in)
96	15.54	46.71	13.99
97	15.72	47.24	14.16
98	15.90	47.77	14.33
99	16.07	48.30	14.49
100	16.25	48.83	14.66
101	16.43	49.36	14.82
102	16.60	49.89	14.99
103	16.78	50.42	15.16
104	16.95	50.95	15.32
105	17.13	51.48	15.49
106	17.31	52.01	15.66
107	17.48	52.54	15.82
108	17.66	53.07	15.99
109	17.84	53.60	16.15
110	18.01	54.13	16.32
111	18.19	54.66	16.49
112	18.36	55.19	16.65
113	18.54	55.72	16.82
114	18.72	56.25	16.99
115	18.89	56.78	17.15
116	19.07	57.31	17.32

Beam (in)	King Post (in)	Rafter (in)	Web (in)
117	19.25	57.84	17.49
118	19.42	58.38	17.65
119	19.60	58.91	17.82
120	19.77	59.44	17.98
121	19.95	59.97	18.15
122	20.13	60.50	18.32
123	20.30	61.03	18.48
124	20.48	61.56	18.65
125	20.66	62.09	18.82
126	20.83	62.62	18.98
127	21.01	63.15	19.15
128	21.18	63.68	19.31
129	21.36	64.21	19.48
130	21.54	64.74	19.65
131	21.71	65.27	19.81
132	21.89	65.80	19.98
133	22.07	66.33	20.15
134	22.24	66.86	20.31
135	22.42	67.39	20.48
136	22.60	67.92	20.64
137	22.77	68.45	20.81

Beam (in)	King Post (in)	Rafter (in)	Web (in)
138	22.95	68.98	20.98
139	23.12	69.51	21.14
140	23.30	70.04	21.31
141	23.48	70.57	21.48
142	23.65	71.10	21.64
143	23.83	71.63	21.81
144	24.01	72.17	21.97
145	24.18	72.70	22.14
146	24.36	73.23	22.31
147	24.53	73.76	22.47
148	24.71	74.29	22.64
149	24.89	74.82	22.81
150	25.06	75.35	22.97
151	25.24	75.88	23.14
152	25.42	76.41	23.31
153	25.59	76.94	23.47
154	25.77	77.47	23.64
155	25.94	78.00	23.80
156	26.12	78.53	23.97
157	26.30	79.06	24.14
158	26.47	79.59	24.30

Beam (in)	King Post (in)	Rafter (in)	Web (in)
159	26.65	80.12	24.47
160	26.83	80.65	24.64
161	27.00	81.18	24.80
162	27.18	81.71	24.97
163	27.35	82.24	25.13
164	27.53	82.77	25.30
165	27.71	83.30	25.47
166	27.88	83.83	25.63
167	28.06	84.36	25.80
168	28.24	84.89	25.97
169	28.41	85.42	26.13
170	28.59	85.96	26.30
171	28.77	86.49	26.46
172	28.94	87.02	26.63
173	29.12	87.55	26.80
174	29.29	88.08	26.96
175	29.47	88.61	27.13
176	29.65	89.14	27.30
177	29.82	89.67	27.46
178	30.00	90.20	27.63
179	30.18	90.73	27.79

Beam (in)	King Post (in)	Rafter (in)	Web (in)
180	30.35	91.26	27.96
181	30.53	91.79	28.13
182	30.70	92.32	28.29
183	30.88	92.85	28.46
184	31.06	93.38	28.63
185	31.23	93.91	28.79
186	31.41	94.44	28.96
187	31.59	94.97	29.12
188	31.76	95.50	29.29
189	31.94	96.03	29.46
190	32.11	96.56	29.62
191	32.29	97.09	29.79
192	32.47	97.62	29.96
193	32.64	98.15	30.12
194	32.82	98.68	30.29
195	33.00	99.21	30.46
196	33.17	99.75	30.62
197	33.35	100.28	30.79
198	33.52	100.81	30.95
199	33.70	101.34	31.12
200	33.88	101.87	31.29



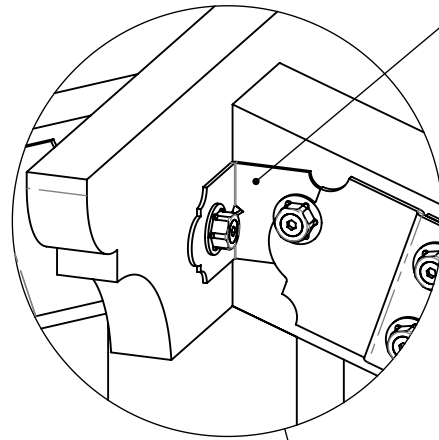
OZCO BUILDING PRODUCTS

# Truss Construction

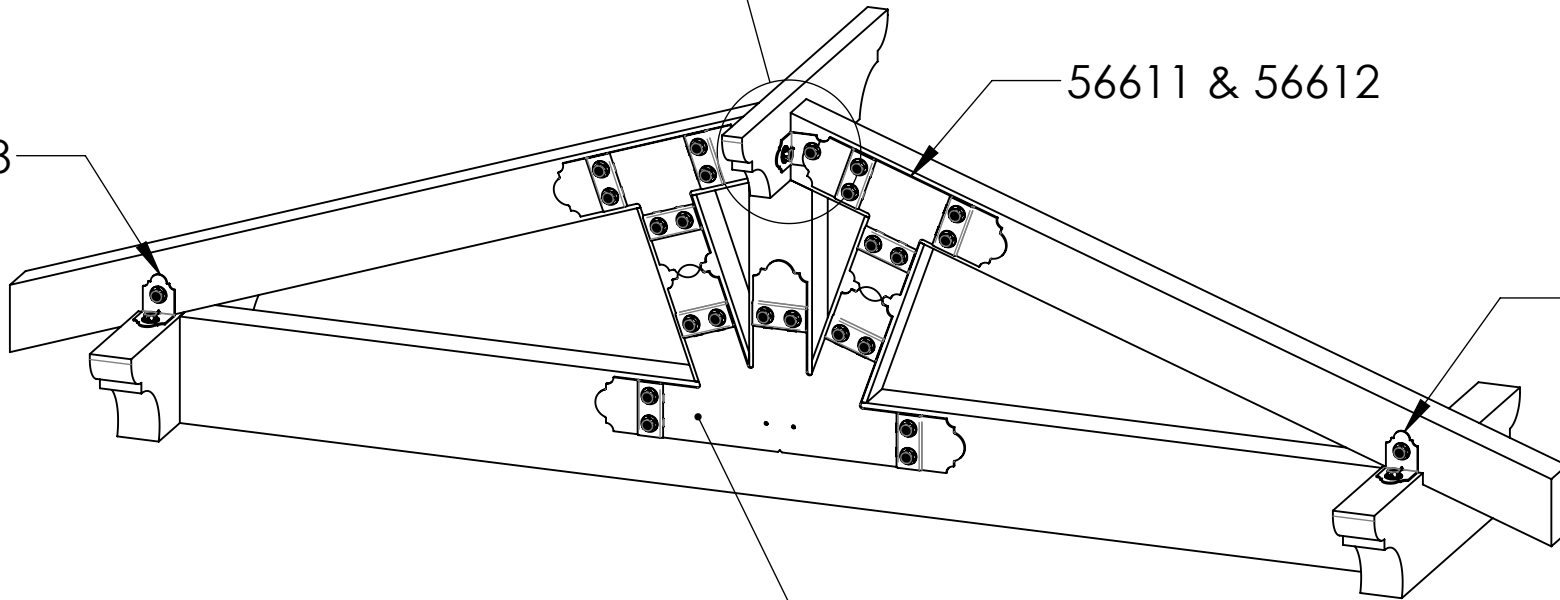
## 56642 Truss Base Fan Calculator

### 4:12

NOTE:  
4:12 Truss Base Fan ONLY  
56618 in this location will NOT  
fit on Truss widths of 10' & 12'



56618



56611 & 56612

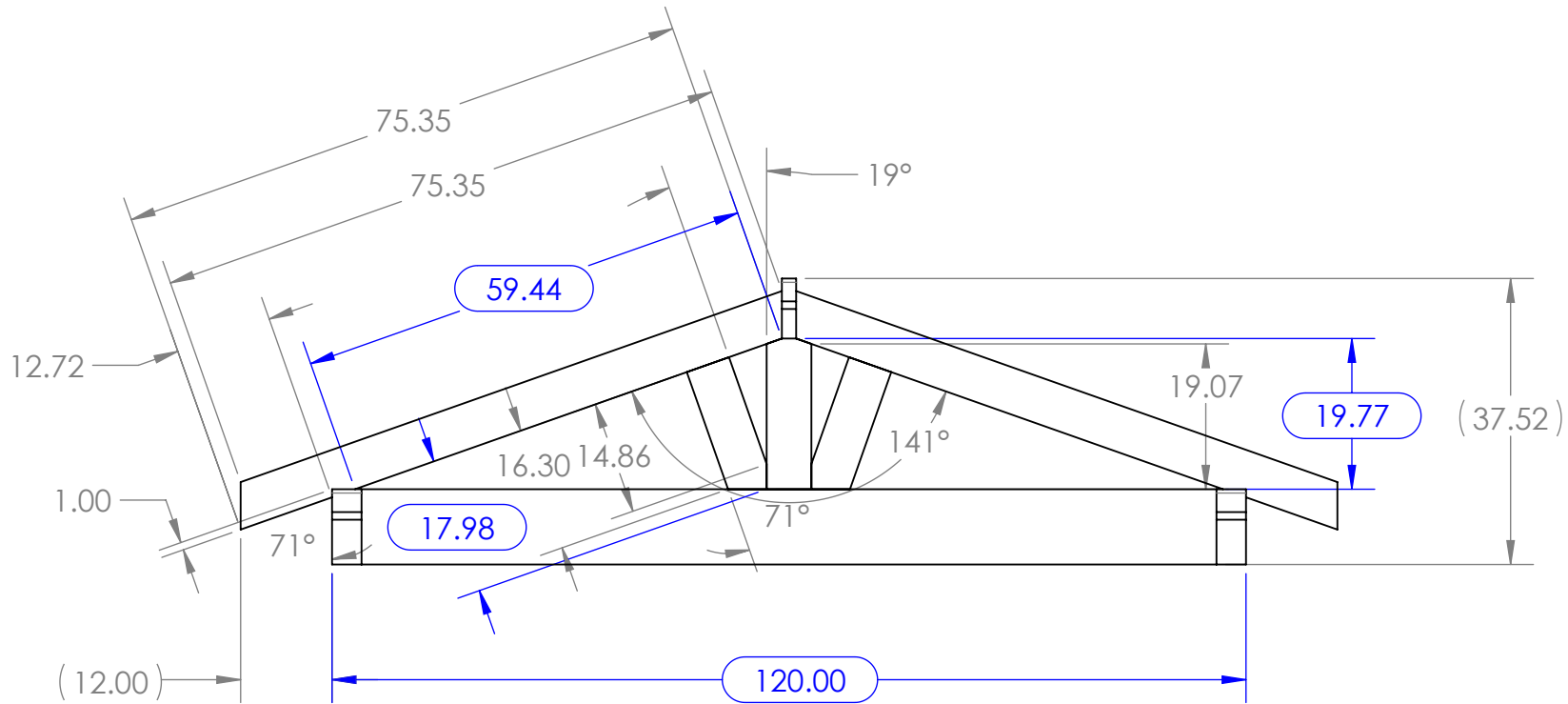
56618

56611 & 56643

# Truss Construction

## 56642 Truss Base Fan Calculator

### 4:12



Board	Length
Beam	120.00
Rafter	59.44
King Post	19.77
Web Post	17.98

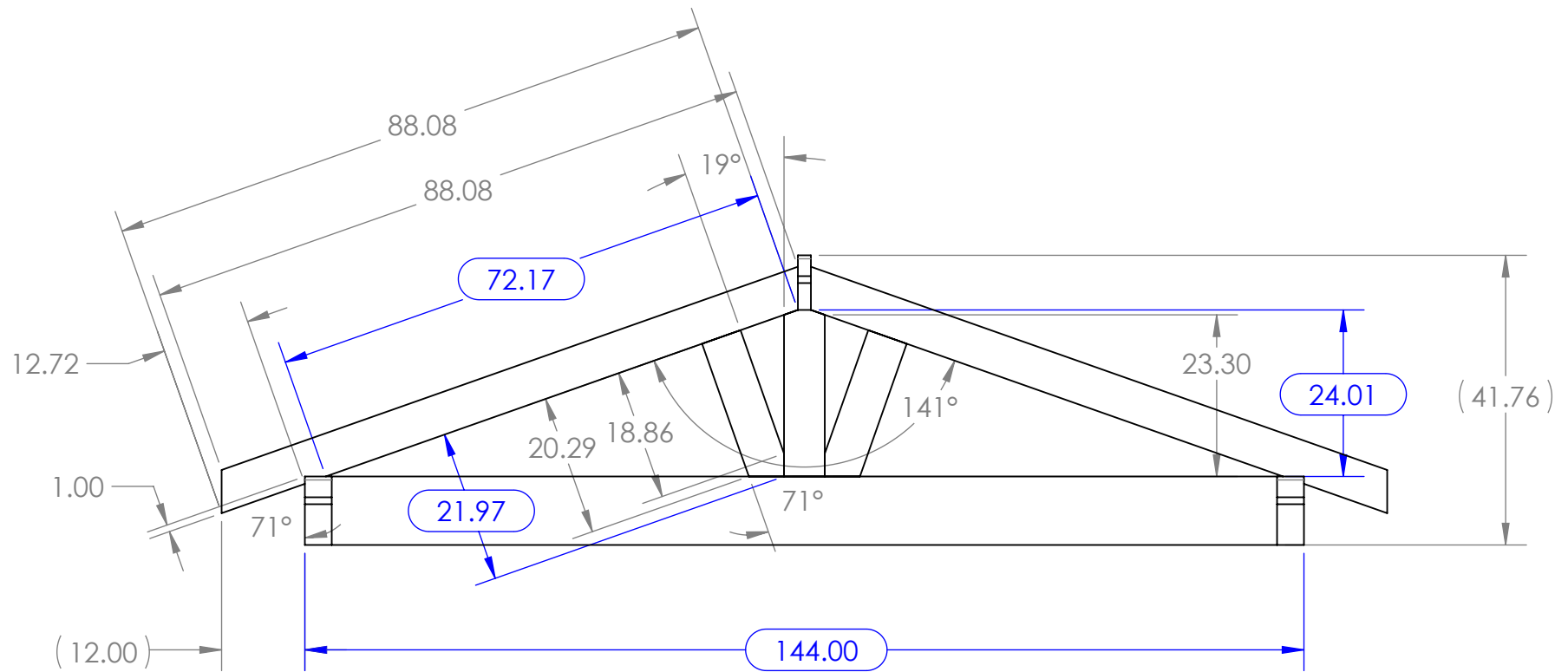
Weight: 195.13 LBS  
 Scale: 1:24  
 Last updated: 1/15/2015

56642 Truss Base Fan Calculator

# Truss Construction

## 56642 Truss Base Fan Calculator

### 4:12



Board	Length
Beam	144.00
Rafter	72.17
King Post	24.01
Web Post	21.97

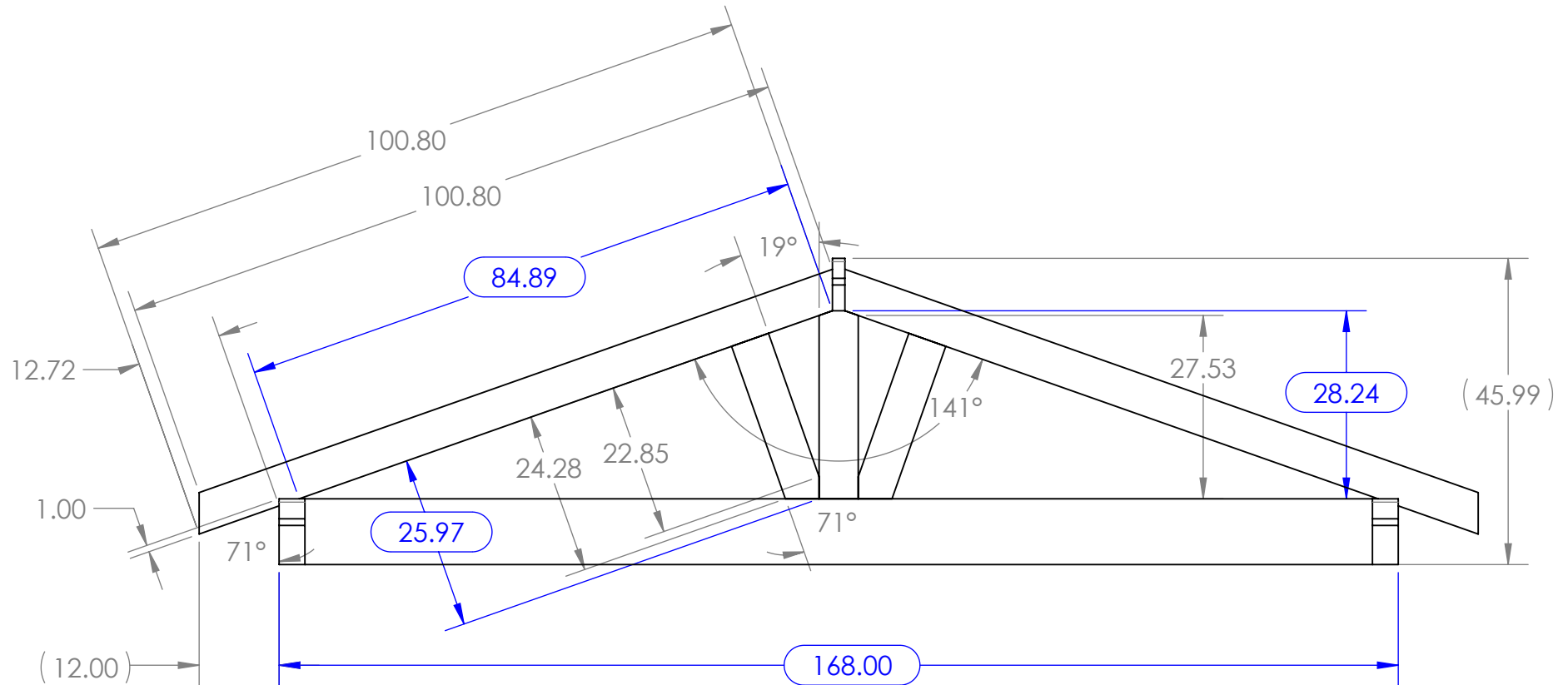
Weight: 225.28 LBS  
 Scale: 1:24  
 Last updated: 1/15/2015

**56642 Truss Base Fan Calculator**

# Truss Construction

## 56642 Truss Base Fan Calculator

### 4:12



Board	Length
Beam	168.00
Rafter	84.89
King Post	28.24
Web Post	25.97

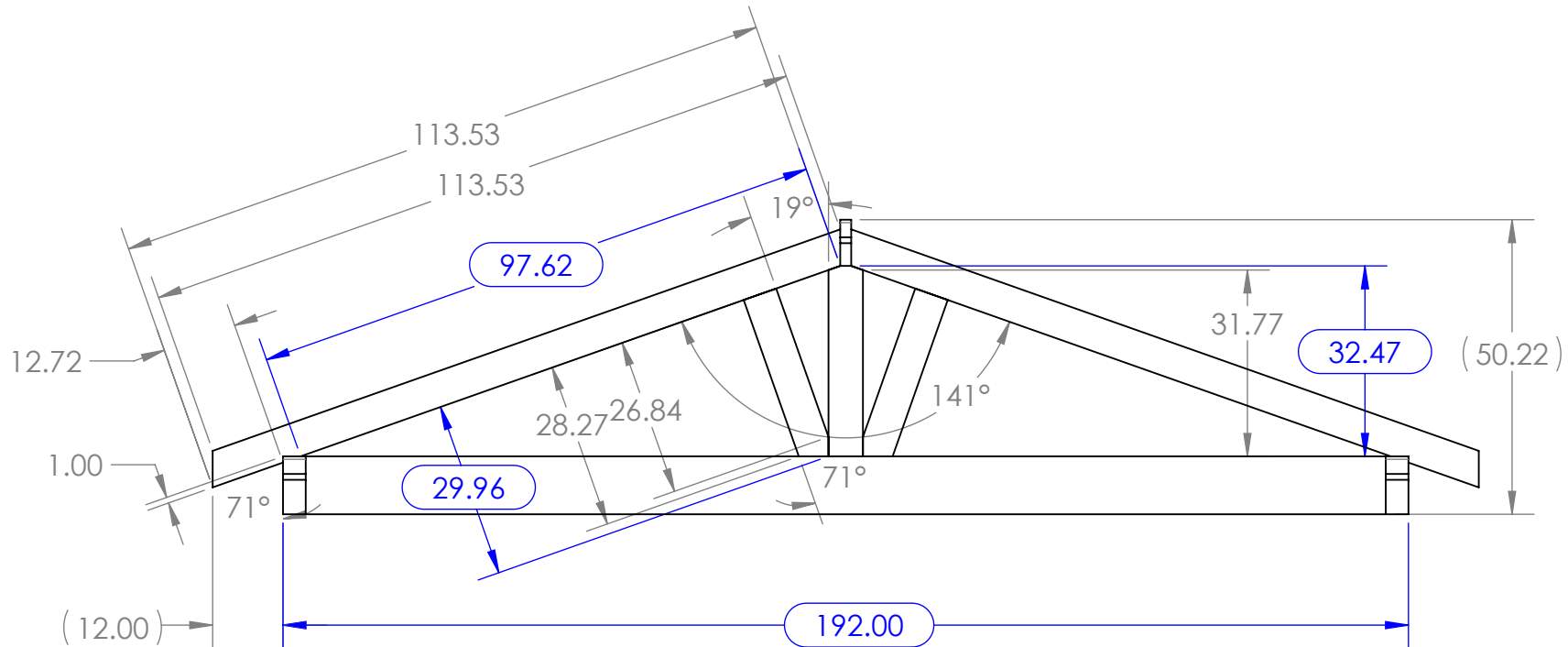
Weight: 255.43 LBS  
 Scale: 1:24  
 Last updated: 1/15/2015

**56642 Truss Base Fan Calculator**

# Truss Construction

## 56642 Truss Base Fan Calculator

### 4:12



Board	Length
Beam	192.00
Rafter	97.62
King Post	32.47
Web Post	29.96

Weight: 285.59 LBS  
 Scale: 1:30  
 Last updated: 1/15/2015

56642 Truss Base Fan Calculator