



**20" HIGH VELOCITY
FLOOR FAN
MODEL HV-20D
OWNER'S MANUAL**



READ AND SAVE THESE INSTRUCTIONS.

ASSEMBLY AND OPERATING INSTRUCTIONS

CAUTION:

Read and follow all instructions before operating fan.
Do not use fan if any part is damaged or missing.

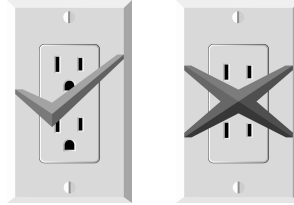
WARNING:

To reduce the risk of fire or electrical shock, do not use this fan with any solid state speed control device.

This appliance has a 3-prong plug.

To reduce the risk of electrical shock, this plug is intended to fit in an outlet only one way.

If this does not fit the outlet, contact a qualified electrician. Do not attempt to bypass this procedure.

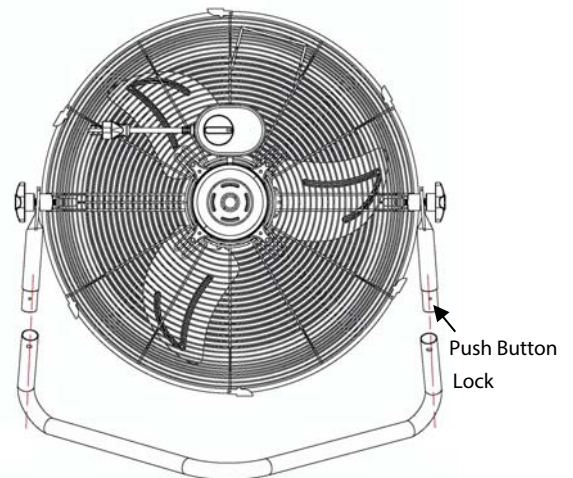


RULES FOR SAFE OPERATION

- Do not insert fingers or any objects through the grille guard when fan is in operation.
- Disconnect fan when moving from one location to another.
- Disconnect the fan when removing grille guards for cleaning.
- Make sure fan is on a stable, flat surface when in operation.
- Do not use fan in windows. Rain and moisture may create the electrical hazard.
- Do not alter the fan's assembly.
- Be sure FRONT and rear GRILLE GUARD are completely in locking position before operation.

TUBE BASE ASSEMBLY INSTRUCTIONS

1. Press push button lock, slide both ends of the V shape tube to the end of fan tube with smaller hole.
2. Align these holes, and Securing with the push button lock. (See figure 1)



OPERATING INSTRUCTIONS

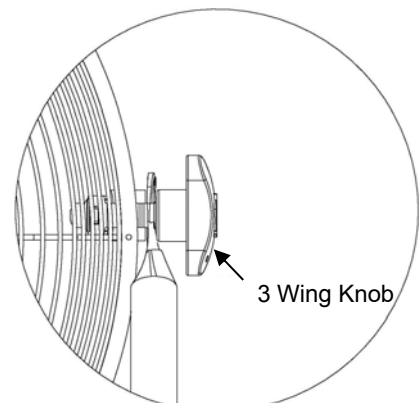
This fan comes fully assembled. No further assembly is needed.

TO ADJUST AIRFLOW UPWARD OR DOWNWARD:

Tilt fan head to the desired angle. The high velocity fan can be used alone or in conjunction with air conditioning.

How To Adjust Tilt

1. Loosen knob by turning counter-clockwise.
2. Adjust fan head to desired tilt.
3. Tighten the knob by turning clockwise.



SPEED CONTROL:

Rotate SPEED SWITCH to LOW (1), MEDIUM (2) AND HIGH (3) speeds for respective air velocity. It is normal for the motor to feel warm to touch after continuous operation.

CLEANING INSTRUCTIONS

WARNING:

Unplug from electrical supply source before cleaning. After servicing, any safety device (including grilles and blades) must be reinstalled or remounted as previously installed:

- Use soft damp cloth to clean. Then wipe with dry cloth.
- Do not use harmful cleaners.
- Do not bend the blades.

WARNING:

This product is not intended for use by persons (including children) with reduced physical, sensory or mental capabilities, or lack of experience and knowledge, unless they have been given supervision or instruction concerning use of the product by a person responsible for their safety. Children should be supervised to ensure that they do not play with the product.

If you have any problems, operation questions or comments about this product, contact us toll free at 1-888-372-8518 8:00 am to 5:00 pm PST or email us at customerservice@orientfanco.com for details.

No.	Part Name	No.	Part Name
1	KNOB	7	FAN BLADE
2	SWITCH BOX	8	FRONT GRILL
3	ON/OFF SWITCH	9	SHORT PIPE
4	SWITCH BOX	10	WAHSER
5	MOTOR	11	PLASTIC TIGHTENER WITH NUT
6	REAR GRILL	12	STAND

