



**30" HIGH VELOCITY
OUTDOOR INDUSTRIAL
WALL/CEILING FAN
MODEL HVOD-30NG**

OWNER'S MANUAL



READ AND SAVE THESE INSTRUCTIONS.

ASSEMBLY AND OPERATING INSTRUCTIONS

CAUTION:

Read and follow all instructions before operating fan.
Do not use fan if any part is damaged or missing.

WARNING:

To reduce the risk of fire or electrical shock, do not use this fan with any solid state speed control device. This appliance has a 3-prong plug. To reduce the risk of electrical shock, this plug is intended to fit in an outlet only one way. If this does not fit the outlet, contact a qualified electrician. Do not attempt to bypass this procedure.

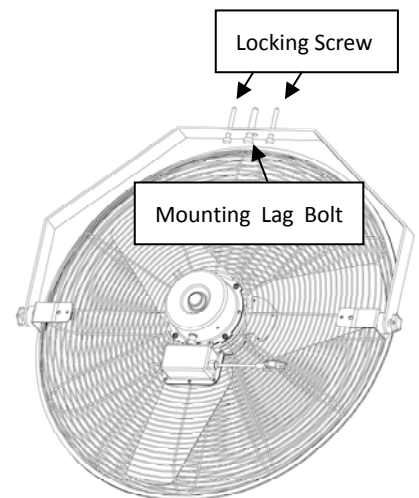
RULES FOR SAFE OPERATION:

- Never insert fingers or any other objects through the grill guard when fan is in operation.
- Unplug the fan before moving from one location to another.
- Unplug the fan before removing guards for cleaning.
- Do not use with an extension cord.
- Do not place fan or any parts near an open flame, cooking appliance, or any other heat source.
- Do not use fan in windows.
- **Only plug fan into GFCI protected receptacles.**

ASSEMBLY INSTRUCTIONS: Wall or Ceiling Mounting – Permanent Mounting Only

1. Locate solid wall stud or ceiling beam. Mark the center of the beam. If you do not have a solid structural framing member at that location then you must provide an adequate alternative for mounting the fan.
2. Drill pilot hole for 3/8" lag bolt.
3. Secure with Proper Hardware, (not included).

NOTE: Only plug fan into a GFCI outlet.

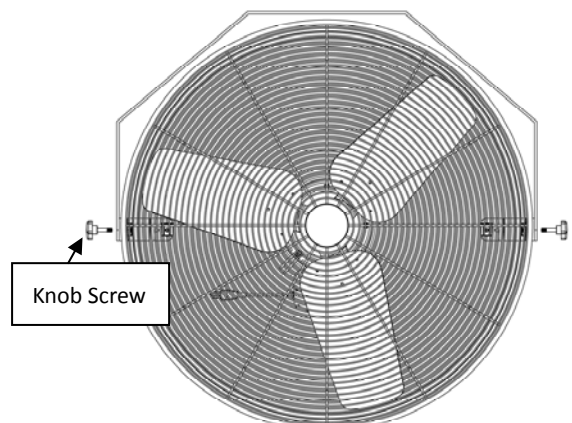


OPERATING INSTRUCTIONS

1. **To Direct Vertical Airflow:** Tilt the fan head up or down to the desired angle and lock in place using securing assist knobs on side of frame.
2. **To direct Horizontal Airflow:** Rotate the fan head right or left to attain the desired directional air flow and Not provided .
3. **Speed Control:** Pull Switch to Low, Medium or High speeds for desired air velocity. It is normal for the motor to feel warm to touch during continuous operation. This fan features a thermostat that will automatically shut off should it overheat for any reason. If this happens, immediately unplug the fan from the outlet.

How To Adjust Tilt

1. Use knob screw to loose by turning counter-clockwise.
2. Adjust fan head to tilt you want.
3. Tightened the knob screw by turning clockwise.



CLEANING INSTRUCTIONS

WARNING:

Unplug from electrical supply source before cleaning. After servicing, any safety device (including grilles and blades) must be reinstalled or remounted as previously installed:

- Use soft damp cloth to clean. Then wipe with dry cloth.
- Do not use harmful cleaners.
- Do not bend the blades.
- The motor bearings are permanently sealed and do not require additional lubrication.

WARNING:

This product is not intended for use by persons (including children) with reduced physical, sensory or mental capabilities, or lack of experience and knowledge, unless they have been given supervision or instruction concerning use of the product by a person responsible for their safety. Children should be supervised to ensure that they do not play with the product.

**If you should have any operation question, contact us toll-free at
1-888-372-8518**

No.	Part Name	No.	Part Name
1	REAR SWITCH BOX	9	NUT BRACKET
2	CABLE HEAD	10	KNOB SCREW
3	POWER CORD	11	WASHER
4	SWITCH	12	ASSEMBLY BASE
5	CAPACITOR	13	REAR GRILL
6	GASKET	14	STEEL WASHER
7	FRONT SWITCH BOX	15	BLADE
8	MOTOR	16	FRONT GRILL

