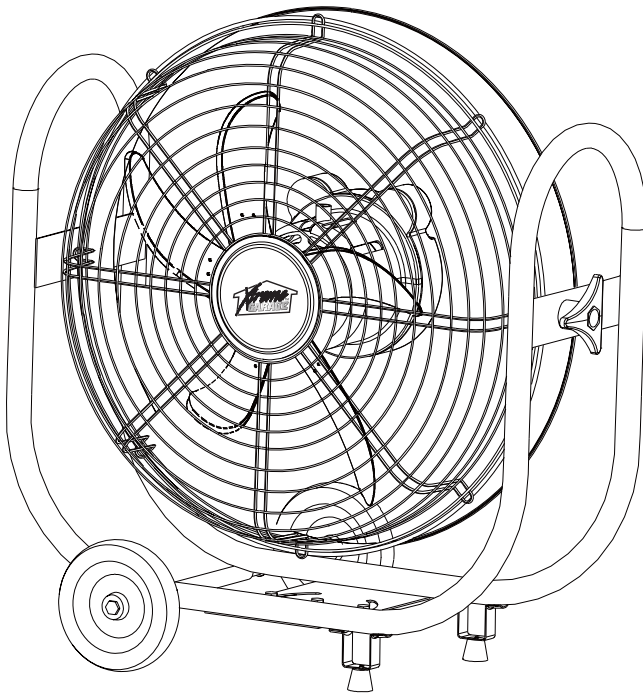




**24" HIGH VELOCITY  
INTERNAL OSCILLATING DRUM FAN  
MODEL HVD-24TS-180  
OWNER'S MANUAL**



**READ & SAVE THESE INSTRUCTIONS**

# ASSEMBLY AND OPERATING INSTRUCTIONS

## **CAUTION:**

Read and follow all instructions before operating fan.  
Do not use fan if any part is damaged or missing.

## **WARNING:**

To reduce the risk of fire or electrical shock, do not use this fan with any solid state speed control device.

This appliance has a 3-prong plug. To reduce the risk of electrical shock, this plug is intended to fit in an outlet only one way. If this does not fit the outlet, contact a qualified electrician. Do not attempt to bypass this procedure.

## **RULES FOR SAFE OPERATION**

- Do not insert fingers or any objects through the grill guard when fan is in operation.
- Disconnect fan when moving from one location to another.
- Disconnect the fan when removing guards for cleaning.
- Make sure fan is on a stable, flat surface when in operation.
- Do not use fan in windows. Rain and moisture may create the electrical hazard.
- Do not alter the fan's assembly.
- Be sure FRONT and rear GUARD are completely in locking position before operation.

## **WHEELS AND RUBBER FEET ASSEMBLY INSTRUCTIONS**

1. Install two wheels (4) to the wheel shaft with two washers (2) and two bushings (3) with two screws (1).
2. Install two rubber feet stands (7) to the fan base tube with two screws (6).
3. Thread two rubber feet (5) to the rubber feet stand (7) Securely.
4. Install two plastic tighteners (8).

## **INSTRUCTIONS FOR MOUNT FAN TO CEILING (hardware not provided)**

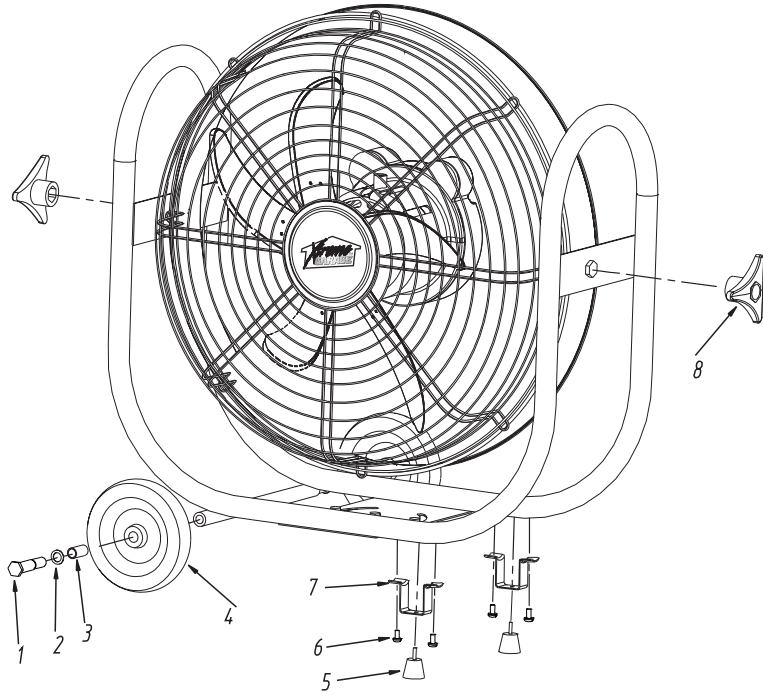
### **WARNING:**

Ensure that fan is mounted on ceiling or beam capable of supporting the fan and suitable hardware is used.

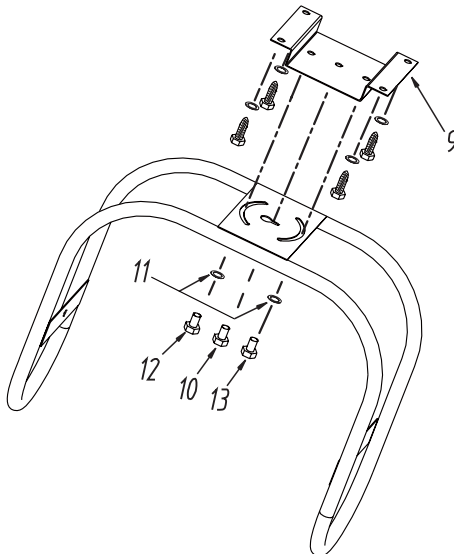
This fan should be installed and mounted by a qualified electrician.

1. Take out mounting bracket (9) and remove three bolts and washers.
2. Mount mounting bracket (9) to ceiling with appropriate hardware (Not Provided). Choose hardware suitable for ceiling / beam style.
3. Thread middle bolt (10) to the mounting bracket (9), use the bolt to locate fan.  
WARNING: Do not rely on this bolt along to hold the fan.
4. Align middle hole on mounting bracket (9) with mounting plate on fan base and insert bolts (12 &13) and flat washers (11) through mounting plate into mounting bracket (9). Thread bolt half way, do not fully tighten.
5. Rotate fan to desired position and install other two bolts (12 &13) and washers (11). Tighten bolts to secure fan.

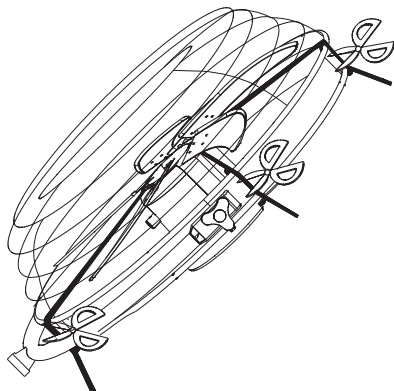
# WHEELS AND RUBBER FEET ASSEMBLY INSTRUCTIONS



# INSTRUCTIONS FOR MOUNT FAN TO CEILING (hardware not provided)



**CUT AND REMOVE** all the protective plastic ties from the fan blade with scissors or cutters.



## **OPERATION INSTRUCTIONS**

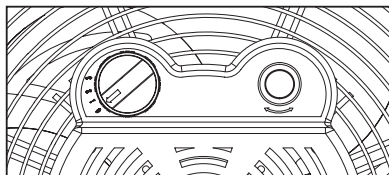
### **TO ADJUST AIRFLOW UPWARD OR DOWNWARD:**

Directly tilt the fan to the desired angle and tighten two plastic tighteners.

**NOTE:** Keep the plastic tighteners for future use.

### **SPEED CONTROL:**

Rotate switch on the motor assembly to the desired setting – Low (1), Medium (2) or High (3).



### **ADJUSTING OSCILLATION FEATURE:**

The internal oscillation feature can be turned on by setting the RED switch on the motor to ON (1) position. To disengage the oscillation feature, push the RED switch to the OFF (0) position.

## **CLEANING INSTRUCTIONS**

### **WARNING:**

Unplug from electrical supply source before cleaning. After servicing, any safety device (including grilles and blades) must be reinstalled or remounted as previously installed. Use soft damp cloth, then wipe with dry cloth. Do not use harmful cleaners. Do not bend the blades.

### **WARNING:**

This product is not intended for use by persons (including children) with reduced physical, sensory or mental capabilities, or lack of experience and knowledge, unless they have been given supervision or instruction concerning use of the product by a person responsible for their safety. Children should be supervised to ensure that they do not play with the product.

If you have any problems, operation questions or comments about this product, contact us toll free at 1-888-372-8518 or email us at [customerservice@orientfanco.com](mailto:customerservice@orientfanco.com) for details.