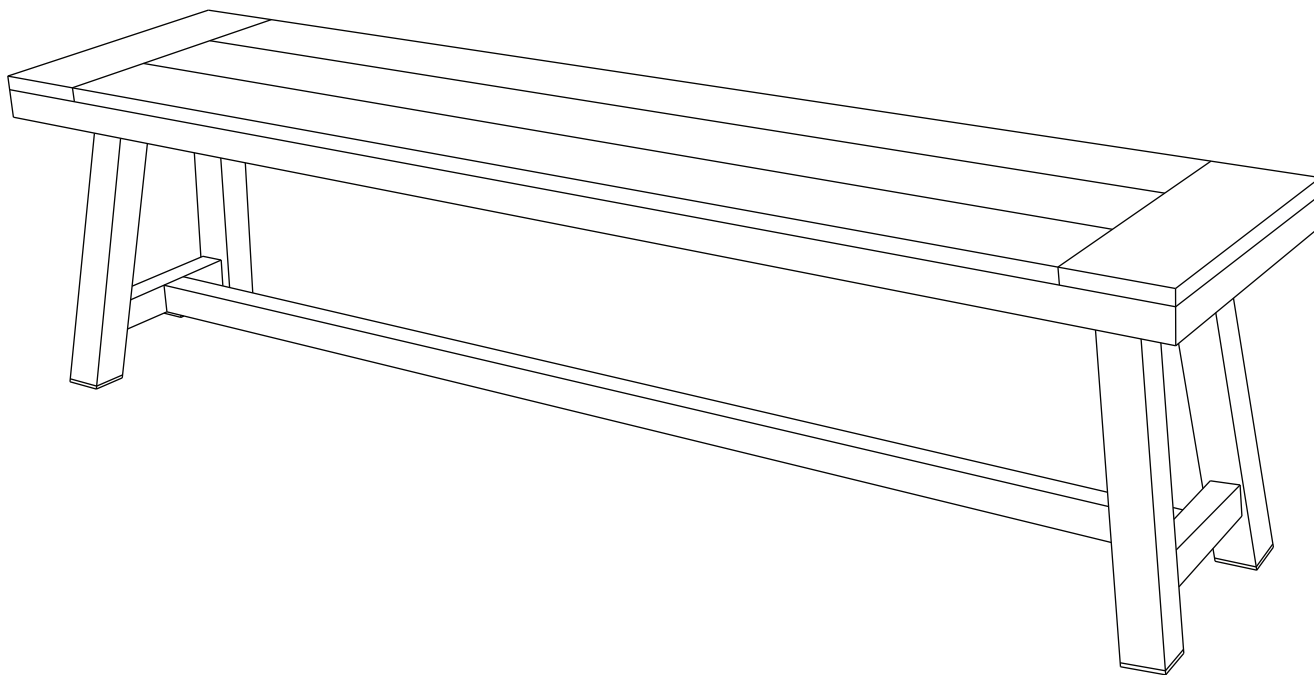


BACKYARD
Creations®

Atkins Wood Bench 2pk

SKU # 272-0884



Questions or Missing Parts Please call
1-888-243-9985 between 8:30 am to 5:00 pm EST
Or email: service@merryproducts.com

Made in Vietnam

Table of Contents

Table of Contents	2	Pre-Assembly	3-4
Safety Information	2	Hardware Included	3
Warranty	2	Package Contents	4
1 Year Frame Limited Warranty	2	Assembly	5-6
What Is Covered	2		
What Is Not Covered	2		
Care Instructions	2		

Safety Information



DANGER: Please keep children out of the assembly area during assembly.



CAUTION: Use the bench on flat ground only.



WARNING: Do not stand on the bench.

Warranty

ONE YEAR LIMITED WARRANTY

WHAT IS COVERED

Benches are warranted to the original purchase to be free from defects in material or workmanship for a period of one year from the date of original retail purchase. The word “defects” is defined as imperfection that impairs the use of the products. Defects resulting from misuse, abuse or customer negligence will void this warranty.

WHAT IS NOT COVERED

This Warranty does not cover commercial use, hardware, act of nature, fire, freezing and abusive use. This warranty does not cover defects due to alteration of accident. This warranty does not cover scratching, scuffing or other cosmetic damage that may result from normal use of the product. If the product is defective within the term of this warranty, Merry Products, Inc. will repair defective parts at no cost to the purchaser. Shipping charges are not covered and are the responsibility of the purchaser.

Care Instructions

The bench should be stationed on a level surface and kept away from extreme heat and strong oxidizing agents. Never use petroleum or oil based products such as solvents or harsh cleaners to clean the material.

To clean material, wipe surface with a damp cloth or simply spraying with a garden hose should be adequate. If needed mild soap or dish detergent can be used to help remove caked-on dirt. It is highly recommended that you treat the Atkins Wood Bench twice per year with a weather proof coating, to increase the life expectancy and maintain the look of the product. It is recommended to use a cover when the table is not in-use. Natural color changes such as fading or silvering on outdoor wood furniture is unavoidable and is not covered under the warranty. Store table in a dry place during winter months.

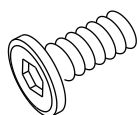
You may contact our customer service department with any questions by phone at 1-888-243-9985 or email us at service@merryproducts.com

Pre - Assembly

HARDWARE INCLUDED



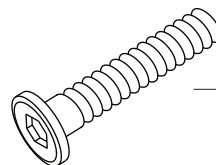
NOTE: Hardware not shown to actual size.



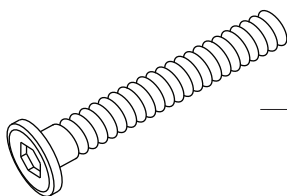
_____ A



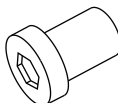
_____ B



_____ C



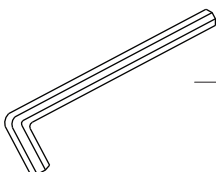
_____ D



_____ E



_____ F

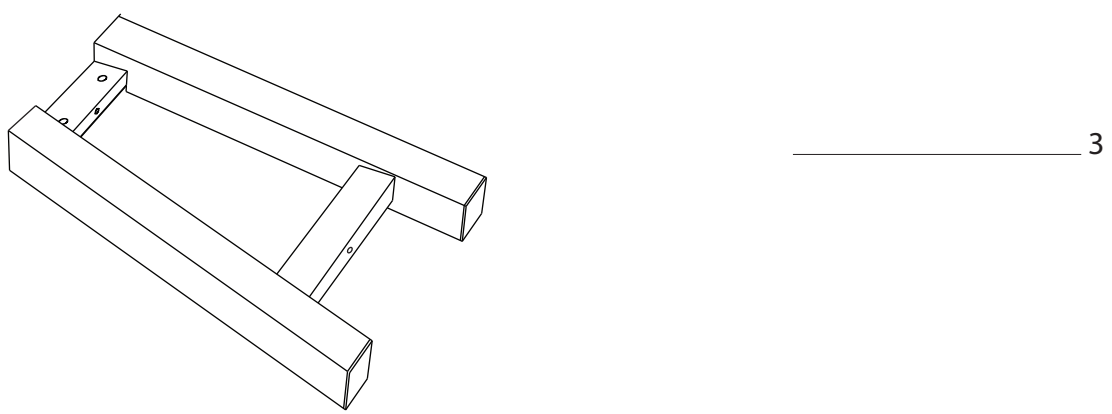
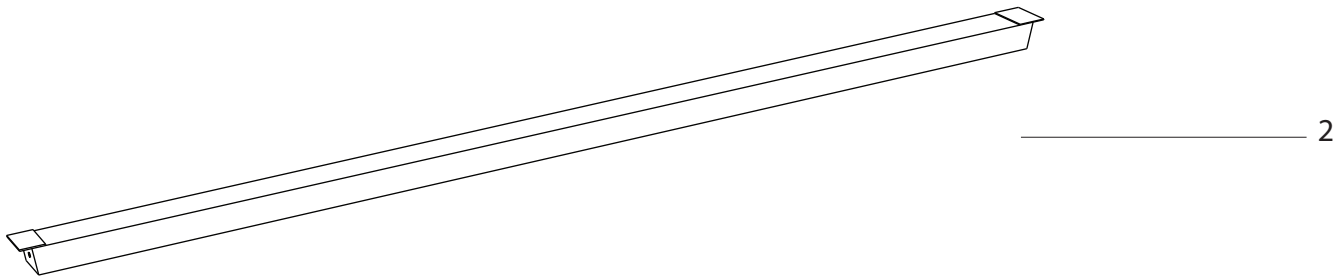
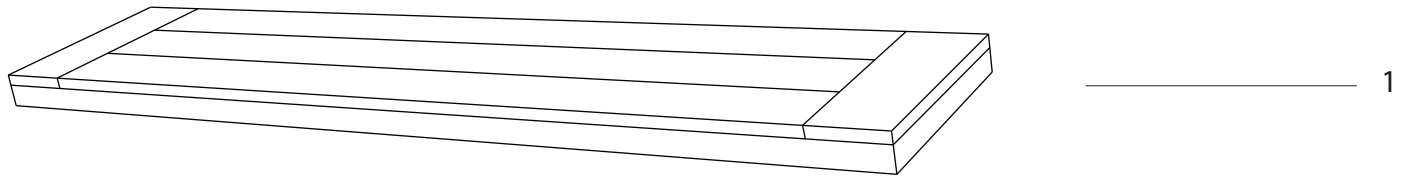


_____ G

Part	Description	Quantity	Part	Description	Quantity
A	Short Bolt (M8x20mm)	4	F	Small Flat Washers (M6x1mm)	12
B	Big Flat Washers (M8x2mm)	4	G	Allen Key	2
C	Middle Bolts (M6x40mm)	8			
D	Long Bolts (M6x55mm)	4			
E	Sleeve Nuts (M6x18mm)	8			

Pre - Assembly (continued)

PACKAGE CONTENTS

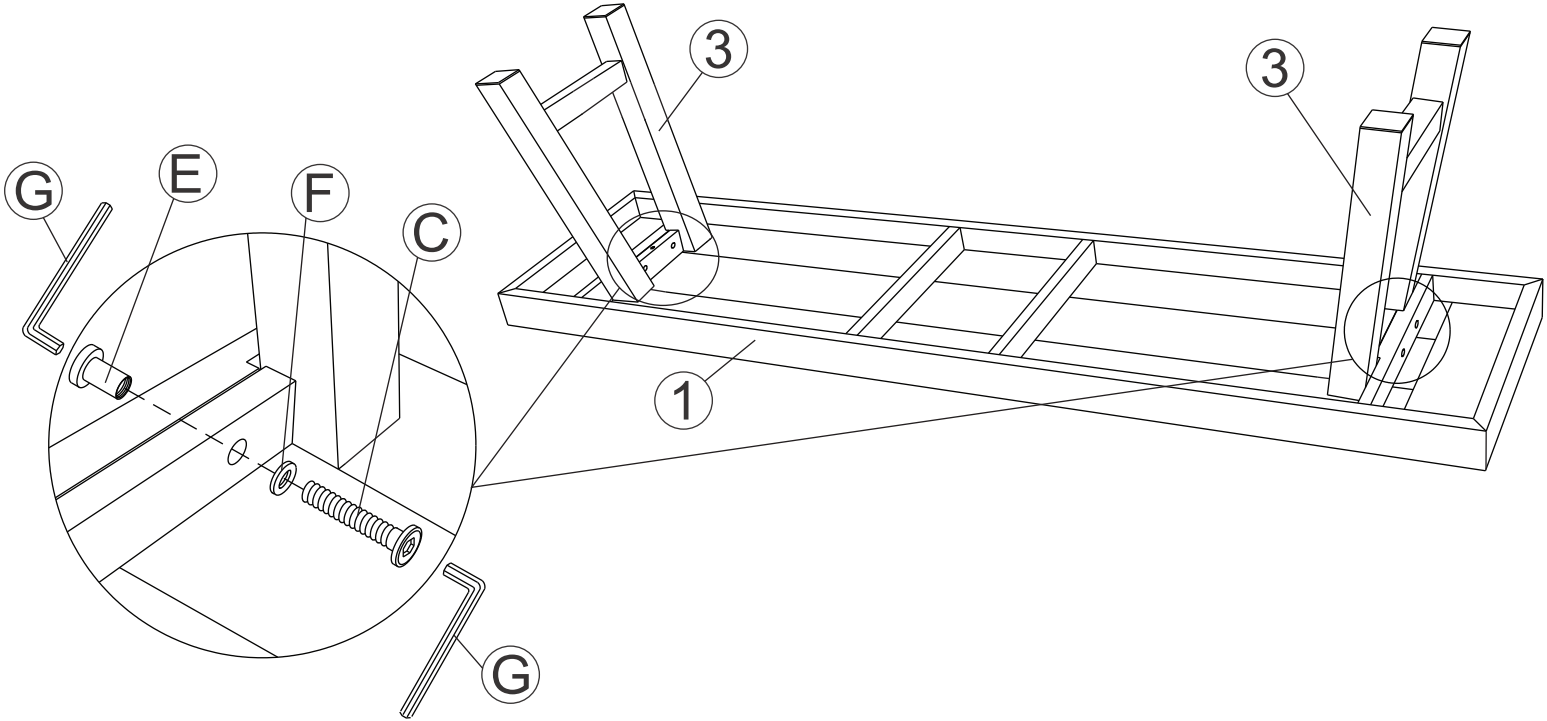


***Note: DO NOT TIGHTEN ANY BOLTS BEFORE THE UNIT IS PUT TOGETHER.**

Part	Description	Quantity
1	Seat	2
2	Leg Connector	2
3	Leg	4

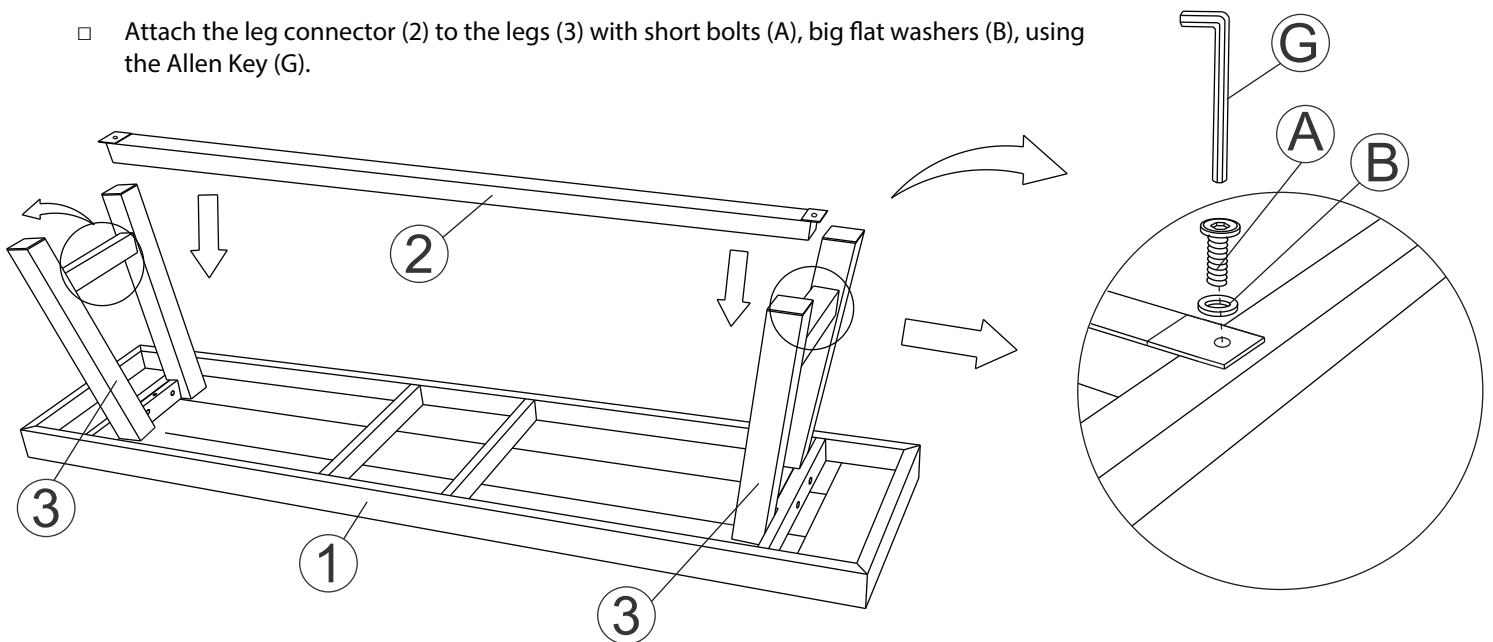
1 Attaching the legs to the seat

- Attach the legs (3) to the seat (1) with sleeve nuts (E), small flat washers (F), middle bolts (C), with the Allen Keys (G).



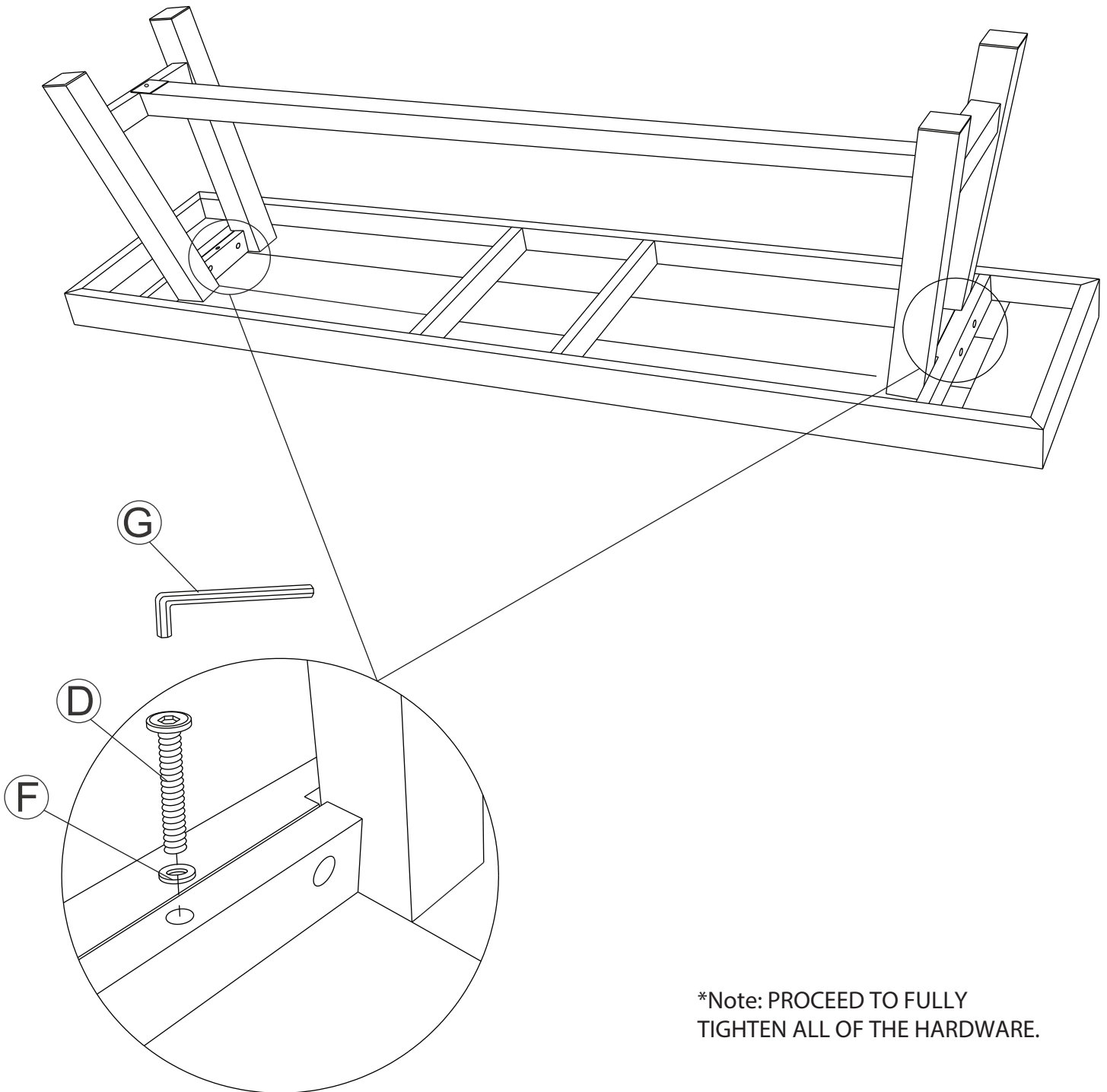
2 Attaching the leg connector to the legs

- Attach the leg connector (2) to the legs (3) with short bolts (A), big flat washers (B), using the Allen Key (G).



3 Attaching the legs to the seat - continued

- Attach the legs (3) to the seat (1) with long bolts (D), small flat washers (F), using the Allen Key (G).



*Note: PROCEED TO FULLY TIGHTEN ALL OF THE HARDWARE.