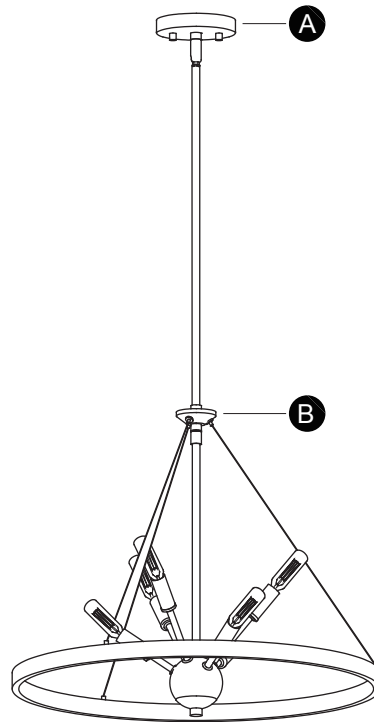




Questions, problems, missing parts?

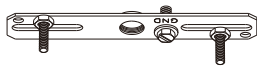
Before returning to your retailer, call our customer service at 1-800-887-6326
Monday – Friday 9:00 a.m. – 5:00 p.m. CST

PACKAGE CONTENTS



HARDWARE CONTENTS Note: Hardware not shown actual size.

AA



Mounting Strap Unit
X1

BB



Mounting Screw
X2

CC



Wire Connector
X3

DD



Bolt Nut
X2

SAFETY INFORMATION

Please read and understand this entire manual before attempting to assemble, operate or install the product.

WARNING

- Turn off electricity at main fuse box (or circuit breaker box) before beginning installation by removing fuse (or switching off circuit breaker).
- Be careful not to damage or cut the wire insulation (covering) during fixture installation. Do not permit wires to contact any surface having a sharp edge. To do so may damage or cut the wire insulation, which could cause serious injury or death from electric shock.

CAUTION

- All electrical connections must be in agreement with local codes, ordinances or the national electric code (NEC). Contact your municipal building department to learn about your local codes, permits and/or inspections.
- Risk of fire – most dwellings built before 1985 have supply wire rated for 140°F/60°C. Consult a qualified electrician before installation.
- Do not connect this fixture to an electrical system that does not provide a means for equipment grounding. Never use a fixture in a two-wire system that is not grounded. If you are not sure your lighting system has a grounding means, do not attempt to install this fixture. Contact a qualified, licensed electrician for information with regards to proper grounding methods as required by the local electrical code in your area.

PREPARATION

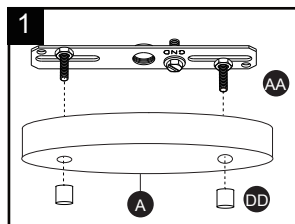
Before beginning assembly, installation or operation of product, make sure all parts are present. Compare parts with package contents list and diagram on previous page. If any part is missing or damaged, do not attempt to assemble, install or operate the product. Contact customer service for replacement parts.

Tools Required for Assembly (not included): Slotted Screwdriver, Phillips Screwdriver, Pliers, Electrical Tape, Wire Cutters, Safety Glasses, Ladder, Wire Stripper.

ASSEMBLY INSTRUCTIONS

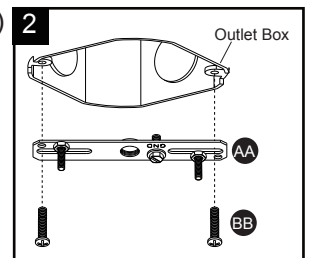
Turn off the power at the fuse or circuit box.

1. Unscrew the bolt nuts (DD), remove the mounting strap unit (AA) from the canopy (A).



2. Attach mounting strap unit (AA) to outlet box by using two mounting screws (BB).

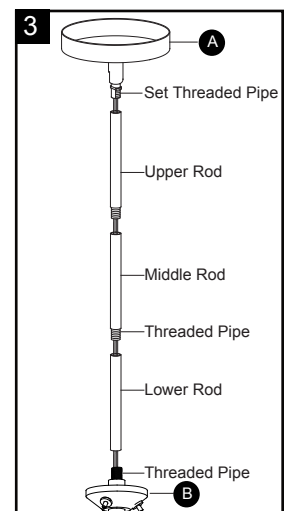
Note: The depth of threaded pipe on the mounting strap unit (AA) may need to be adjusted to properly fit the fixture.



3. Rod Connections:

- a. Thread the fixture wire through the lower rod, then secure the lower rod onto fixture (B) using the threaded pipe.
- b. Thread the fixture wire through the middle rod and then secure the middle rod onto the lower rod using the threaded pipe.
- c. Thread the fixture wire through the upper rod, then secure the upper rod onto the middle rod using the threaded pipe.
- d. Thread the fixture wire through the canopy (A), then secure the rod assembly to the set threaded pipe of the canopy (A).

Note: Length adjustable from 19-3/4" to 55-3/4". Use fewer rods if shorter length is desired.

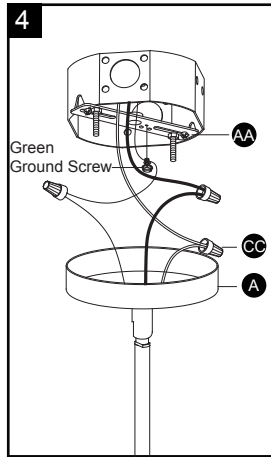


ASSEMBLY INSTRUCTIONS (continued)

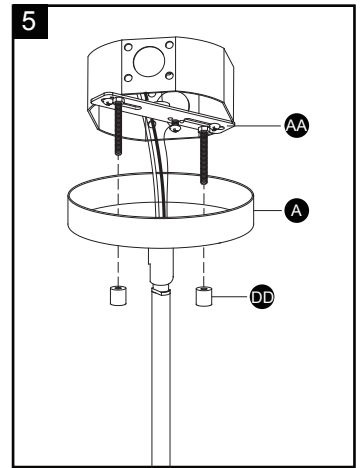
4. Pull out the source wires from the outlet box, make wire connections using wire connectors (CC) as follows:

- Connect the black (hot) wire from the fixture to the black (hot) wire from the power source.
- Connect the white (neutral) wire from the fixture to the white (neutral) wire from the power source.
- Attach the fixture ground wire (bare wire) to the mounting strap unit (AA) with the green ground screw, then connect fixture ground wire to the house ground wire with a wire connector (CC).

Carefully put the wires back into the outlet box.

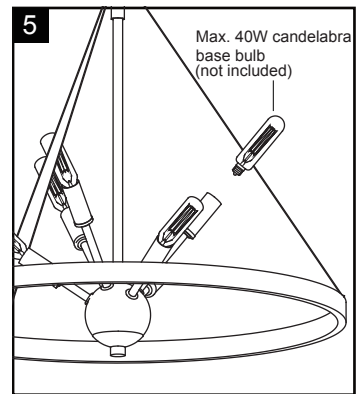


5. Attach the canopy (A) to the mounting strap unit (AA), then secure the canopy (A) with two bolt nuts (DD).



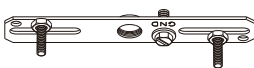
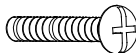
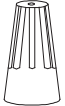

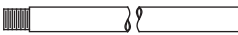

6. Install Max. 6 X 40W candelabra base bulbs (not included).

See replacement lamp label at socket area or packaging for maximum wattage allowed.



The following parts are available for reorder if damaged or missing. Call our toll free at 1-800-887-6326.

Spare Parts List:

AA		Mounting Strap Unit X1	BB		Mounting Screw X2	➔ Assembly Kit 6691MM (1 SET)
CC		Wire Connector X3	DD		Bolt Nut X2	
		12" ROD 3330RD			6" ROD 3331RD	

CARE AND MAINTENANCE

- To clean, turn off and wipe with a damp, non-abrasive cloth.

TROUBLESHOOTING

1) The light does not work:

- a) Make sure the wall switch and circuit breaker are on.
- b) Make sure the wiring is correct.

2) Fuse blows or circuit trips when light is turned on.

Check for crossed wires, ensure wiring is correct.

If unable to fix any of the above issues, please consult a certified electrician.

FIVE-YEAR LIMITED WARRANTY: If, during normal use, this PATRIOT LIGHTING® lighting fixture breaks or fails due to a defect in material workmanship within five (5) years from the date of original purchase, simply bring this lighting fixture with the original sales receipt back to your nearest MENARDS® retail store. At its discretion, PATRIOT LIGHTING® agrees to have the product or any defective part(s) repaired or replaced with the same or similar PATRIOT LIGHTING® product or part free of charge, within the stated warranty period, when returned by the original purchaser with original sales receipt. This warranty; (1) excludes expendable parts including but not limited to light bulbs; (2) does not cover damage that has resulted from abuse or misuse; and (3) does not cover any losses, labor, injuries to persons/property or costs. This warranty does give you specific legal rights and you may have other rights, which vary from state to state.



Questions, problems, missing parts?

Before returning to your retailer, call our customer service at 1-800-887-6326
Monday – Friday 9:00 a.m. – 5:00 p.m. CST