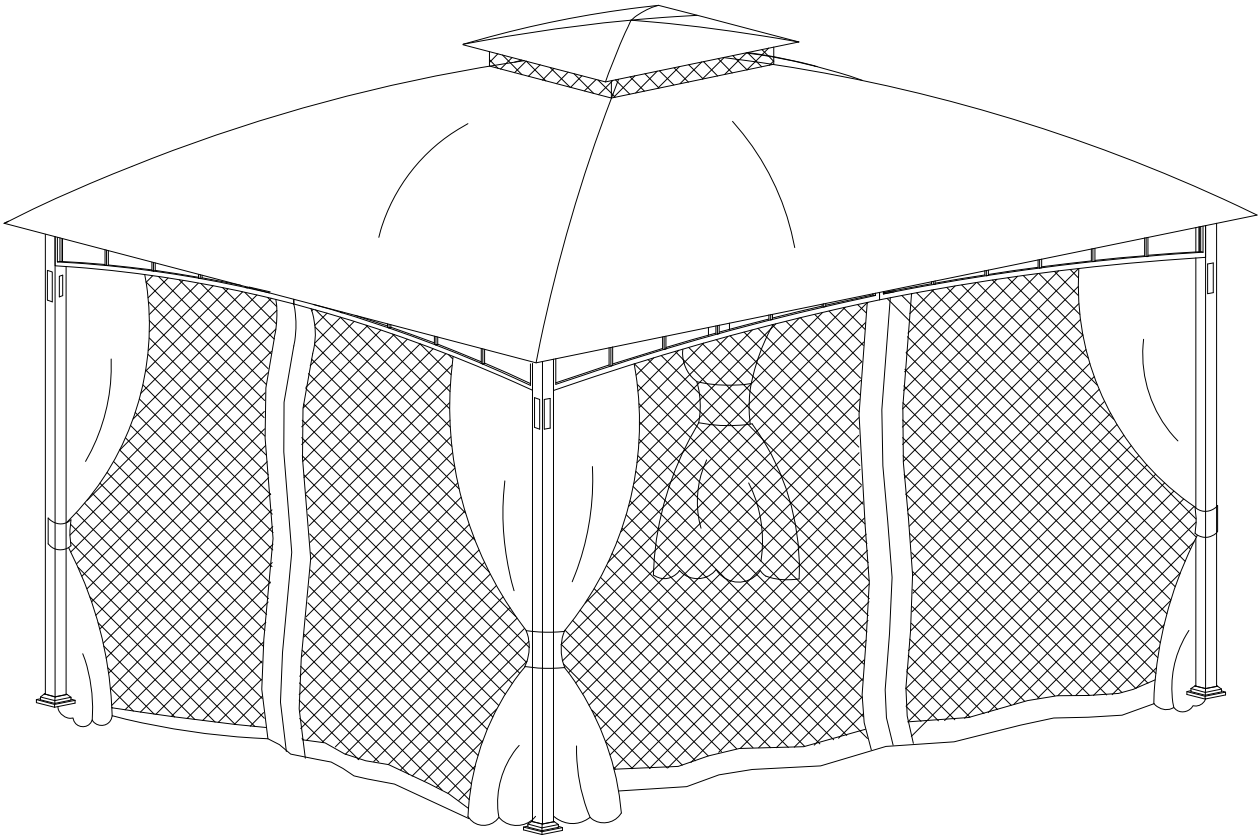


MODEL: IG10600084



OWNER'S MANUAL

11'x13' Soft Top Gazebo w/LED lighting and Bluetooth Speaker

TABLE OF CONTENTS

ASSEMBLY GUIDE.....02
USING YOUR PRODUCT.....06

September 7, 2024

QUESTIONS?



E-mail: support@modernshade.org


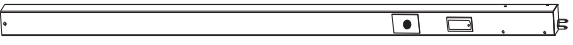



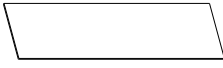
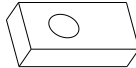
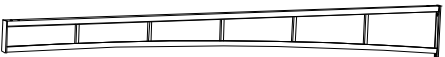
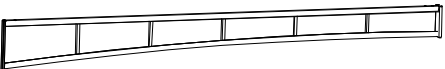

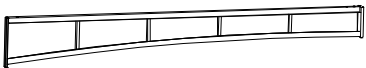






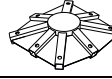
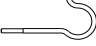





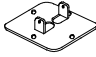
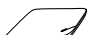





Toll Free: 1-888-666-3070







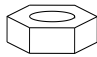

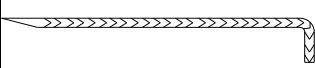
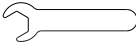
Mon-Fri: 9:00 --17:00 PST.

Parts List

Description	Label	Part#	Qty	Image
Post 5	A5	P00020058401	2	
Post 6	A6	P00020058501	1	
Post 7	A7	P00020058601	1	
LED light 1 (preassemble)	A-1	P007600078	2	
LED light 2 (preassemble)	A-4	P007600080	2	
LED light panel cover (preassemble)	A-2	P007600077	8	
Bluetooth (preassemble)	A-3	P007600079	1	
Long Left Crossbeam	B3	P000400841	2	
Long Right Crossbeam	B4	P000400840	2	
Short Side Left Beam	C3	P000400843	2	
Short Side Right Beam	C4	P000400842	2	
Oblique Beam	D3	P00060193101	4	
Oblique Beam Bottom Tube	D4	P00060193201	4	
Long Middle Beam	E5	P00060193301	2	
Middle Beam Bottom Tube	E6	P00060205602	2	
Short Middle Beam	F5	P00060193401	2	
Middle Beam Connector	G	P000501105	4	
Big Top Connector	I	P000501106	1	
Hook	M	P005800001	1	
Long Mosquito Netting Bar	N	P005700621	4	

Description	Label	Part#	Qty	Image
Short Mosquito Netting Bar	O	P005700622	4	
Base Cover	P	P006100158	4	
Base	Q	P000100310	4	
Small Canopy	R	P00110067101	1	
Big Canopy	S	P00110067201	1	
Mosquito Netting	T	P001200201	1	
Curtain	U	P001300099	1	
Adapter Charge	V	P007600064	1	
Adjustable Tube	W	P005700620	4	

Hardware Pack 1

Label	Description	Part#	Qty	Image
AA	M6*15 bolt	H100010068	32 PCS	
BB	M6*20 bolt	H100010047	16 PCS	
CC	M6*35 bolt	H100010069	8PCS	
DD	M6 Flat washer	H050030001	8PCS	
EE	M6 Nut	H040010004	8PCS	
GG	Black Plastic Ring	P005100264	104PCS	
HH	∅ 6X230 Stake	H070010001	16PCS	
Z	Wrench M6	H090010017	2 PCS	

IMPORTANT:

This instruction manual contains important information necessary for the proper assembly and safe use of the product.

Read and follow all warnings and instructions before assembling and using the product.

Follow all warnings and instructions when using the product.

Keep this manual for future reference.

Installer/Assembler: leave these instructions with the consumer.

SAFETY ALERT KEY**⚠ DANGER**

Indicates a hazardous situation that, if not avoided, will result in death or serious injury.

⚠ CAUTION

Indicates a hazardous situation that, if not avoided, could result in minor or moderate injury.

⚠ WARNING

Indicates a hazardous situation that, if not avoided, could result in death or serious injury.

NOTICE

Indicates information considered important, but not hazard-related (e.g. messages related to property damage).

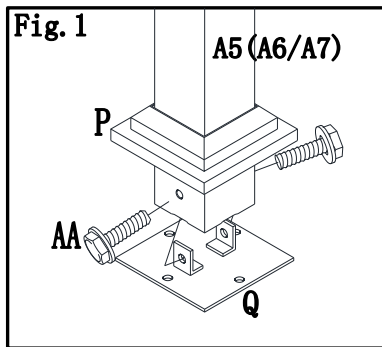
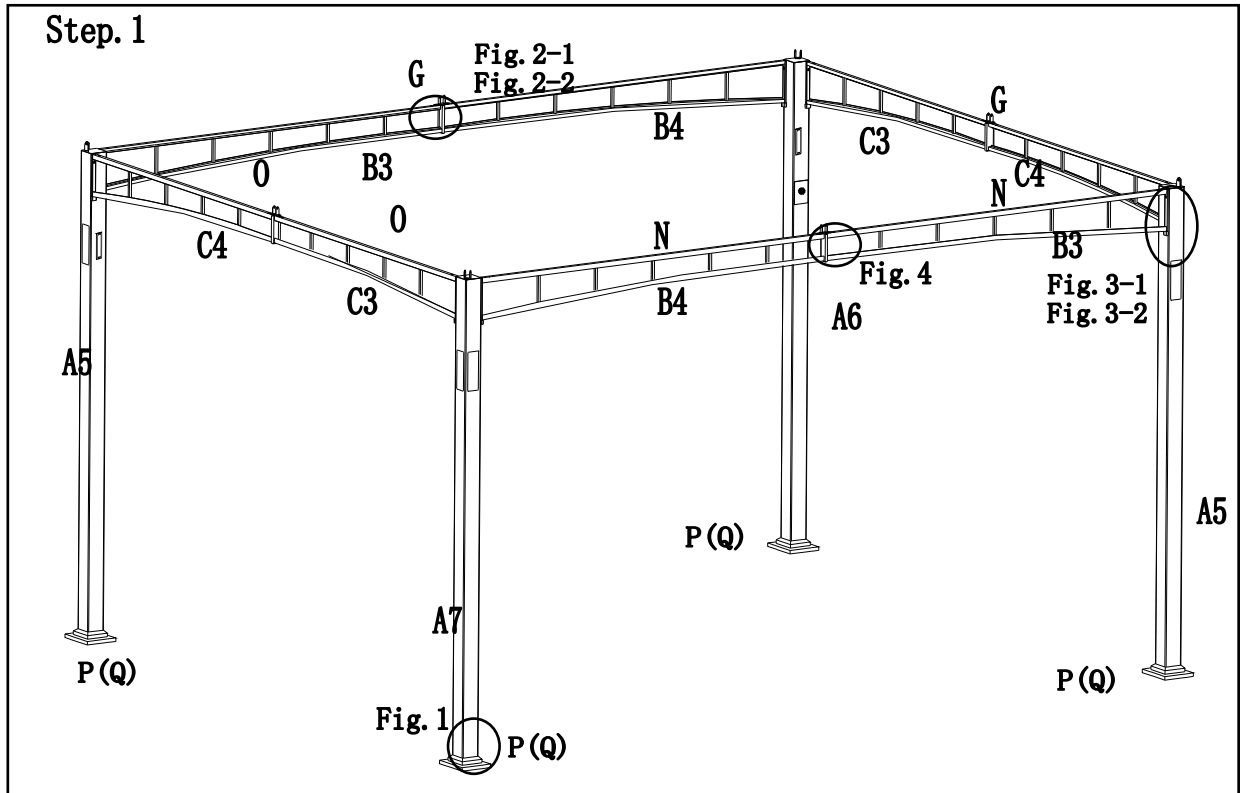


Fig.1: Put base cover(P) into post(A5/A6/A7), then attach base(Q) to post(A5/A6/A7) by screw(AA).

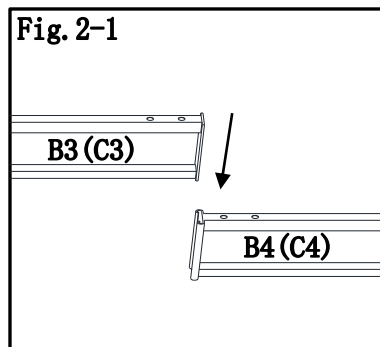


Fig.2-1: Insert long left Crossbeam (B3) into long right Crossbeam(B4); Same way insert short side left beam (C3) into short right side beam(C4).

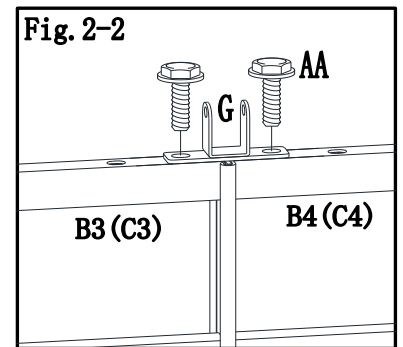


Fig.2-2: Attach middle beam connector(G) to across beam(B3/C3/B4/C4) to the across beam by using bolt(AA).

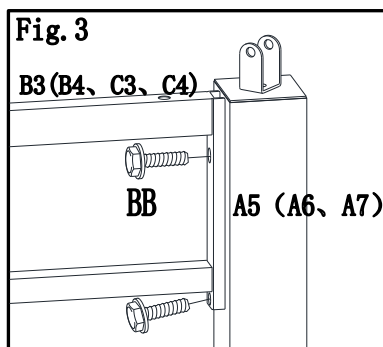


Fig.3: Fix the assembled across beam(B3/C3/B4/C4)to post(A5/A6/A7) by using Bolt(BB) .

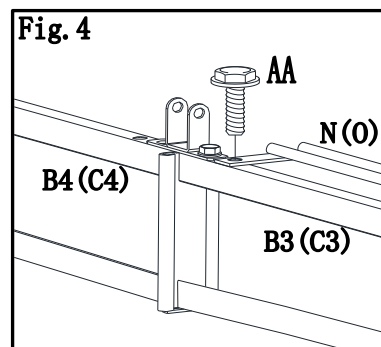


Fig.4: Attach mosquito Netting Bar(N/O) to across beam (B3/C3/B4/C4)by using bolt(AA).

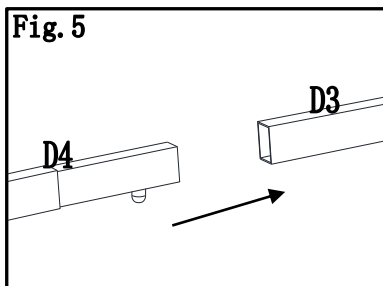
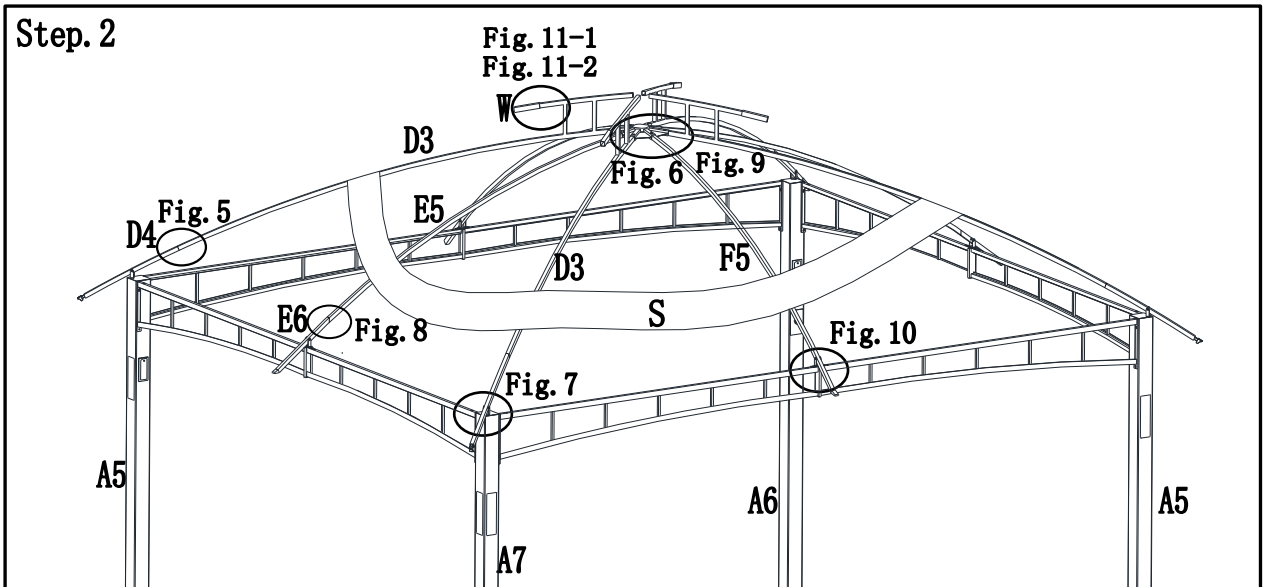


Fig.5: Insert sloping beam bottom end (D4) into sloping beam upper end (D3) .

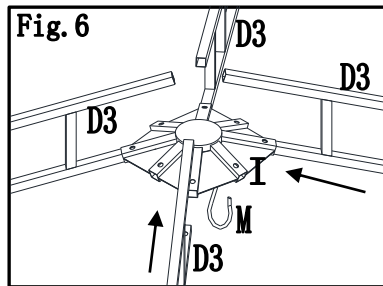


Fig.6: insert sloping beam upper end(D3) into big top connector(I), attach hook (M) to big top connector (I) .

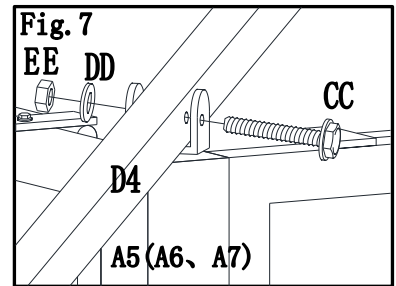


Fig.7: Fix Oblique Beam(D4) to top of post(A5/A6/A7) by using bolt(CC),flat washer (DD) and nut(EE).

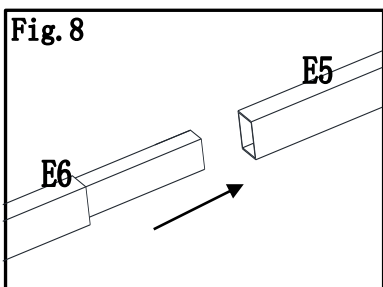


Fig.8: Insert middle beam bottom tube(E6) into long middlebeam(E5).

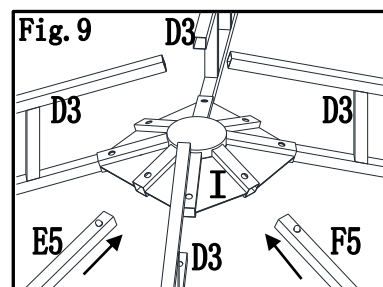


Fig.9: Attach top end of middle beam(F5,E5) to big top connector(I).

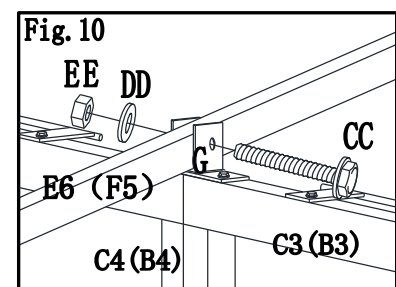


Fig.10: Fix middle beam bottom end(F5,E6) to middle beam down connector(G) by using bolt(CC), flat washer(DD) and Nut(EE).

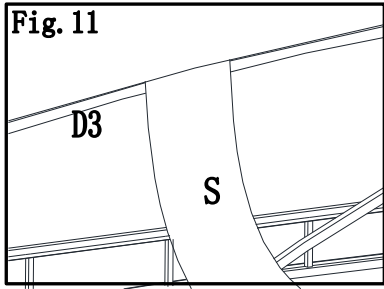


Fig.11: Put the big top cloth (S) on the big top, but don't assemble it first.

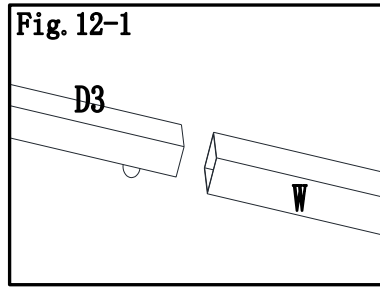


Fig.12-1: Attach adjustable tube(W) to sloping beam upper tube bottom end(D3).

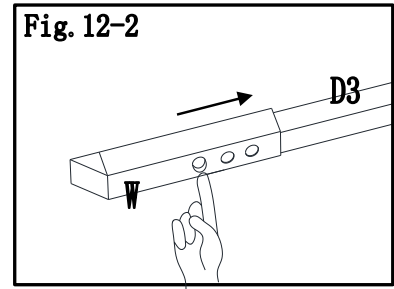


Fig.12-2: Assemble the adjusting tube (W) to the large top inclined beam (D3).

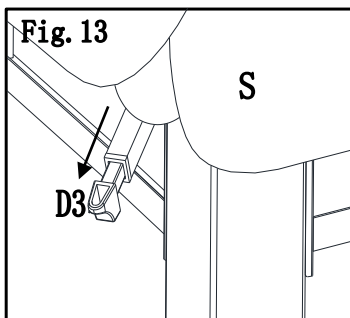
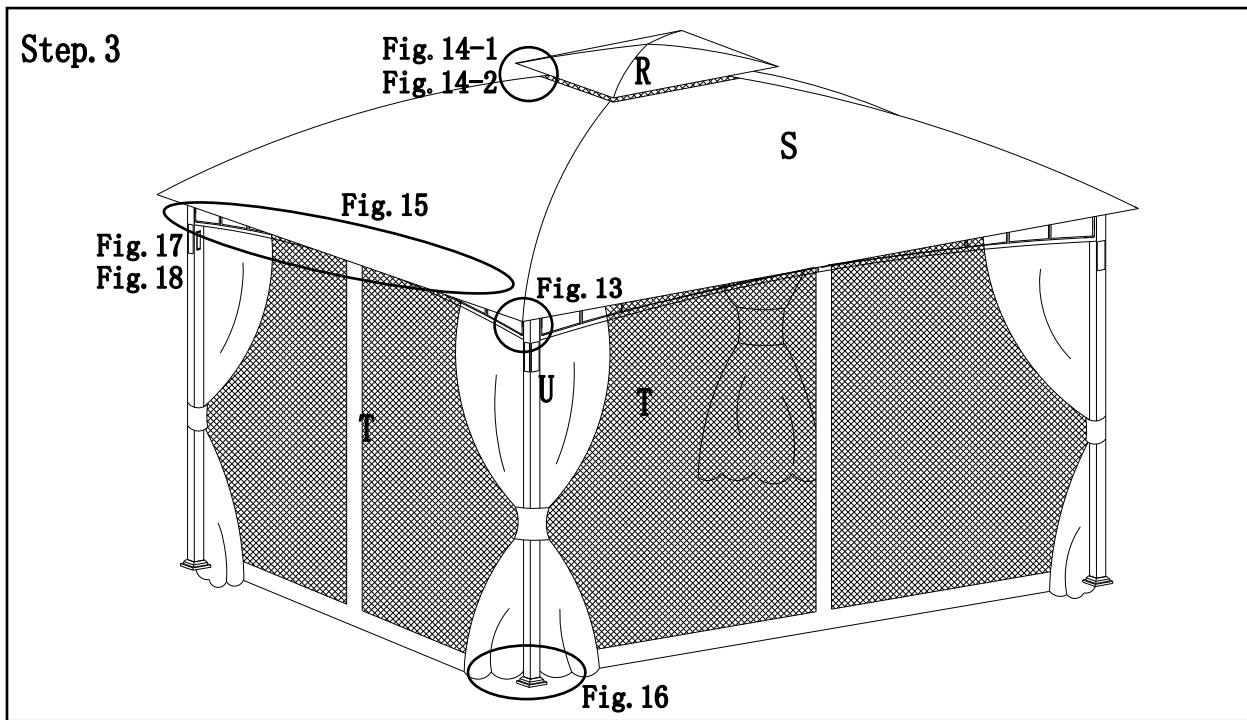


Fig.13: Fix big canopy corner to Oblique Beam(D3).

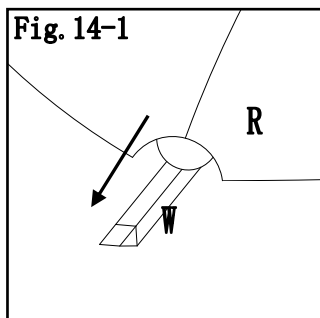


Fig.14-1: Put small canopy(S) on small top frame, Fix small canopy corner to adjustable tube (W) .

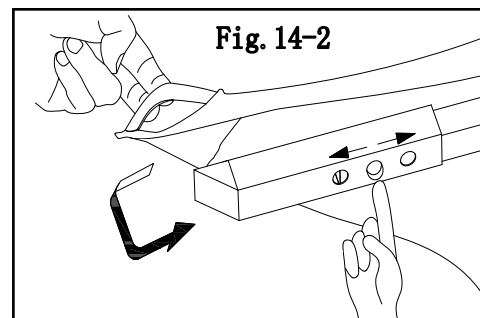


Fig.14-2: Adjust tube length (W) till canopy tight

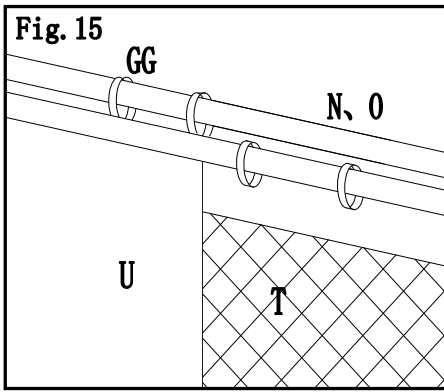


Fig.15: Put mosquito netting (T) and curtain (U) onto long mosquito netting rod (N) and short mosquito netting rod (O) by plastic ring (GG).

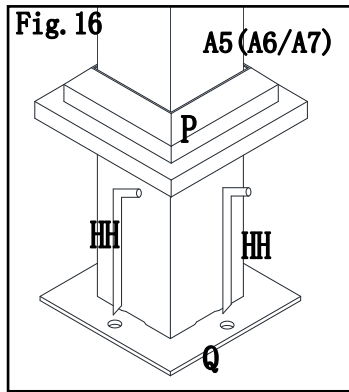


Fig.16: Lift up base cover (P), secure the whole gazebo to the lawn by stake (HH).

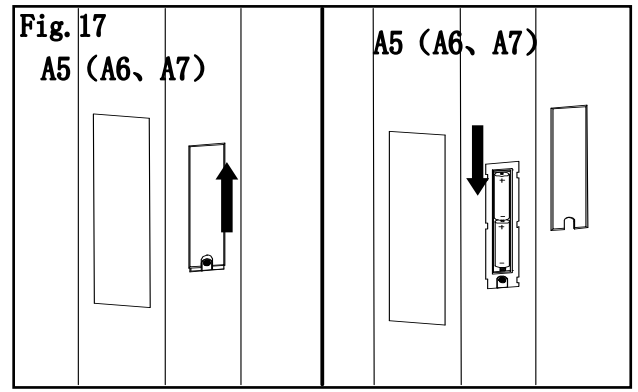


Fig.17: Remove battery holder cover, insert two (AA) battery, (**Note: to purchase "AA" battery**) then place cover on battery holder. Press the switch to control the light on and off.

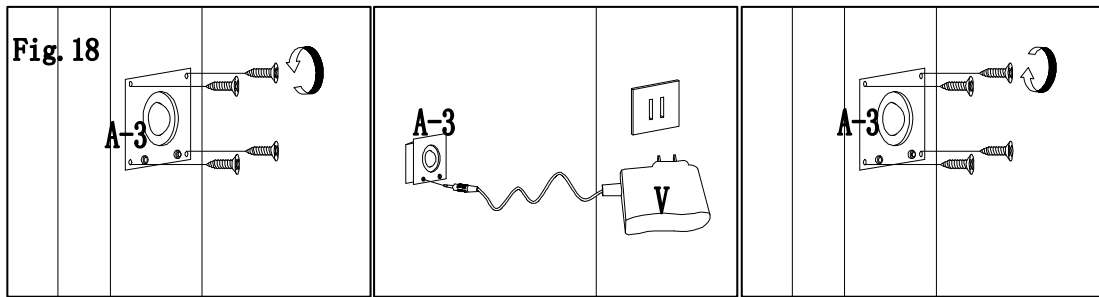


Fig.18: Bluetooth audio use: turn on the power switch of Bluetooth audio (arrow pointing to the location, there will be a tone after opening), the power is turned on, then open the blue tooth device with Bluetooth function to match and use Bluetooth audio. Turn off the switch of Bluetooth audio after using the Bluetooth audio.

Bluetooth audio charging: When the power of the Bluetooth audio (A-3) is too low, remove the four screws, take out the Bluetooth audio (A-3), connect the charger (V) to the power supply, and the other end Insert into the charging hole of the Bluetooth (A-3) for charging. After the charging is completed, put the Bluetooth (A-3) back on the post and lock it with the screw.

Replacement of LED light and the light panel cover

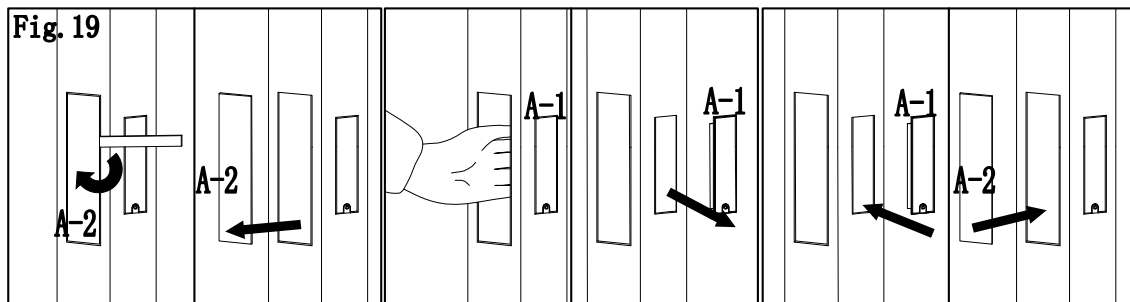


Fig.19: If the LED light or panel cover is old or damaged and need to be replaced, pry off the panel cover (A-2) along the gap between the panel and post with a thin film or simial tool, then replace the LED light (A-1) and put the panel cover on.

⚠ CAUTION

DO NOT climb or walk on roof for any reason.

- Our components are intended for privacy, decorative and ornamental use only.
- Product is NOT INTENDED for the following:
 - As a safety barrier to prevent unsupervised access to pools, hot tubs, spas or ponds.
 - As load bearing support for a building, structure, heavy objects or swings.
 - Used in structures that trap wind, rain or snow that would create extra load on the product.
 - Accumulated snow must be removed from roof.
 - DO NOT climb or walk on roof for any reason.

LIMITED WARRANTY

We warrants this product against defects in materials and workmanship for a period of one (1) year from the original date of purchase. To the extent any such defects occur, our products will send the appropriate replacement part(s) at no charge.

This warranty does not cover:

- Inspection costs or labor for replacement of any defective parts);
- Incidental or consequential damages;
- Cosmetic defects which DO NOT affect performance;
- Normal wear and tear;
- Damage due to vandalism; acts of nature, including but not limited to wind, storms, hail, floods;
- Improper assembly, installation, or use;
- Discoloration or fading of the finish as a result of exposure to chemicals, spills, pool or salt water
- Corrosion/ rust.

Your product has been designed for safety and quality.

Any modifications made to the original product could compromise its structural integrity or function, and could lead to product failure or personal injury. As such, modifying this product voids any and all warranties.

This product is warranted for RESIDENTIAL USE ONLY, and is not for commercial, contract or other non-residential purposes. Products disclaims all other representations and warranties of any kind, express or implied.

The warranty applies to the original purchaser and is non-transferable. It does not apply to purchases of display models, or when the product is sold on clearance or "as is".

We makes no warranty whatsoever in respect to accessories or parts not supplied with it. This warranty shall apply only within the boundaries of the United States of America and Canada. This warranty gives the original purchaser specific rights, and the original purchaser may also have other rights, which vary from state to state.

