

PRODUCT SPECIFICATIONS

OVERALL ASSEMBLED DIMENSIONS

HEIGHT: 85.7 CM (33-3/4"), WIDTH: 58.4 CM (23") DIA.

PUMP: SOLAR BRUSHLESS PUMP, 6V, HEAD: 40 CM (15-3/4"). FLOW: 200 L/H. SUBMERSIBLE FOUNTAIN PUMP.

SOLAR PANEL: 22 CM (8-11/16") LENGTH x 18.8 CM (7-7/16") WIDTH, MODEL: P003F, 6V, 1.4 WATT, SOLAR PANEL WITH FOUR RECHARGEABLE "AA" BATTERIES, (NI-MH, 4 x 1.2V, 1200MAH).

COLUMNS: PAINTED RESIN. UPPER COLUMN: 14.3 CM (5-5/8") DIA. MAX. x 21.3 CM (8-3/8") HEIGHT, LOWER COLUMN: 17.1 CM (6-3/4") DIA. MAX. x 19.7 CM (7-3/4") HEIGHT. SHAPED AS SHOWN.

RESERVOIRS: PAINTED RESIN. UPPER RESERVOIR: 33.7 CM (13-1/4") DIA. MAX. x 9.5 CM (3-3/4") HEIGHT, LOWER RESERVOIR: 58.4 CM (23") DIA. MAX. x 17.1 CM (6-3/4") HEIGHT. SHAPED AS SHOWN.

BASE: PAINTED RESIN. 18.7 CM (7-3/8") DIA. (TOP) x 25.4 CM (10") DIA. (BOTTOM) x 38.7 CM (15-1/4") HEIGHT. SHAPED AS SHOWN.

LABELS: MANUFACTURING DATE, REPLACEMENT PARTS LABEL, WARNING LABEL FOR PARTS, PARTS ARROW LABEL, MODEL # AND COUNTRY OF ORIGIN LABEL PROVIDED.

PACKAGING AND SHIPPING DETAILS

THE FOUNTAIN IS DISASSEMBLED FOR SHIPPING. THE COMPONENT PARTS ARE CAREFULLY WRAPPED AND PLACED IN THE INNER PACKING SO THAT THEY CAN NOT MOVE DURING SHIPPING. A SMALL BAG OF SILICA IS INCLUDED IN THE PACKAGE.

THE CARTON IS MADE OF DOUBLE WALL CORRUGATED CARDBOARD "A MA A". WHITE IN COLOR. THE INNER PACKING IS DIE-CUT CARDBOARD AND/OR STYROFOAM SUFFICIENT TO PROTECT AND SECURE THE FOUNTAIN AND MUST PASS THE 18" DROP TEST REQUIREMENTS.

EACH CARTON SHALL BE PROVIDED WITH FULL COLOR LABEL SHOWING THE MENARDS NAME AND LOGO, SKU, MODEL # AND FINISH. A PHOTO OF THE FOUNTAIN, THE COUNTRY OF ORIGIN AND UPC BAR CODE AS FOLLOWS: 053392114619, SKU=2771940.

OTHER DETAILS

MODEL M11461 INSTRUCTIONS ARE TO BE PACKED IN A PLASTIC BAG WITH EACH FOUNTAIN. INSTRUCTIONS MUST BE PRINTED CLEARLY ON QUALITY PAPER.

ALL VISIBLE PARTS MUST MATCH FOUNTAIN FINISH UNLESS OTHERWISE SPECIFIED.

ALL BAGS MUST BE LABELED WITH OFFICIAL "THIS BAG IS NOT A TOY" STATEMENT.

WE REQUIRED THAT A COLOR PIGMENT CLOSE TO THE FINISH COLOR OF THE FOUNTAIN MUST BE MIXED INTO THE RESIN/MATERIAL PRIOR TO THE MOLD COMPLETION. THIS IS TO ASSURE IF WE HAVE ANY PEELING OF PAINT THE RESIN IS THE SAME COLOR AS THE FINISH OF THIS ITEM.

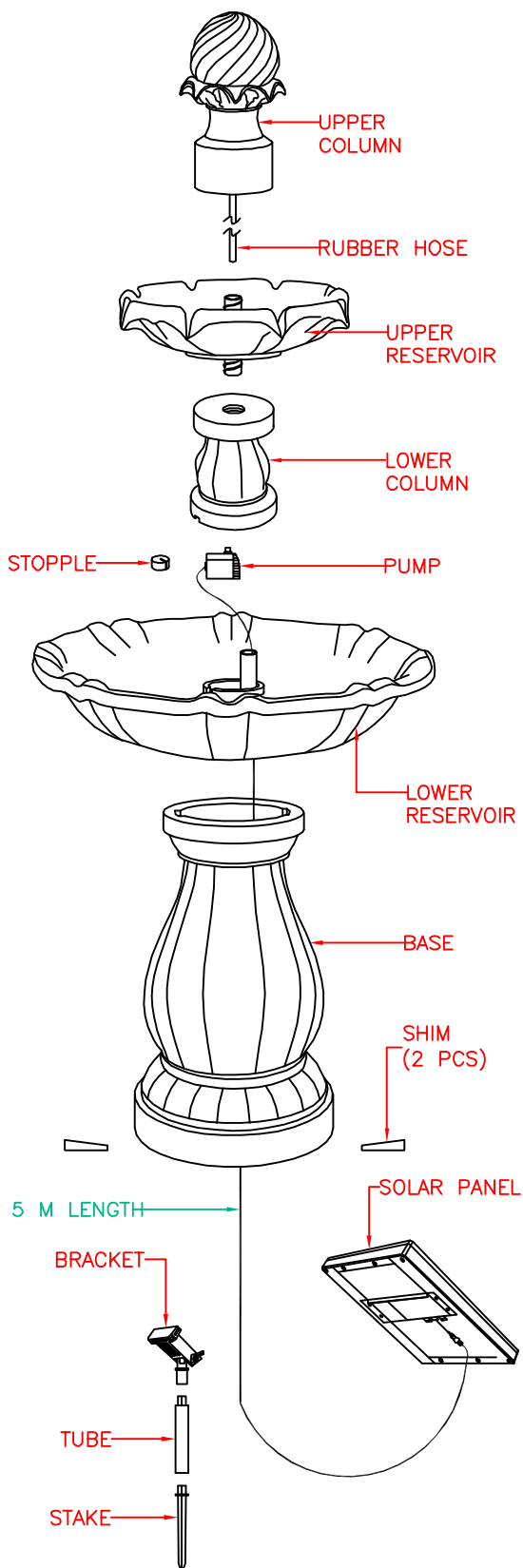
EACH FOUNTAIN SHOULD HAVE A PIGMENT COLOR REFERENCE CHIP FOR THE UNPAINTED GOODS FOR INSPECTION.

ASSEMBLY TIME: 15 MINUTES.

DIMS OF BOX: 62.9 CM (24-3/4") LENGTH x 43.8 CM (17-1/4") WIDTH x 62.9 CM (24-3/4") HEIGHT. (CUFT.: 6.11')

NET WEIGHT: 24.2 LBS. GROSS WEIGHT: 29 LBS.

THIS FOUNTAIN RATED FOR OUTDOOR USE.



**KENROY
HOME**

3723 Regent Boulevard
JACKSONVILLE, FL. 32224
PHONE: 904-642-4340
FAX: 904-642-4150

THIS DOCUMENT AND THE INFORMATION THAT IT DISCLOSES IS THE EXCLUSIVE PROPERTY OF KENROY HOME. ANY REPRODUCTION OR USE OF THIS DRAWING IN PART OR IN WHOLE, WITHOUT THE EXPRESS CONSENT OF THE PROPRIETOR IS PROHIBITED. © 2013 KENROY HOME.

DATE: 8/12/2013

SCALE: NONE

DRAWN BY: JAMES

REFERENCE:
CHRISTIANE TIERED OUTDOOR SOLAR FOUNTAIN

APPROVAL:

REVISION DATE:
11/4/2013 change package drawings

REVISION DATE:
11/25/2013 add two shims

REVISION DATE:

REVISION DATE:

MODEL #:

M11461

FINISHES:
ROMAN WHITE

PAGE: 1 OF 1