

MODEL: M11472

ASSEMBLY INSTRUCTIONS

READ AND SAVE THESE INSTRUCTIONS

THIS FOUNTAIN SHOULD TAKE APPROXIMATELY 15 MINUTES TO ASSEMBLE.

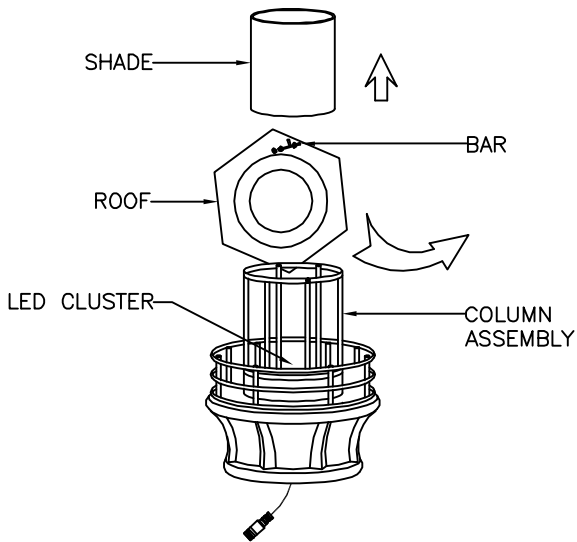
MAKE SURE ALL PARTS ARE FIRMLY TIGHTENED.

UNPACK THE FOUNTAIN

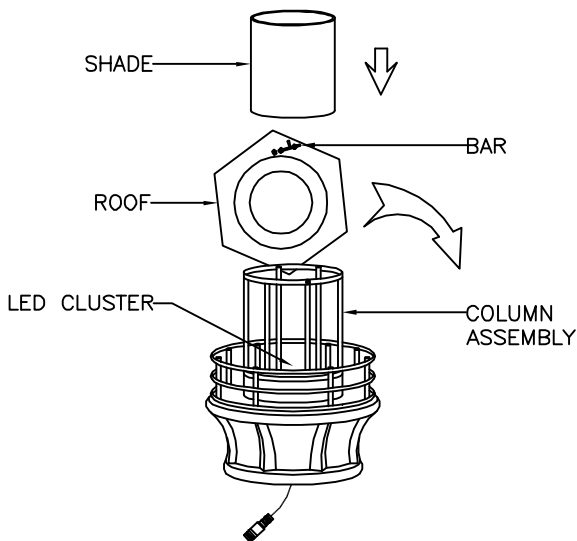
YOU SHOULD HAVE RECEIVED THE FOLLOWING PARTS: COLUMN ASSEMBLY, FOUNTAIN BODY, PUMP AND TRANSFORMER.

FOUNTAIN ASSEMBLY

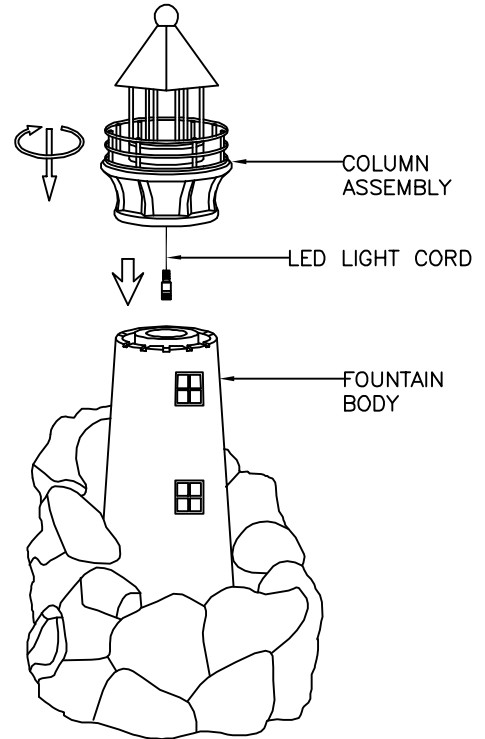
1. OPEN THE ROOF BY SLIDING THE BAR, TAKE OUT SHADE FROM COLUMN ASSEMBLY AND REMOVE THE PLASTIC BAG FROM THE SHADE.



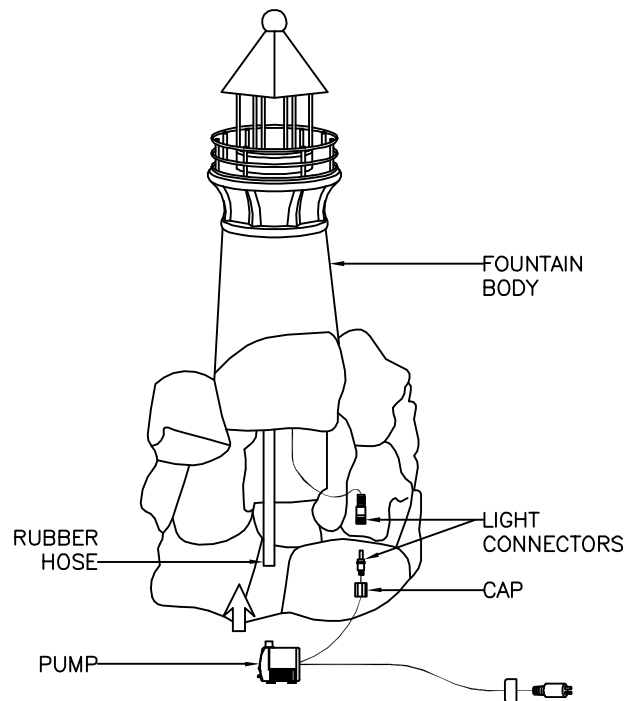
2. PLACE THE SHADE INTO COLUMN ASSEMBLY, CLOSE THE ROOF AND SLIDE THE BAR TO SECURE.



3. FEED THE LED LIGHT CORD THROUGH THE HOLE IN FOUNTAIN BODY, PLACE THE COLUMN ASSEMBLY ONTO FOUNTAIN BODY AND TWIST THE COLUMN ASSEMBLY CLOCKWISE TO SECURE.



4. JOIN THE LIGHT CONNECTORS AND SCREW THE CAP TO CONNECTOR TIGHTLY TOGETHER, ATTACH PUMP TO RUBBER HOSE.



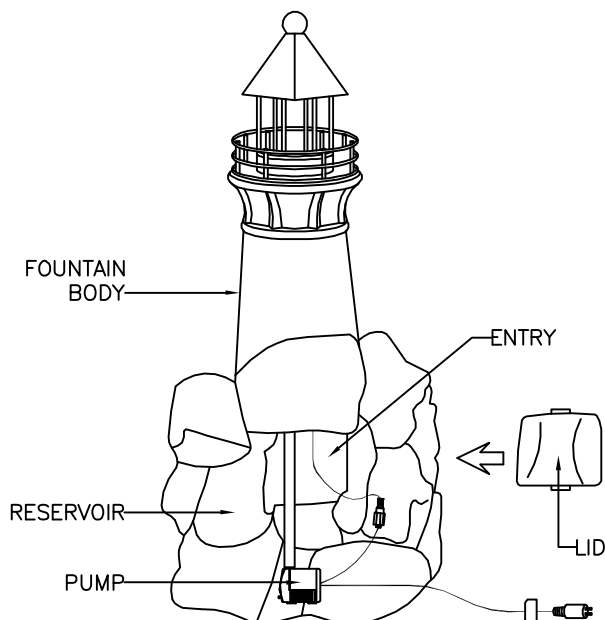
MODEL: M11472

ASSEMBLY INSTRUCTIONS

READ AND SAVE THESE INSTRUCTIONS

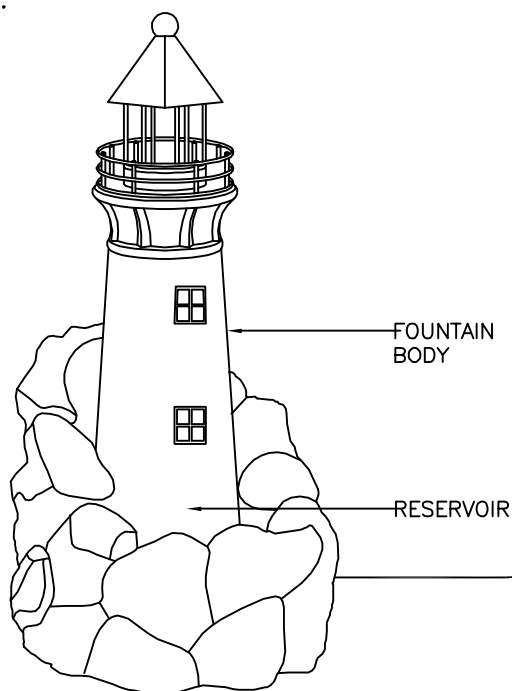
FOUNTAIN ASSEMBLY

5. PLACE THE PUMP FLAT IN RESERVOIR FROM THE ENTRY. COVER THE ENTRY BY SLIDING LID TO BACK OF THE FOUNTAIN BODY.



6. FILL RESERVOIR WITH 2.8 GALLONS OF WATER TO COMPLETELY SUBMERSE THE PUMP.

NOTE: DISTILLED WATER IS RECOMMENDED TO REDUCE MINERAL DEPOSITS AND BACTERIA BUILD-UP.



7. JOIN THE CONNECTORS AT TRANSFORMER AND SCREW THE CAP TO CONNECTOR TIGHTLY TOGETHER.

8. PLUG TRANSFORMER INTO SOCKET, YOUR NEW FOUNTAIN IS READY FOR USE.

TROUBLE SHOOTING:

1. IF YOUR FOUNTAIN DOES NOT WORK, CHECK PLUG AT THE SOCKET. MAKE SURE THE PLUG IS FULLY AND PROPERLY INSERTED INTO THE WALL OUTLET.

2. NEXT CHECK TO MAKE SURE THE OUTLET IS POWERED.

3. IF THE FOUNTAIN STILL DOES NOT WORK, PLEASE CONTACT YOUR DISTRIBUTOR OR PLACE OF PURCHASE.

IMPORTANT PUMP INFORMATION:

PUMP MUST BE FULLY SUBMERSED IN WATER WHILE OPERATING. PLEASE SEE BELOW FOR PUMP REPLACEMENT.

SPLASHING DISCLAIMER:

SPLASHING MAY OCCUR WHEN FOUNTAIN IS INITIALLY TURNED ON. PROTECT SURROUNDING SURFACES AS NEEDED.

WATER:

TO REDUCE MINERAL DEPOSITS AND BACTERIA BUILD UP THE USE OF DISTILLED WATER IS RECOMMENDED.

WARNING:

* ONCE A WEEK INSPECT FOUNTAIN, FLOOR AND ADJACENT WALL FOR MOISTURE BUILD-UP AND CLEAN AS NECESSARY. THIS IS ESPECIALLY IMPORTANT FOR HUMID ENVIRONMENTS.

** THIS FOUNTAIN IS RATED FOR OUTDOOR USE.

*** THIS UNIT MUST BE CONNECTED TO A SUPPLY CIRCUIT THAT IS PROTECTED BY A GROUND FAULT CIRCUIT INTERRUPTER (GFCI). THE GFCI SHOULD BE TESTED ON A ROUTINE BASIS. TO TEST THE GFCI, PUSH THE TEST BUTTON. THE GFCI SHOULD INTERRUPT POWER. PUSH THE RESET BUTTON. POWER SHOULD BE RESTORED. IF THE GFCI FAILS TO OPERATE IN THIS MANNER, THE GFCI IS DEFECTIVE.

