

MODEL: 90386

ASSEMBLY INSTRUCTIONS READ AND SAVE THESE INSTRUCTIONS

TOOLS

YOU WILL NEED THE FOLLOWING TOOLS OR EQUIPMENT:
LADDER, SCREWDRIVER, ADJUSTABLE WRENCH, WIRE CUTTERS
AND PLIERS.

UNPACK THE FIXTURE

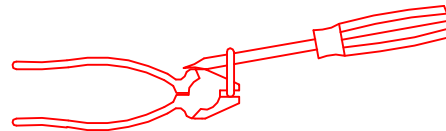
YOU SHOULD HAVE RECEIVED THE FOLLOWING PARTS IN THE
PACKAGE: UPPER CANOPY, (2) CHAINS, LOWER CANOPY, (2)
SUPPORT TUBES, FIXTURE BODY, (4) SCREWS, (4) NUTS, (6)
GLASS SHADES, (6) METAL RINGS AND (6) SOCKET RINGS. TO
PROTECT THE FINISH, PLACE ALL PARTS ON A SOFT SURFACE.

MOUNTING HARDWARE PACKAGE:

(2) 8-32 x 1-1/4" SCREWS, NIPPLE, NUT, CROSSBAR, GREEN
GROUND SCREW, (3) WIRE CONNECTORS AND FINIAL.

FIXTURE ASSEMBLY

1. CAREFULLY UNPACK AND PLACE ALL PARTS ON A SMOOTH,
FLAT SURFACE. LINE UP ALL OF THE PARTS ACCORDING TO
ASSEMBLY DIAGRAM.
2. ATTACH ONE END OF THE SUPPORT TUBE TO LOWER
CANOPY, THEN SECURE WITH SCREW AND NUT AS SHOWN.
3. ATTACH THE OTHER END OF THE SUPPORT TUBE TO TOP
OF FIXTURE BODY, THEN SECURE WITH SCREW AND NUT AS
SHOWN.
4. DETERMINE THE LENGTH OF CHAIN REQUIRED TO HANG THE
FIXTURE AT THE DESIRED HEIGHT. USING PLIERS, OPEN ONE
END LINK OF CHAIN AND ATTACH TO THE CHAIN LOOP ON TOP
OF THE FIXTURE. REMOVE OR ADD CHAIN AS DESIRED AT THIS
TIME. LACE FIXTURE WIRE AND GROUND WIRE UP THROUGH
EVERY OTHER LINK OF CHAIN.



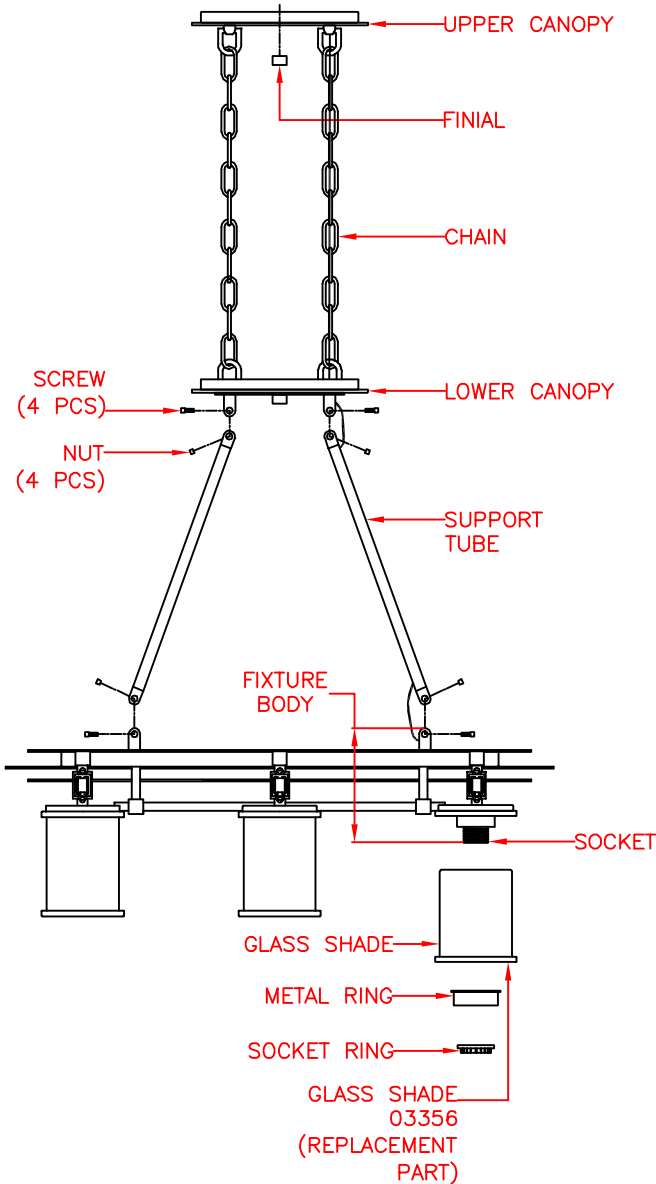
TO SPREAD A LINK OF CHAIN

USE A PAIR OF PLIERS AND A SCREWDRIVER
AS SHOWN ABOVE, BEING CAREFUL TO WRAP
THE JAWS OF THE PLIERS WITH CLOTH TO
PROTECT THE FINISH OF THE CHAIN.

STOP COMPLETE INSTALLATION INSTRUCTIONS ON NEXT PAGE BEFORE CONTINUING TO FINAL ASSEMBLY.

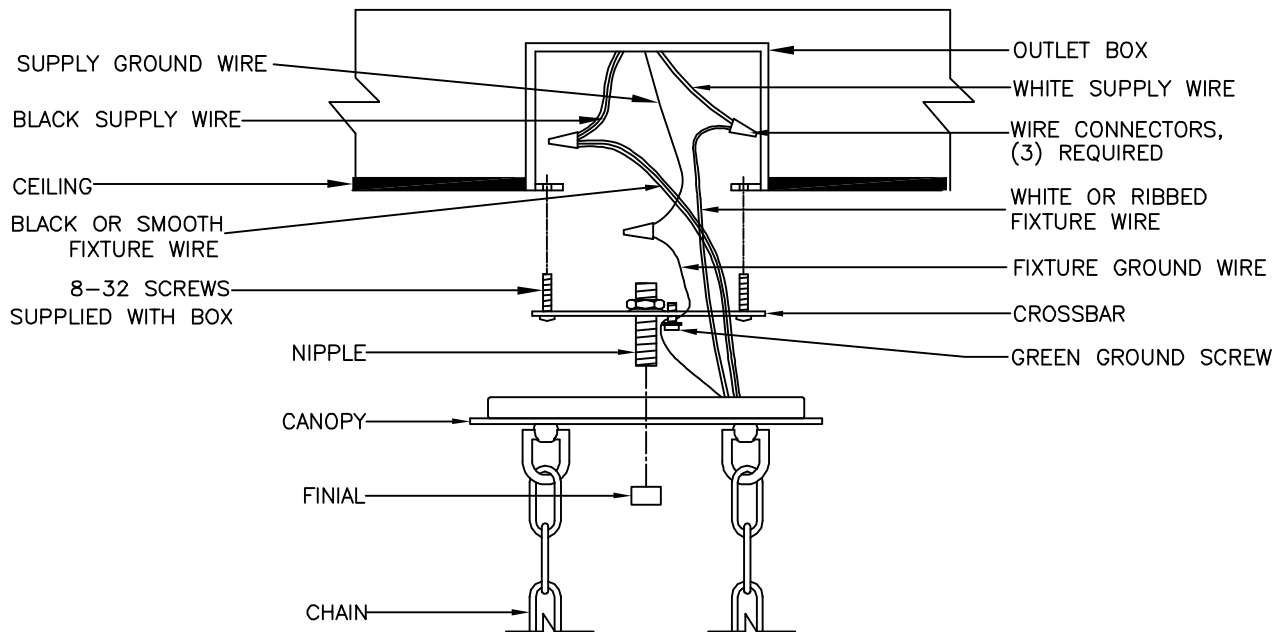
FINAL ASSEMBLY

1. PLACE A GLASS SHADE OVER EACH SOCKET, THEN SECURE
WITH A METAL RING AND A SOCKET RING.
2. INSTALL A 100 WATT MAX. MEDIUM BASE TYPE "A" BULB
(NOT INCLUDED) INTO EACH SOCKET.
3. RESTORE POWER, YOUR FIXTURE IS NOW READY TO USE.



AVAILABLE PART IS:
03356 (GLASS SHADE)





INSTALLATION INSTRUCTIONS

READ AND SAVE THESE INSTRUCTIONS

CAUTION

TO AVOID POSSIBLE ELECTRIC SHOCK, MAKE SURE THE ELECTRICITY IS SHUT OFF AT THE MAIN PANEL. IF YOU ARE REPLACING AN EXISTING FIXTURE, FIRST TURN THE FIXTURE OFF. NEXT, TURN THE WALL SWITCH OFF. FINALLY, GO TO THE MAIN FUSE OR BREAKER BOX IN YOUR HOME. TURN THE FUSE OR BREAKER TO THE OFF POSITION. SOME TYPES OF FUSES MUST BE UNSCREWED TO SHUT OFF THE POWER.

* ALL WIRING MUST BE DONE IN ACCORDANCE WITH NATIONAL AND LOCAL ELECTRIC CODES.

** IF YOU ARE NOT FAMILIAR WITH WIRING, YOU SHOULD USE A QUALIFIED ELECTRICIAN.

*** THIS FIXTURE IS INTENDED TO BE MOUNTED TO A UL LISTED OUTLET BOX CAPABLE OF SUPPORTING THE FIXTURE.

COMPLETE FIXTURE ASSEMBLY INSTRUCTIONS FIRST (SEE PREVIOUS PAGE).

1. SCREW THE NIPPLE INTO THE CROSSBAR. ATTACH THE CROSSBAR TO THE CEILING OUTLET BOX USING THE TWO SCREWS PROVIDED WITH THE OUTLET BOX.

(NOTE: IF THE SCREWS WITH THE OUTLET BOX ARE TOO SHORT, USE THE (2) 8-32 x 1-1/4" SCREWS PROVIDED IN THE MOUNTING HARDWARE PACKAGE).

2. CONNECT THE WHITE OR RIBBED FIXTURE WIRE TO THE WHITE SUPPLY WIRE IN THE OUTLET BOX USING THE TWIST-ON WIRE CONNECTORS PROVIDED. CONNECT THE BLACK OR SMOOTH FIXTURE WIRE TO THE BLACK SUPPLY WIRE IN THE SAME MANNER. INSTALL THE FIXTURE GROUND WIRE UNDER THE GREEN GROUND SCREW ON THE CROSSBAR THEN CONNECT THE FIXTURE GROUND WIRE TO THE SUPPLY GROUND WIRE IN THE OUTLET BOX USING THE TWIST-ON WIRE CONNECTOR PROVIDED.

3. TUCK THE WIRES CAREFULLY INSIDE THE OUTLET BOX. SPREAD THE ELECTRICAL SPLICES SO THAT THE BLACK WIRES ARE ON ONE SIDE OF THE OUTLET BOX AND THE WHITE WIRES ARE ON THE OTHER SIDE.

4. RAISE THE FIXTURE TO THE CEILING AND SECURE IN PLACE WITH THE FINIAL.

5. SEE REVERSE FOR FINAL ASSEMBLY INSTRUCTIONS.

