

**WARNING:**  
TO AVOID RISK OF ELECTRICAL SHOCK  
TURN OFF OR DISCONNECT FROM POWER  
WHILE INSTALLING OR SERVICING UNIT

Installation Instructions: 351-0013 (M-FP-7R-W) | 7.5" 1000 Lumen LED Round Flat Panel Light

**WARNING**



- When using product, basic precautions should always be followed.
- Read and follow these instructions and heed all warnings.
- Carefully read and understand the information given in this manual before beginning installation. Failure to do so could lead to electric shock, fire, or other injuries which could be hazardous or even fatal.
- Save these instructions and warnings.

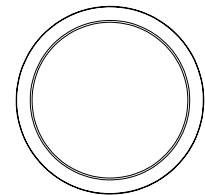
**CAUTION**



- Do not install on radiant heated ceiling.
- This item is designed for dry use and is not water proof.
- Do not place this item in a humid or dusty environment.
- Do not use in areas with temperature higher than 104° Fahrenheit.
- Do not use in areas near a gas source.

## PRE-INSTALL

1. Before assembly compare package contents with list to make sure all parts are present.
2. Shut off power at circuit breaker before removing existing fixture. If you are unfamiliar with electrical installations, we recommend you have a qualified electrician complete your installation.
3. Select suitable location that can support the weight of the fixture. Determine mounting method (Page 2.).
4. Using the Color Temperature Guide Card select whichever color temperature best fits your environment

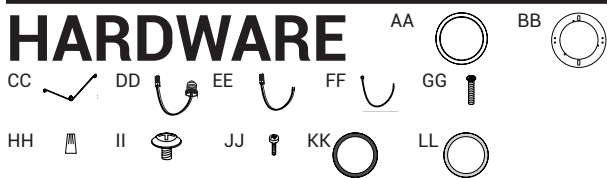


**Tools required**



Phillips Screw Driver

## HARDWARE



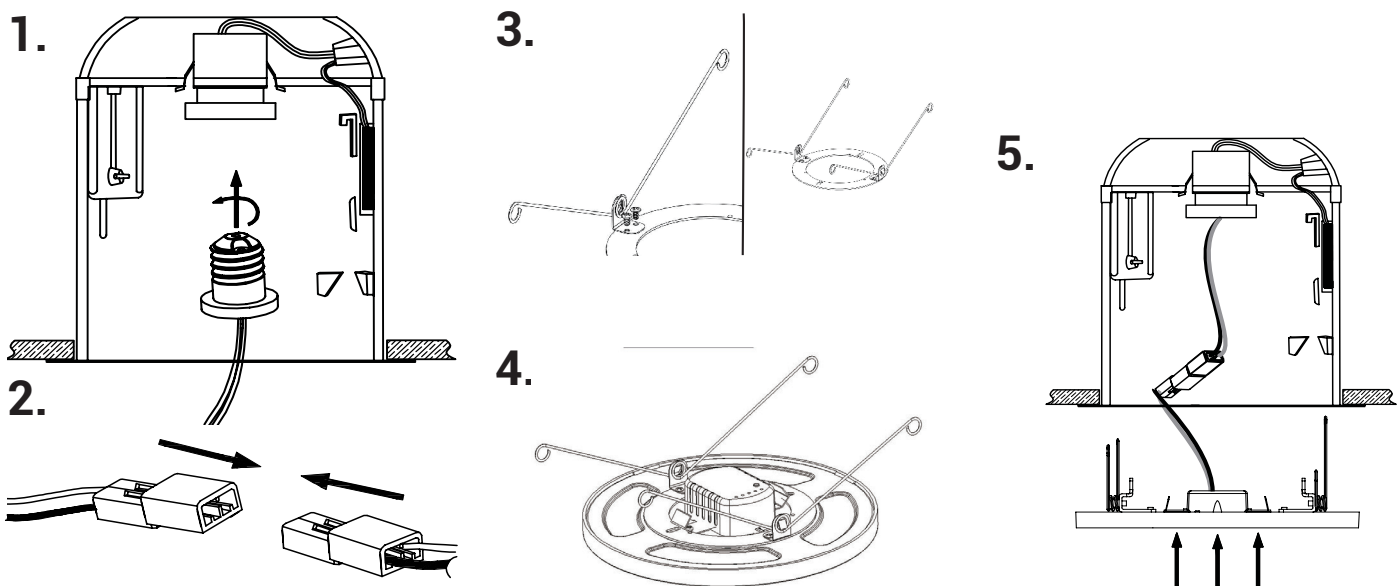
| Part | Description          | Qty | Part | Description            | Qty | Part | Description         | Qty |
|------|----------------------|-----|------|------------------------|-----|------|---------------------|-----|
| AA   | 7 Inch Light         | 1   | FF   | Ground Wire            | 1   | KK   | Black Trim          | 1   |
| BB   | Mounting Bracket     | 1   | GG   | Mounting Screws        | 2   |      |                     |     |
| CC   | Torsion Springs      | 2   | HH   | Wire Nuts              | 3   | LL   | Brushed Nickel Trim | 1   |
| DD   | E26 Adapter          | 1   | II   | Grounding Screw        | 1   |      |                     |     |
| EE   | Wires with Connector | 1   | JJ   | Torsion Bracket Screws | 4   |      |                     |     |

Question/Comment/Missing Part? Customer Service 1-800-205-6201

Installation Instructions: 351-0013 (M-FP-7R-W) | 7.5" 1000 Lumen LED Round Flat Panel Light

## INSTALLATION INSTRUCTIONS (For Can)

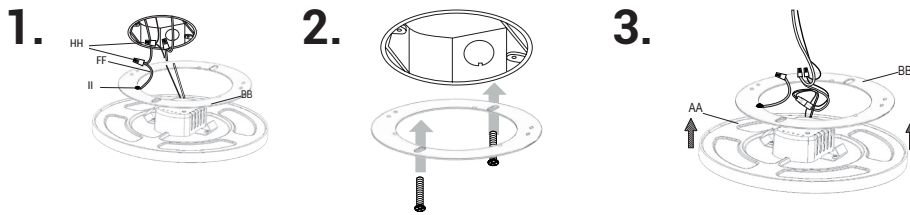
1. If you want to install one of the provided trims; place the trim over the front face of the LED light and bend the clips around the back to latch it in place.
2. Safety Concern! Always turn off the power at the breaker when installing light fixtures.
3. Before installing, use the Color Temperature Guide Card select whichever color temperature best fits your environment with the selector on the back of the light.
4. Screw the male E26 adapter (DD) into the socket of the recessed can. Refer to Fig. 1.
5. Connect the E26 adapter (DD), to the stripped wires (EE) using the quick connect. Refer to Fig 2.
6. Attach the torsions springs (CC) to the mounting plate (BB), using the mounting screws (JJ). Refer to Fig. 3. Then attach the mounting plate (BB) to the LED fixture (AA). Refer to Fig. 4.
7. Compress the torsion springs (CC). Then slide the light into the recessed can making sure that the torsion springs expanding into the mounting brackets within the can. Refer to Fig 5.



Installation Instructions: 351-0013 (M-FP-7R-W) | 7.5" 1000 Lumen LED Round Flat Panel Light

## INSTALLATION INSTRUCTIONS (For Junction Box)

- If you want to install one of the provided trims; place the trim over the front face of the LED light and bend the clips around the back to latch it in place.
- Safety Concern!** Always turn off the power at the breaker when installing light fixtures.
- Disconnect the male E26 adapter (DD), Grounding Wire and Screw (FF, II), and the Mounting Bracket (BB).
- Locate each wire: hot (black), Neutral (white) and ground (green or bare copper) on the connection wire (EE). Connect these wires to their corresponding junction box wires using the provided wire nuts (HH). Refer to Fig 1. Be sure to attach the grounding wire (FF) to the mounting plate (BB) with the grounding screw (II).
- Before installing, use the Color Temperature Guide Card select whichever color temperature best fits your environment with the selector on the back of the light.
- Screw the mounting bracket (BB) into the junction box with the provided screws (GG). Refer to Fig 2.
- Press the LED light into the mounting bracket, making sure that the clips engage and are secure. Refer to Fig 3.



## TROUBLE SHOOTING

| Problem  | Possible Cause  | Solution                              |
|--|---|---------------------------------------|
| The fixture does not light                             | The power is off  | Check that the power supply is ON.    |
|  | There is a bad wire connection.                             | Check the wiring                      |
|  | The switch is defective                                     | Test or replace the switch            |
| Circuit breaker trips when power is sent to the light. | Incorrect wire connections, or hot wires are grounding out. | Ensure wires are connected correctly. |

**WARNING:**  
TO AVOID RISK OF ELECTRICAL SHOCK  
TURN OFF OR DISCONNECT FROM POWER  
WHILE INSTALLING OR SERVICING UNIT

Installation Instructions: 351-0013 (M-FP-7R-W) | 7.5" 1000 Lumen LED Round Flat Panel Light

## CARE AND CLEANING

Your fixture is made from quality materials that will last many years with minimum care. You may want to periodically clean the diffuser or interior of the fixture.

- Use a mild, non-abrasive glass cleaner. Do not use any solvents or harsh cleaning agents.
- Use a soft, non-abrasive cloth.
- When cleaning, make sure that they power is off. Do not spray liquid cleaner directly onto LED's driver, or wiring.

## DIMMING FEATURE

This fixture is compatible with most residential model dimmers, though dimming performance is impacted differently by each model dimmer. A dimmer's settings for brightness range, as well as the number of other LED lights wired on the same circuit can change this fixture's dimming ability.

Preferred dimmers for this model include; Lutron's MACL-153MR-WH, TGCL-153P, SCL-153PR-WH, SCL-153-LA, DVCL-153P, MACL-153P, CTCL-153P, LGCL-153P, CTELV-303P-WH; Leviton's IPL06-10Z, 6674, 6633-P, IPI06-ILZ; and Cooper's 9543DS, DSF15P-A-K, AAL06-C2-K.

**EYES**



- Do not look directly at the LED lights for any length of time.
- Do not remove protective lens covering LED lights.



This product is guaranteed against failure due to factory defects in materials or workmanship for five (5) years from the date of purchase. This warranty is non-transferable and applies only to the original owner. Proof of purchase required for repair or replacement. This warranty does not cover normal wear of parts or damage resulting from any misuse of the product (i.e. using in extreme weather conditions), or alterations made to product.

Question/Comment/Missing Part? Customer Service 1-800-205-6201 