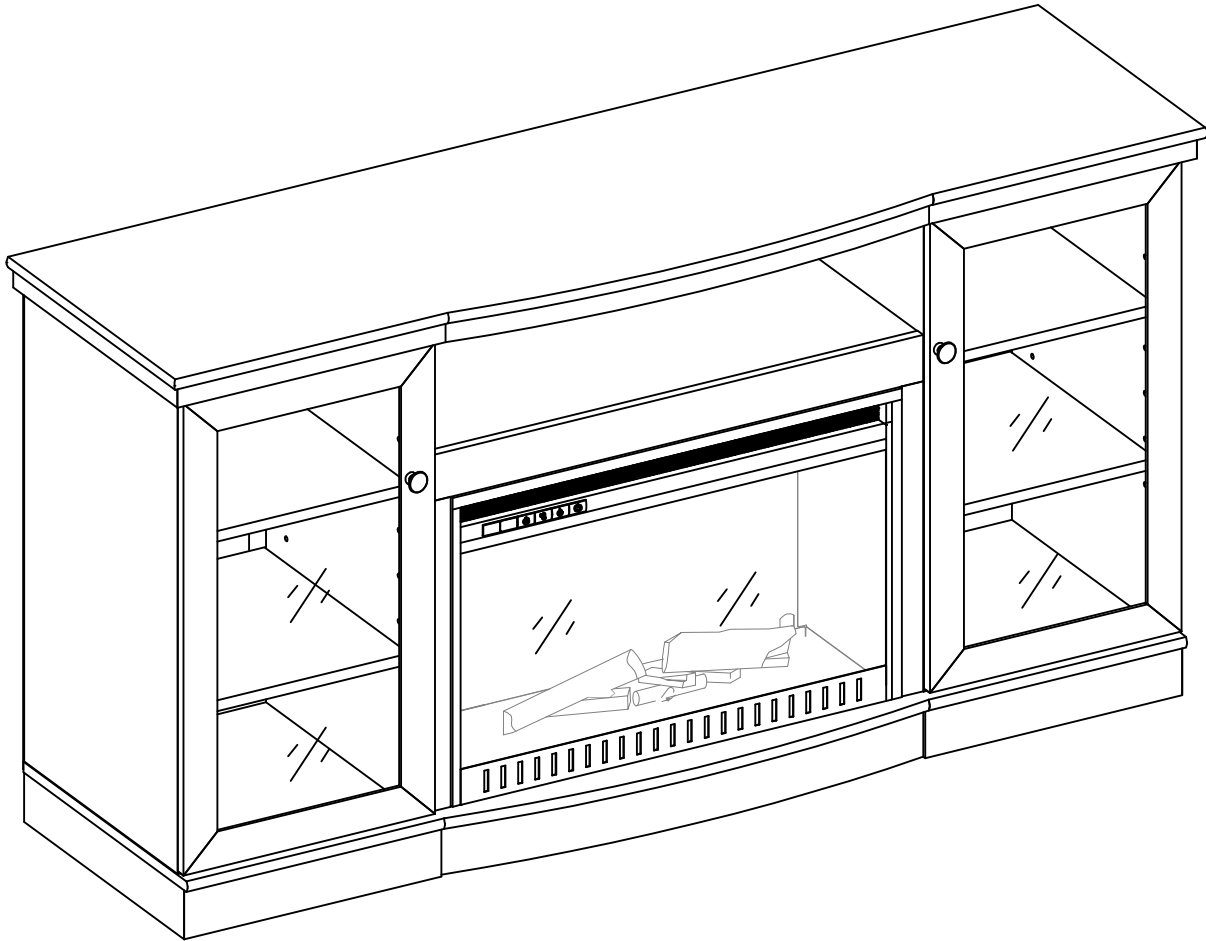




LOT NUMBER: \_\_\_\_\_

DATE PURCHASED: \_\_\_/\_\_\_/\_\_\_

Menards\_ GLENMORE 60" MEDIA FIREPLACE  
Model # WS03061126/WS03061526



## **ADULT ASSEMBLY AND SET-UP REQUIRED**

If you have any questions regarding assembly or if parts are missing, **DO NOT** return this item to the store where it was purchased. Please call our customer service number and have your instructions and parts list ready to provide the model name, part name or factory number:

**1-866-942-5362**

Pacific Standard Time: 8:30 a.m. - 4:30 p.m., Monday - Friday

Or visit our web site 24 hours a day, 7 days a week for product assistance at

**[www.whalenfurniture.com](http://www.whalenfurniture.com)**

Or e-mail your request to **[parts@whalenfurniture.com](mailto:parts@whalenfurniture.com)**

**THIS INSTRUCTION BOOKLET CONTAINS IMPORTANT SAFETY INFORMATION.  
PLEASE READ AND KEEP FOR FUTURE REFERENCE.**

## QUALITY GUARANTEE

We are confident that you will be delighted with your Whalen Furniture purchase.

Should this product be defective in workmanship or materials or fail under normal use, we will repair or replace it for up to one (1) year from date of purchase. Every Whalen Furniture product is designed to meet your highest expectations. We guarantee that you will immediately see the value of our fine furniture.

This warranty gives you specific legal rights and you may also have other rights which vary from province to province (state to state).

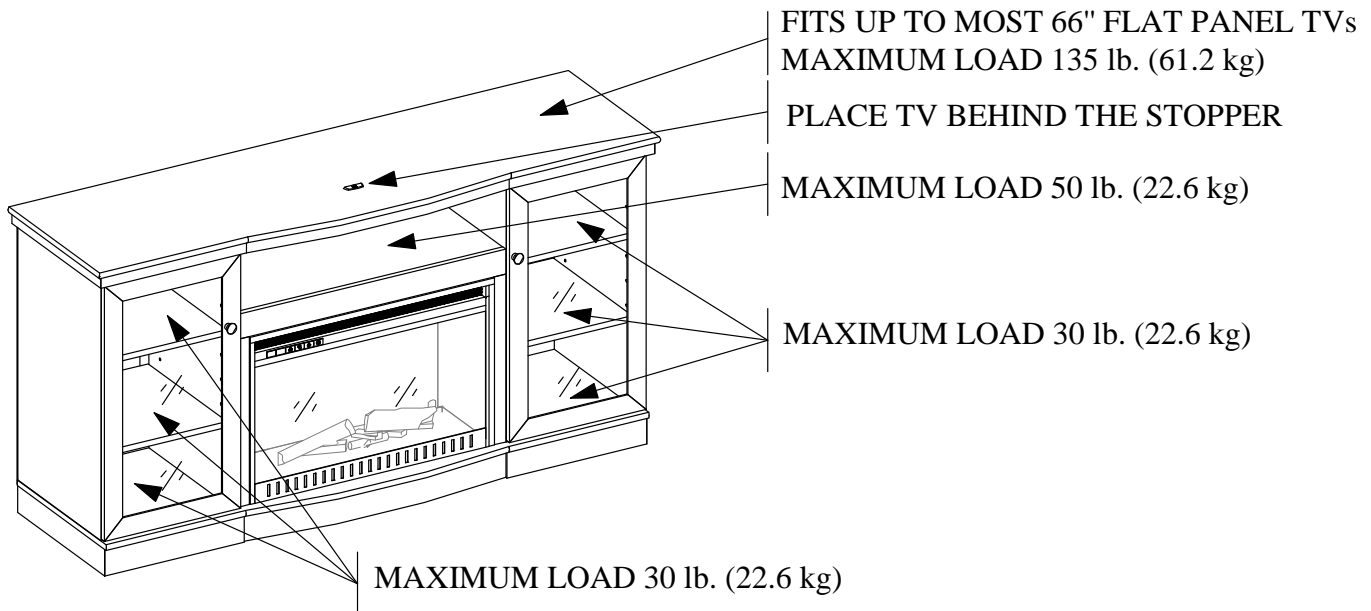
Customer Service: 1-866-942-5362

8:30 a.m. - 4:30 p.m., PST, Monday to Friday

[www.whalenfurniture.com](http://www.whalenfurniture.com)

### MAXIMUM RECOMMENDED WEIGHT LOADS

MANUFACTURER: Whalen Furniture Mfg., Inc.  
 CATALOG: Glenmore 60" Media Fireplace  
 DATE OF MANUFACTURE: June 2014  
 MADE IN CHINA

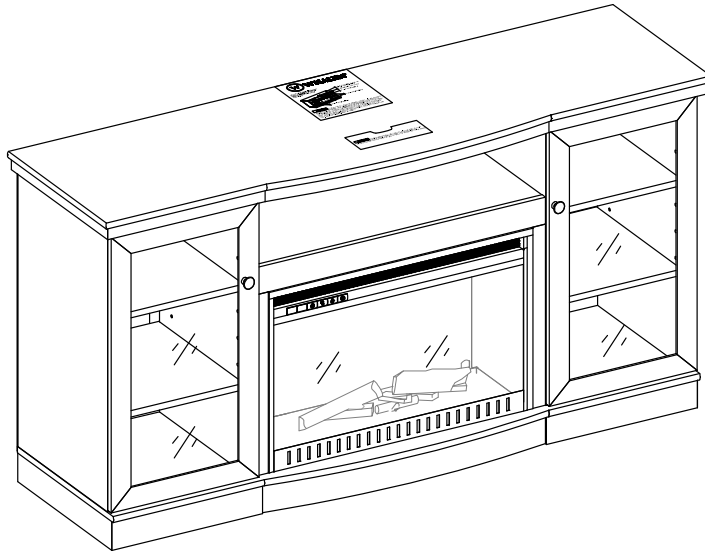


**⚠ WARNING** THIS UNIT IS NOT INTENDED FOR USE WITH CRT TVS. USE ONLY WITH FLAT PANEL TVS AND AUDIO/VIDEO EQUIPMENT MEETING RECOMMENDED SIZE AND WEIGHT LIMITS. NEVER USE WITH LARGER/HEAVIER THAN RECOMMENDED FLAT PANEL TVS OR EQUIPMENT. TO AVOID INSTABILITY, PLACE FLAT PANEL TV IN THE CENTRE OF THE UNIT; DO NOT ALLOW TV TO OVERHANG UNIT IN ANY DIMENSION, IMPROPERLY POSITIONED FLAT PANEL TVS, OR FLAT PANEL TVS OR OTHER EQUIPMENT THAT EXCEED RECOMMENDED SIZE AND WEIGHT LIMITS COULD FALL OFF OR BREAK THE UNIT, CAUSING POSSIBLE SERIOUS INJURY.

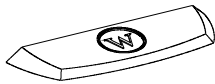
Please call for replacement parts or assistance: 1-866-942-5362

## Parts and Hardware List

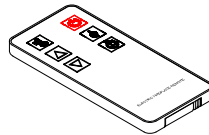
Please read completely through the instructions and verify that all listed parts and hardware are present before beginning assembly.



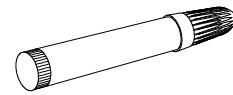
A- Fireplace (1)



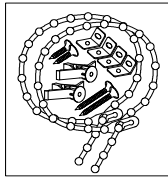
1- Acrylic Stopper (1)



2- Remote Control  
with Battery (1)



3- Touch-up Pen (1)



4- Tipping Restraint  
Hardware Kit (1)  
(Included in plastic bag)

Tools required: Phillips Screwdriver, Power Drill, 3/8" Drill Bit and Rubber Mallet (not provided).

Please call for replacement parts or assistance: 1-866-942-5362

Whalen Furniture Mfg., Inc.

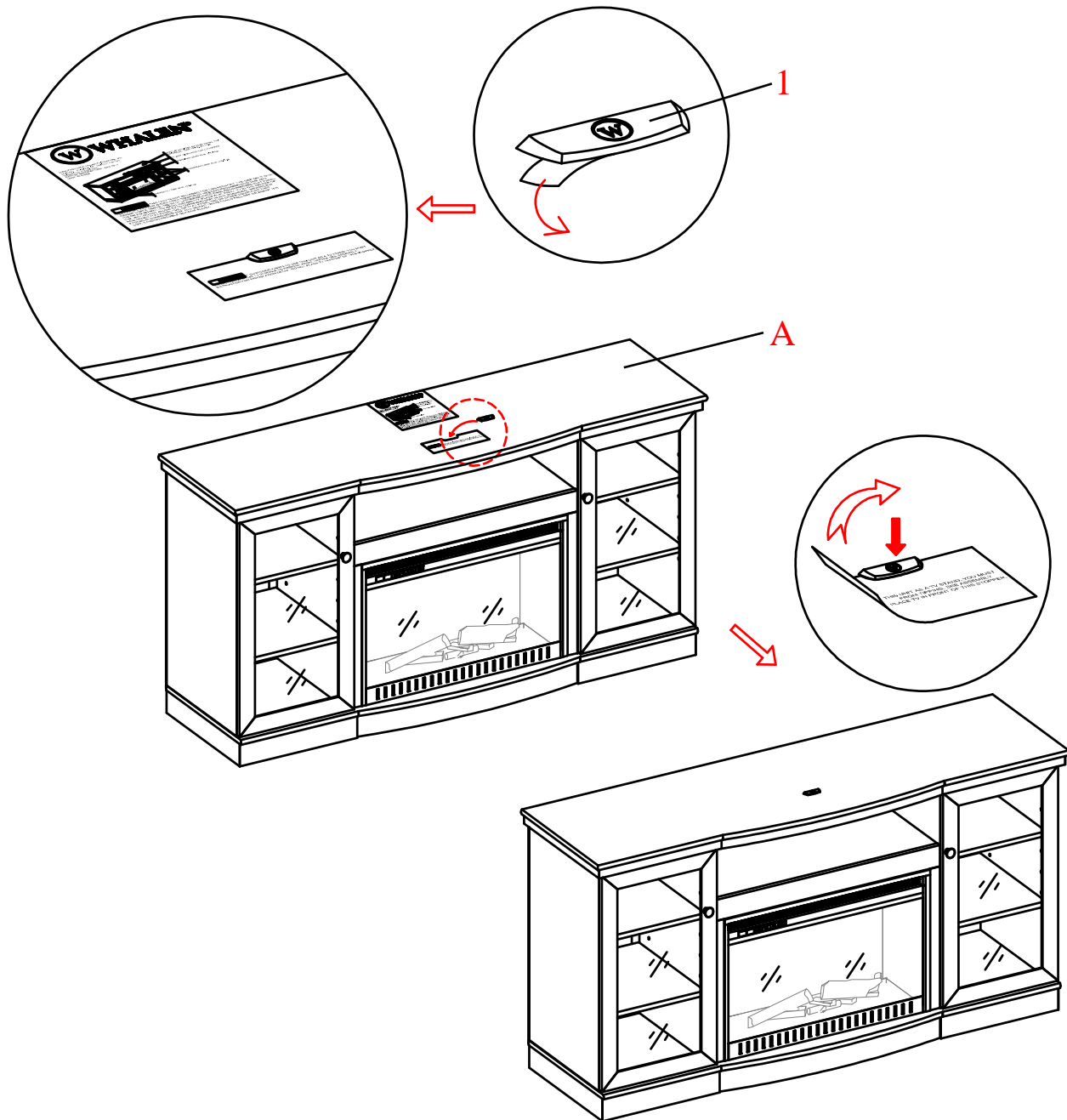
Page 3

Factory No. HECFUR

## Assembly Instructions

**NOTE:** You must install the Acrylic TV Stopper to prevent TV from tipping when placing your flat panel television on the table-top.

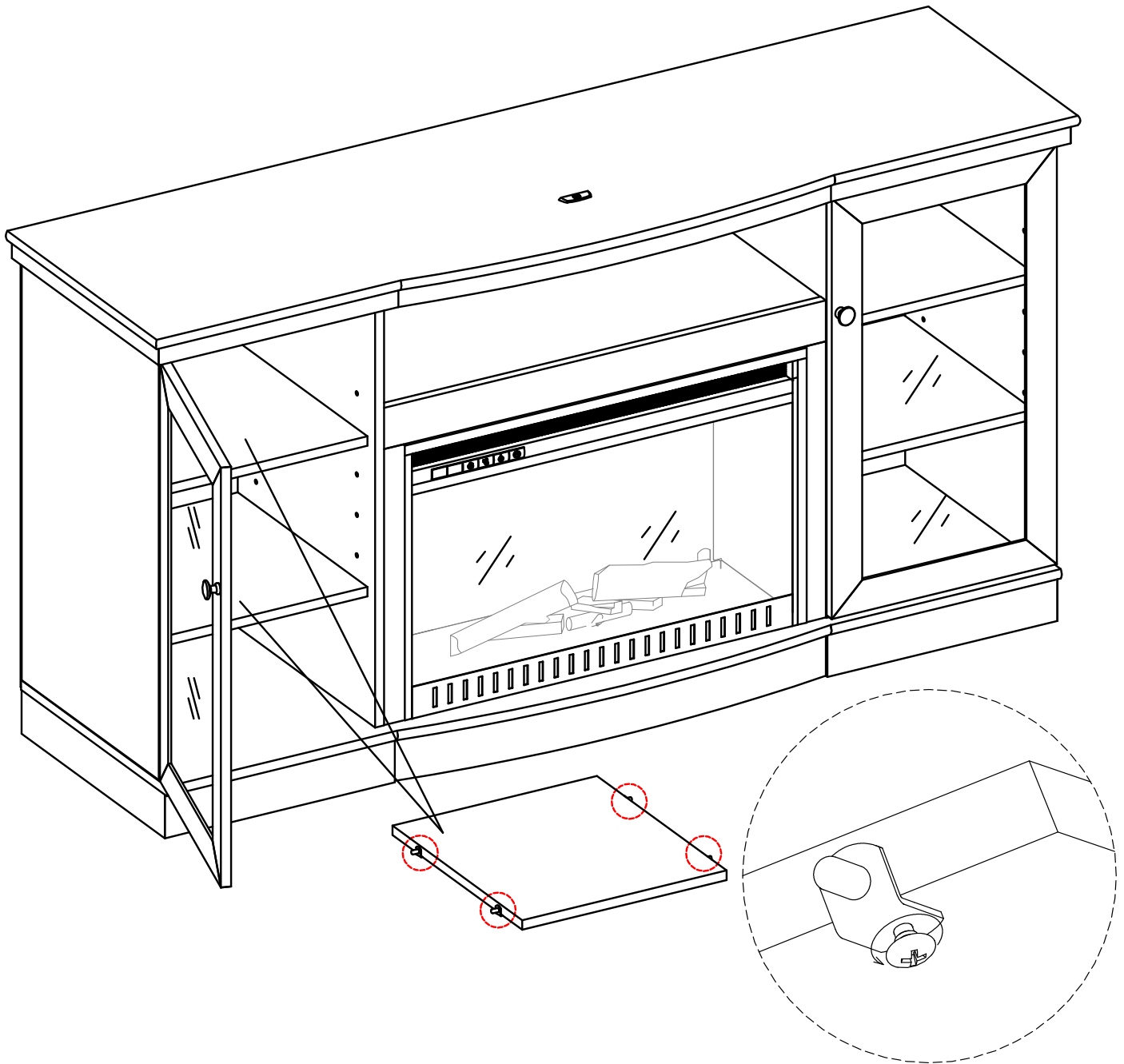
1. Ask for assistance to place the assembled fireplace near the final installation location.
2. Remove the tape of the Acrylic Stopper (1) and place it on the cut-out of the acrylic stopper template on the Top Panel. Make sure it is properly aligned before applying pressure.
3. Remove the acrylic stopper template from the top panel carefully, as shown below.



Please call for replacement parts or assistance: 1-866-942-5362

## Assembly Instructions

4. The adjustable shelf is pre-installed for shipping. If the shelf position is not to your liking, you will need to reposition the shelf by following the steps below.
  - a. Look under the shelf, and locate the M3.5\*12 pan head screw holding the shelf to the shelf pin.
  - b. Remove the M3.5\*12 pan head screw from each shelf pin with a Phillips screwdriver.
  - c. Remove the adjustable shelf from the pier unit.
  - d. Remove the shelf pins from the pier unit and re-position them in the desired location. Make sure you place the shelf pins in the same level so the shelf is not tilted.
  - e. Place the adjustable shelf back onto the newly relocated shelf pins.



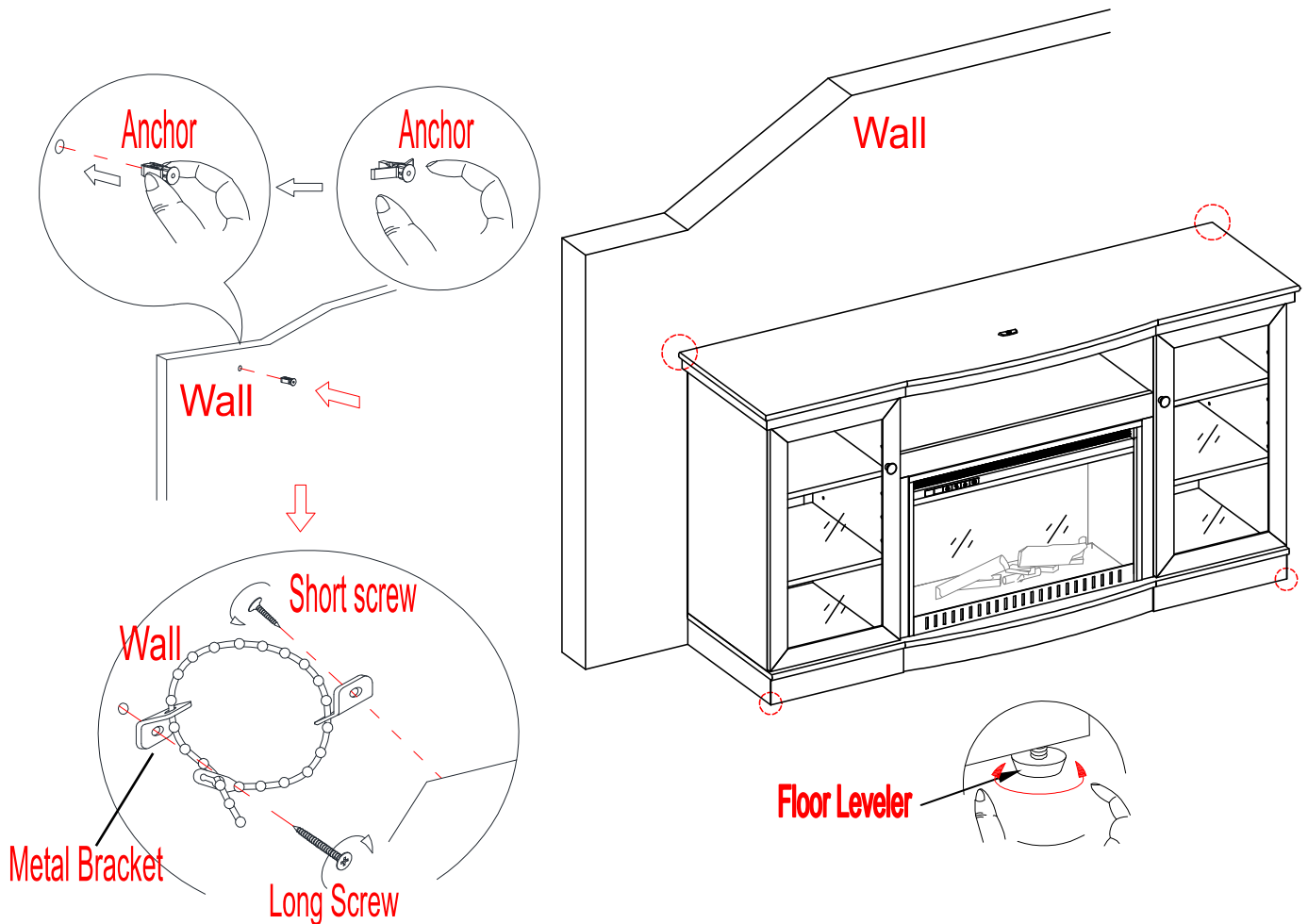
Please call for replacement parts or assistance: 1-866-942-5362

## Assembly Instructions

5. Ask for assistance to position the assembled fireplace at the desired location against a wall. In case of uneven floor, floor levelers are provided at the bottom of the mantel. If necessary, adjust the floor levelers by hand to correct tilting, until the unit is level.
6. Now, follow the instructions printed on the plastic bag containing the Tipping Restraint Hardware to attach the tip-over restraint to the unit and the wall.

***NOTE: Young children can be seriously injured by tipping furniture. You must install the Tipping Restraint Hardware with the unit to prevent the unit from tipping, causing any accidents or damage. The tipping restraints are intended only as a deterrent, they are not a substitute for proper adult supervision. The tipping restraints are not earthquake restraints. If you wish to add the extra security of earthquake restraints, they must be purchased and installed separately.***

7. Connect the fireplace to the power transformer. Follow the separated operating manual of electric fireplace insert to control your fireplace.



**Tools required: Phillips Screwdriver, Power Drill, 3/8" Drill Bit and Rubber Mallet (not provided).**

**Please call for replacement parts or assistance: 1-866-942-5362**

## Care and Maintenance

- Use a soft, clean cloth that will not scratch the surface when dusting.
- Use of furniture polishes is not necessary. Should you choose to use polishes, test first in an inconspicuous area.
- Using solvents of any kind on your furniture may damage the finish.
- Never use water to clean your furniture as it may cause damage to the finish.
- Always use coasters under beverage glasses and flowerpots.
- Liquid spills should be removed immediately. Using a soft clean cloth, blot the spill gently. Avoid rubbing.
- Always use protective pads under hot dishes and plates. Heat can cause chemical changes that may create spotting within the furniture finish.
- Stains or marks from crayons or ink markers will be difficult to remove.
- In the event that your furniture is stained or otherwise damaged during use, we recommend that you call a professional to repair your furniture.
- Check bolts/screws periodically and tighten them if necessary.

## Further advice about wood furniture care

It is best to keep your furniture in a climate-controlled environment. Extreme temperature and humidity changes can cause fading, warping, shrinking and splitting of wood. It is advised to keep furniture away from direct sunlight as sun may damage the finish.

Proper care and cleaning at home will extend the life of your purchase. Following these important and helpful tips will enhance your furniture as it ages.

## Cleaning trim for fireplace

Clean the metal trim using a soft cloth, slightly dampened with citrus oil based product and buff with a clean soft cloth. **DO NOT** use brass polish or household cleaners as these products will damage the metal trim. Citrus oil based products can be obtained at supermarkets or hardware stores.

**A Touch-up Pen has been provided to repair any small nicks or scratches that may occur during assembly or shipping.**

We hope you enjoy your purchase for many years.  
Thank you for choosing Whalen Furniture!



**Please call for replacement parts or assistance: 1-866-942-5362**