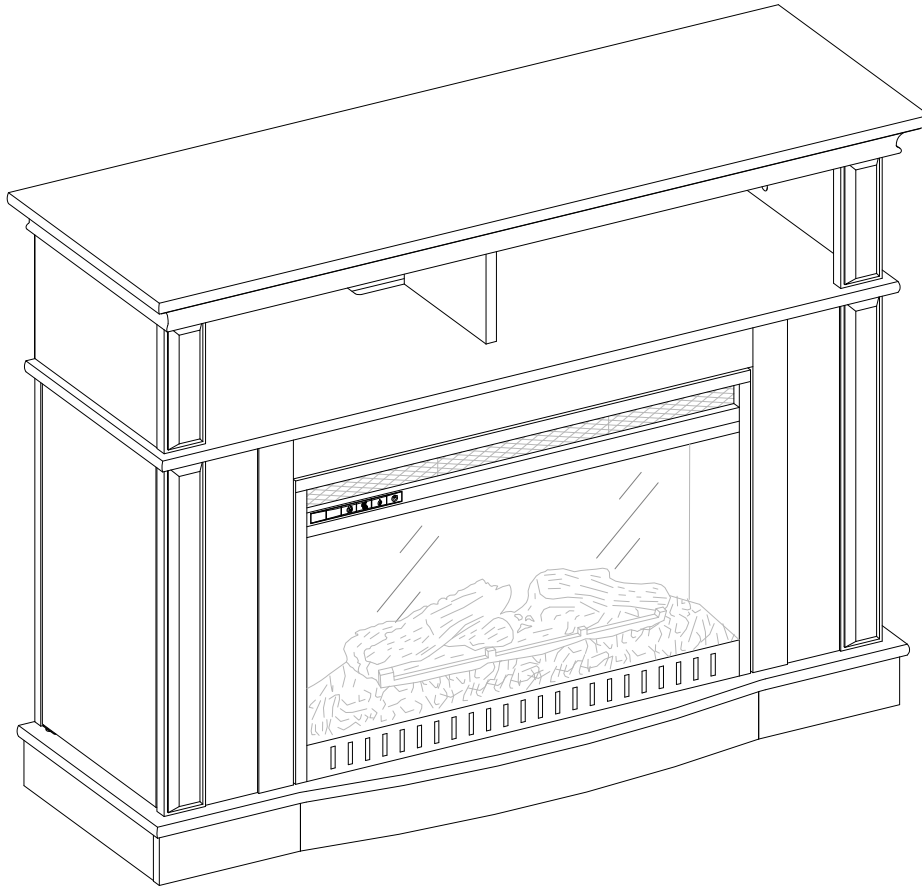




LOT NUMBER: _____
DATE PURCHASED: __/__/__

PRINCETON 44" Media Fireplace Model # WS3060926FP



ADULT ASSEMBLY AND SET-UP REQUIRED

If you have any questions regarding assembly or if parts are missing, **DO NOT** return this item to the store where it was purchased. Please call our toll-free customer service number and have your instructions and parts list ready to provide the model name, part name or factory number:

1-866-942-5362

Pacific Standard Time: 8:30 a.m. - 4:30 p.m., Monday - Friday

Or visit our web site 24 hours a day, 7 days a week for product assistance at

www.whalenfurniture.com

Or e-mail your request to **parts@whalenfurniture.com**

**THIS INSTRUCTION BOOKLET CONTAINS IMPORTANT SAFETY INFORMATION.
PLEASE READ AND KEEP FOR FUTURE REFERENCE.**

QUALITY GUARANTEE

We are confident that you will be delighted with your Whalen Furniture purchase.

Should this product be defective in workmanship or materials or fail under normal use, we will repair or replace it for up to one (1) year from date of purchase. Every Whalen Furniture product is designed to meet your highest expectations. We guarantee that you will immediately see the value of our fine furniture.

This warranty gives you specific legal rights and you may also have other rights which vary from province to province (state to state).

Customer Service: 1-866-942-5362

8:30 a.m. - 4:30 p.m., PST, Monday to Friday

www.whalenfurniture.com

MAXIMUM RECOMMENDED WEIGHT LOADS

MANUFACTURER: Whalen Furniture Mfg., Inc.

CATALOG: PRINCETON 44" Media Fireplace (WS3060926FP)

DATE OF MANUFACTURE: August 2014

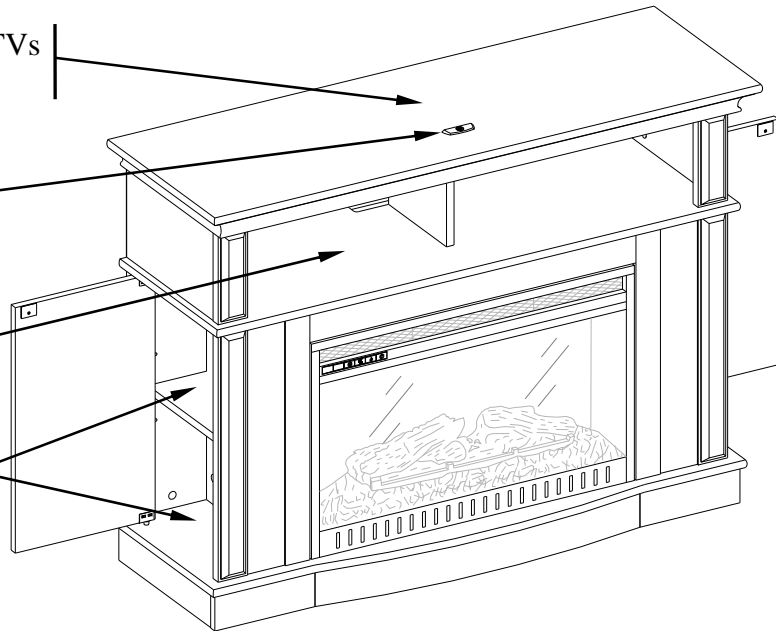
MADE IN CHINA

FITS UP TO MOST 50" FLAT PANEL TVs
MAXIMUM LOAD 135 lb. (61.2 kg)

PLACE TV BEHIND THE STOPPER

MAXIMUM LOAD 50 lb. (22.6 kg)

MAXIMUM LOAD 15 lb. (6.8 kg)



⚠ WARNING

THIS UNIT IS NOT INTENDED FOR USE WITH CRT TVS. USE ONLY WITH FLAT PANEL TVS AND AUDIO/VIDEO EQUIPMENT MEETING RECOMMENDED SIZE AND WEIGHT LIMITS. NEVER USE WITH LARGER/HEAVIER THAN RECOMMENDED FLAT PANEL TVS OR EQUIPMENT. TO AVOID INSTABILITY, PLACE FLAT PANEL TV IN THE CENTRE OF THE UNIT; DO NOT ALLOW TV TO OVERHANG UNIT IN ANY DIMENSION. IMPROPERLY POSITIONED FLAT PANEL TVS, OR FLAT PANEL TVS OR OTHER EQUIPMENT THAT EXCEED RECOMMENDED SIZE AND WEIGHT LIMITS COULD FALL OFF OR BREAK THE UNIT, CAUSING POSSIBLE SERIOUS INJURY.

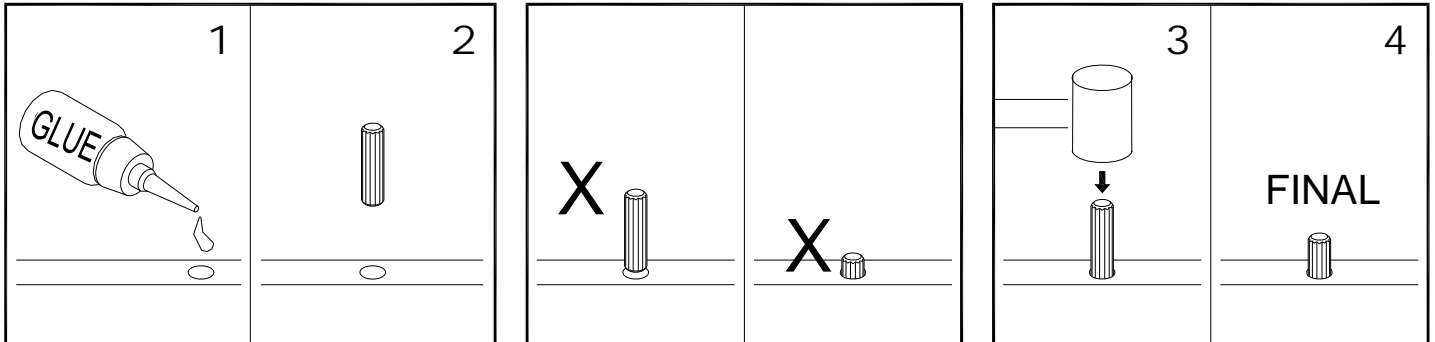
Please call for replacement parts or assistance: 1-866-942-5362

Important

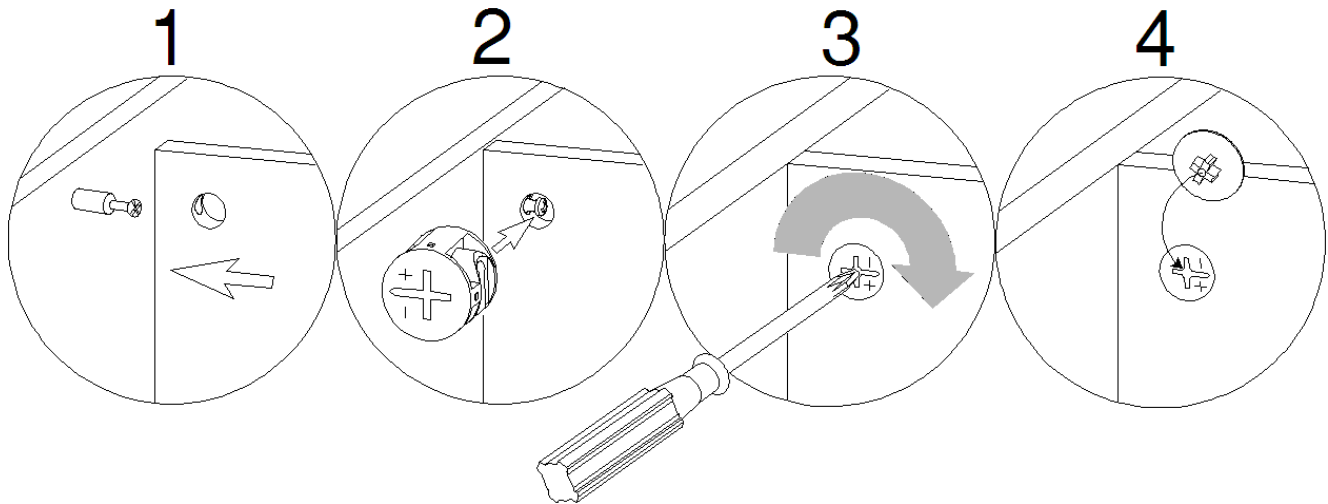
Before you begin: Open, identify and count all parts prior to assembly. Lay out parts on a flat and non-abrasive surface. You will need the parts identified on page 4 of this instruction manual.

NOTE: IT IS VERY IMPORTANT TO USE GLUE WITH DOWELS. EXCESS GLUE CAN BE WIPED OFF WITH DAMP CLOTH.

Insert the Dowel at least half way by tapping lightly with a rubber mallet, IF NECESSARY.



CAM LOCK SYSTEM OPERATION



HOW THE KNOCK DOWN (KD) ASSEMBLY SYSTEM WORKS

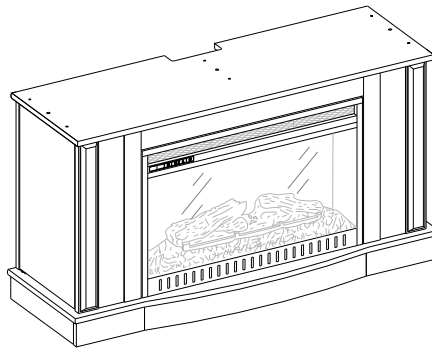
1. Screw the Cam Bolt into the threaded inserts on the panel. Connect both panels together; making sure Cam Bolt goes into the pre-drilled hole on the end of panel for Cam Lock.
2. Insert the Cam Lock into the pre-drilled large hole on the panel. Make sure the arrow on the face of Cam Lock faces out and points towards Cam Bolt.
3. Take a Phillips screwdriver and rotate the Cam Lock clockwise to lock the Cam Bolt in place.
4. Plug the Cam Lock Cover into the cross slot of the Cam Lock to conceal the Cam.

You are now ready to assemble the KD unit.

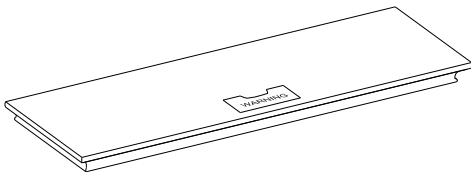
Please call for replacement parts or assistance: 1-866-942-5362

Parts and Hardware List

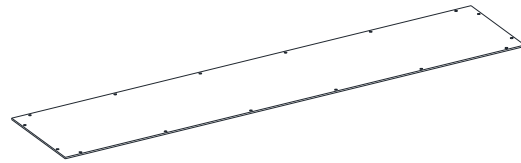
Please read completely through the instructions and verify that all listed parts and hardware are present before beginning assembly.



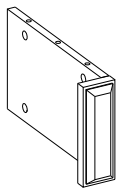
A- Mantel Base with Fireplace (1)



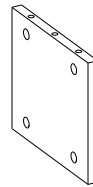
B- Top Panel (1)



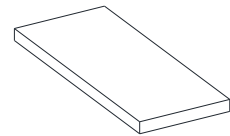
C- Upper Back Panel (1)



D- Upper Side Panel (2)



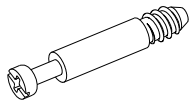
E- Upper Partition Panel (1)



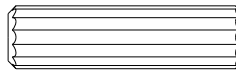
F- Adjustable Shelf (2)



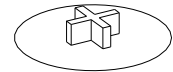
(1) Cam Lock
(12+1 extra)



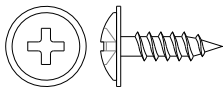
(2) Cam Bolt
(12+1 extra)



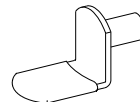
(3) M8 x 30 mm Wood Dowel
(6+1 extra)



(4) Cam Lock Cover
(14+1 extra)



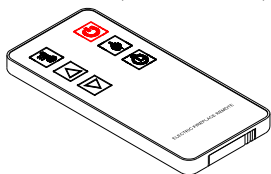
(5) 1/2" Washer Head Screw
(16+1 extra)



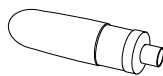
(6) Shelf Support
(8+1 extra)



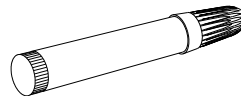
(7) Acrylic Stopper
(1)



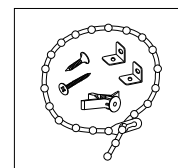
(8) Remote Control with Battery
(1)



Glue
(1)



Touch-up Pen
(1)

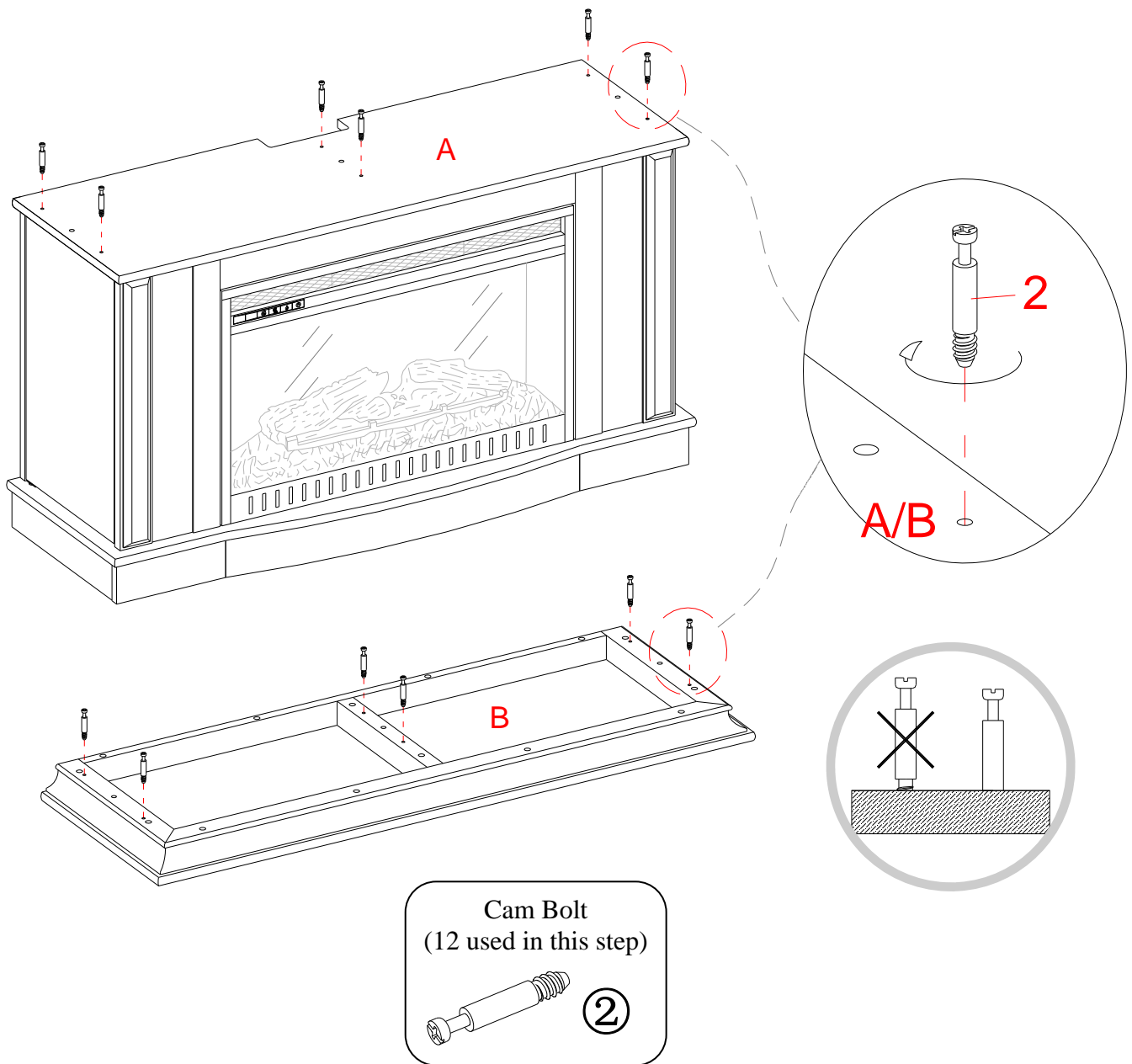


Tipping Restraint Hardware Kit (2)
(Included in plastic bag)

Tools required: Phillips screwdriver and Rubber Mallet (not provided).

Please call for replacement parts or assistance: 1-866-942-5362

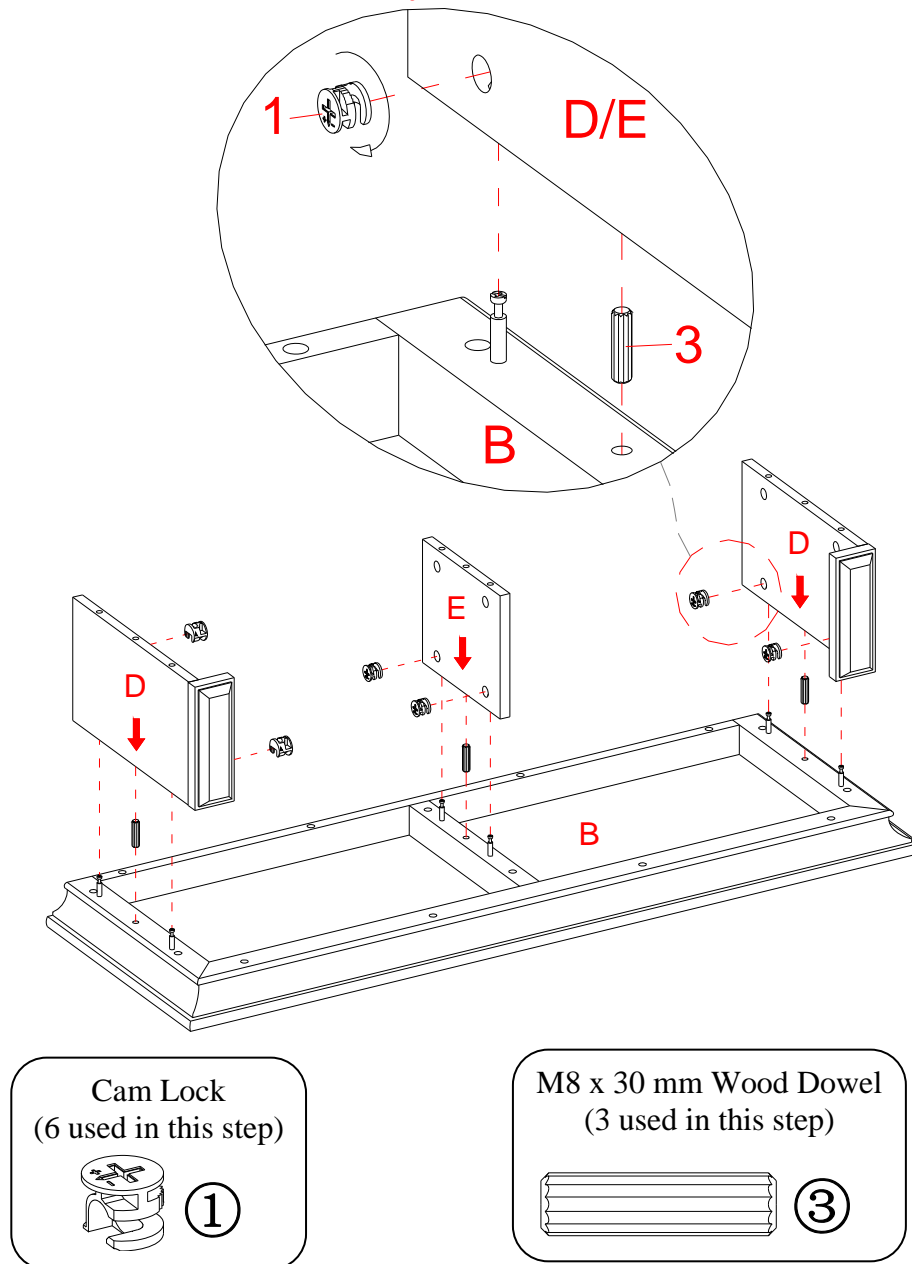
Assembly Instructions



1. Unpack the unit and confirm that you have all the hardware and required parts.
2. With the help of an assistant, remove the Mantel Base (A) from the box, and place it near the final installation location. Securely screw six Cam Bolts (2) into the designated small holes by Phillips screwdriver, as shown above.
3. Place the Top Panel (B) on a level and protective surface with the holes facing up. Securely screw six Cam Bolts (2) into the designated small holes by a Phillips screwdriver. As show.

Please call for replacement parts or assistance: 1-866-942-5362

Assembly Instructions



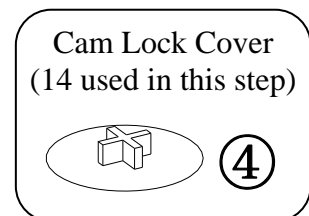
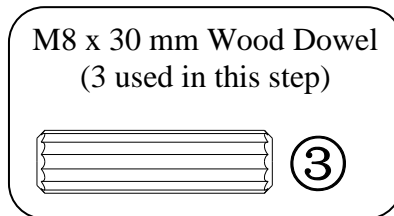
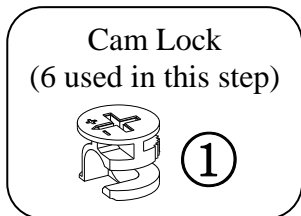
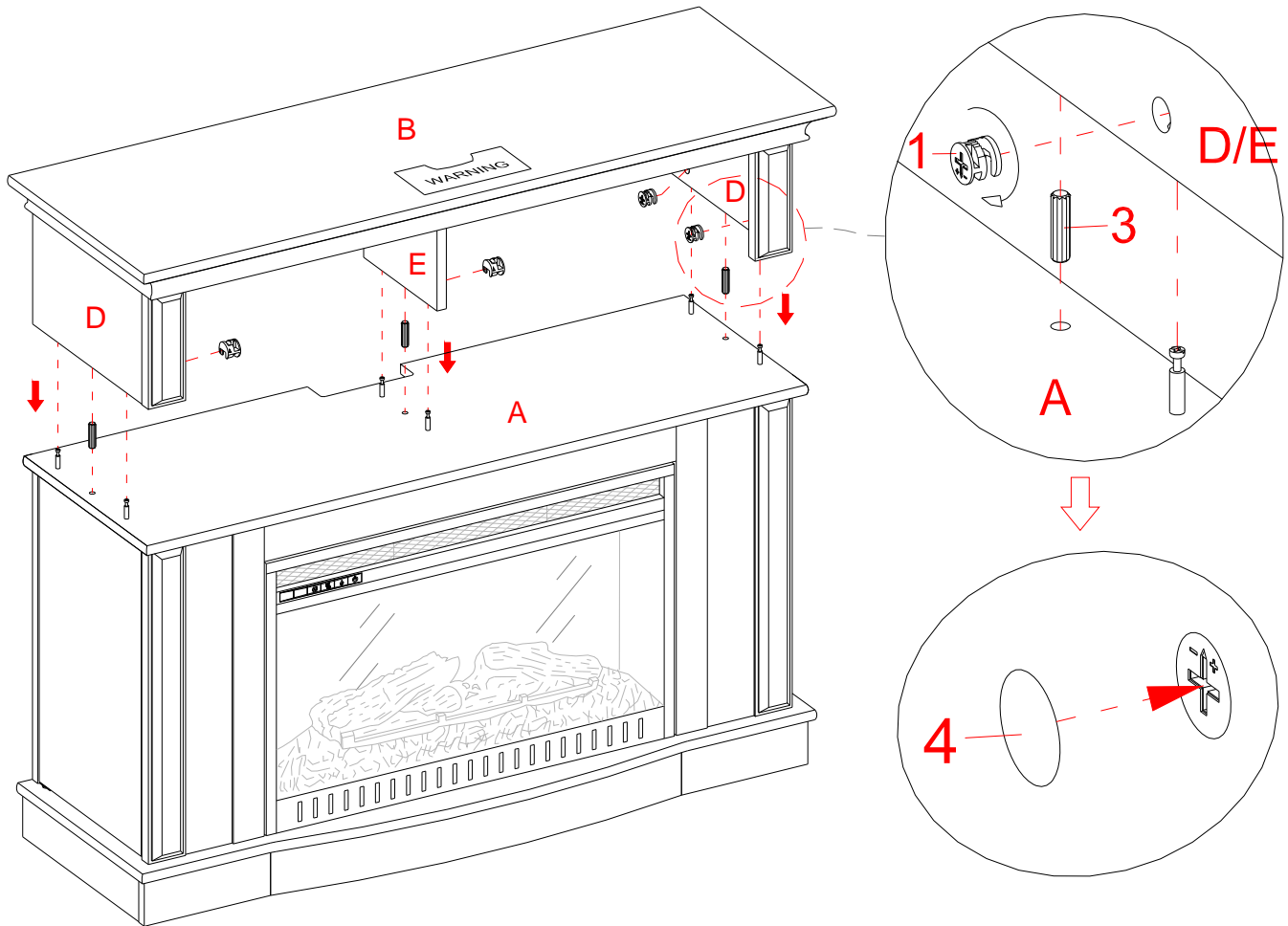
4. Insert one Wood Dowel (3) into the middle hole of the Upper Side Panels (D). Lightly tap in with a rubber mallet, if necessary. Make sure that you use a small amount of glue with both ends of all dowels.

NOTE: It is very important to use a small amount of glue on both ends of dowels.

5. Align the inserted Wood Dowels (3) under one Upper Side Panel (D) with the large hole on the Top Panel (B), and then press them together. Make sure that the front molding of the Upper Side Panel (D) faces inward. Secure the Upper Side Panel (D) in place by engaging two Cam Locks (1) (Refer to page 3 on Cam Lock system operation supplement).
6. Repeat the same procedure to attach the other Upper Side Panel (D) at the opposite end.
7. Fasten the Upper Partition Panel (E) to the center of the Top Panel (B) by using two Cam Locks (1) and one Wood Dowel (3). As shown.

Please call for replacement parts or assistance: 1-866-942-5362

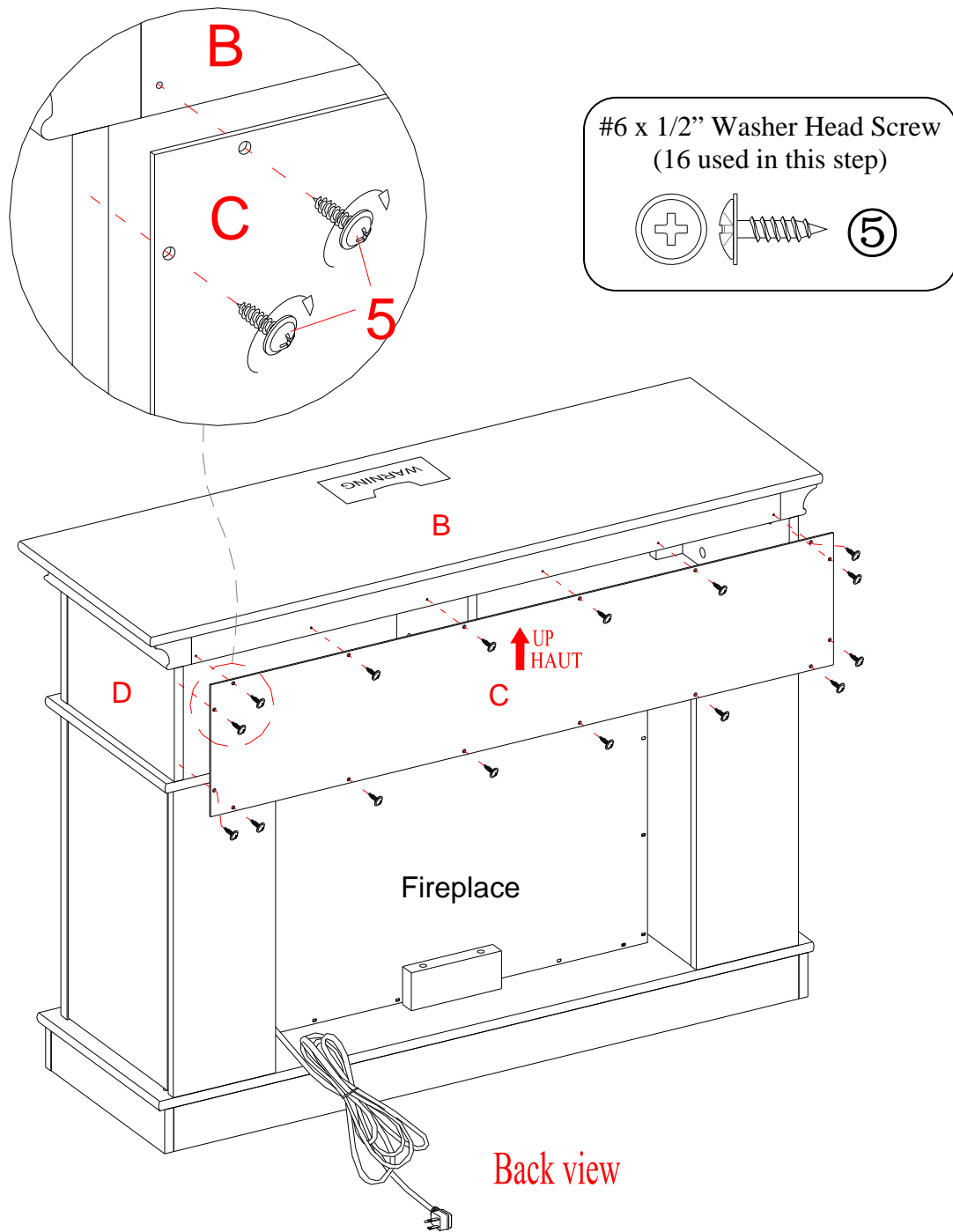
Assembly Instructions



8. Insert one Wood Dowel (3) into the middle end hole of the Upper Side Panels (D) and Partition Panel (E) respectively. Fasten last assembly to the Fixed Shelf of the Mantel Base (A) by engaging six Cam Locks (1).
9. Plug the provided Cam Lock Covers (4) onto the visible Cams Locks to conceal the Cams.

Please call for replacement parts or assistance: 1-866-942-5362

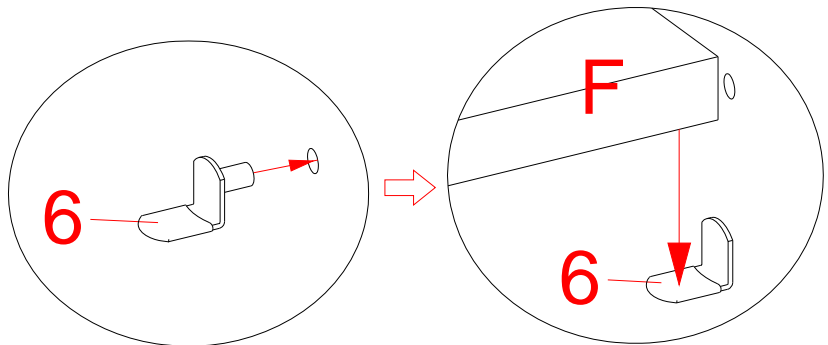
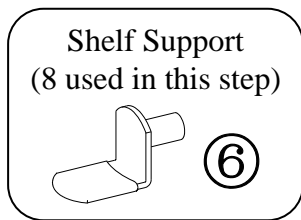
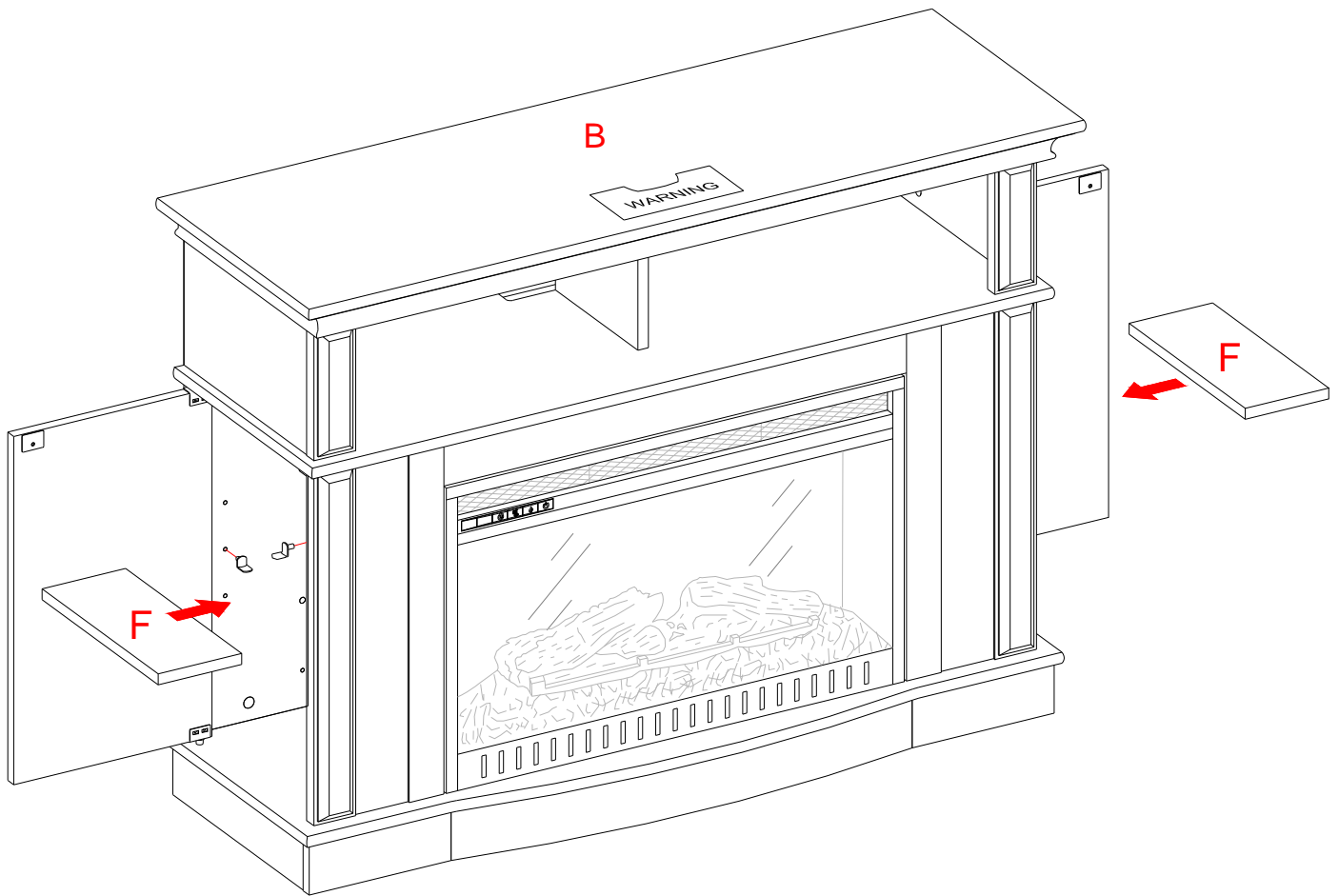
Assembly Instructions



10. Now, go back and securely tighten all the Cam Locks and the Screws. Make sure that all the parts are tight and there are no gaps between the parts. This will help keep the unit square.
11. Pick up the Back Panel (C) and align the pre-drilled holes against the upper long edge with the pilot holes on the back stretcher of the Top Panel (B). Attach the Back Panel (C) in place using the provided 1/2" Washer Head Screws (5). As shown.

Please call for replacement parts or assistance: 1-866-942-5362

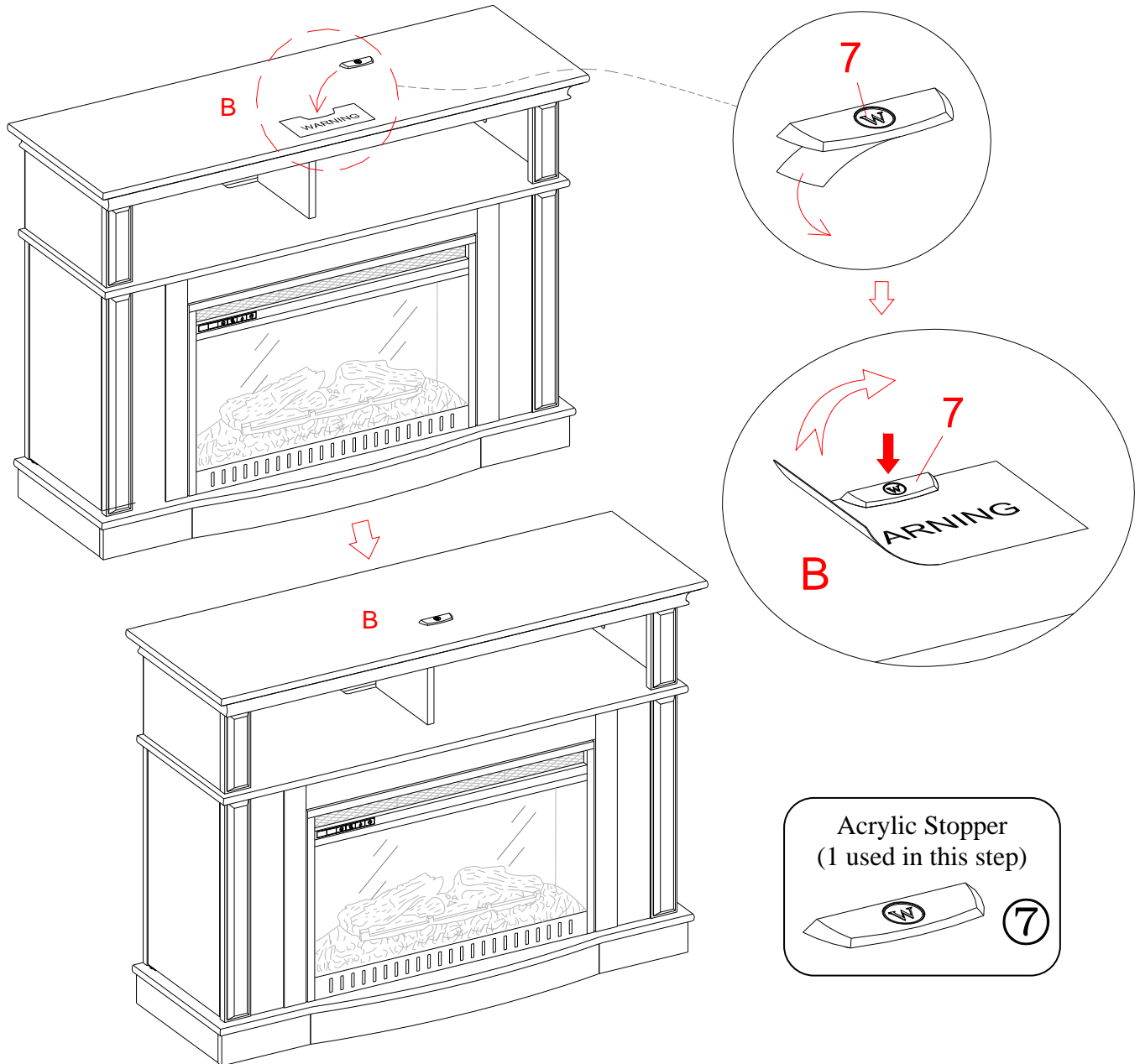
Assembly Instructions



12. Open the side doors and insert the Shelf Supports (6) into the desired holes inside the side compartments. Make sure you place the four Shelf Supports in the same level so the shelf is not tilted. Properly rest the Adjustable Shelves (F) onto the Shelf Supports (6).

Please call for replacement parts or assistance: 1-866-942-5362

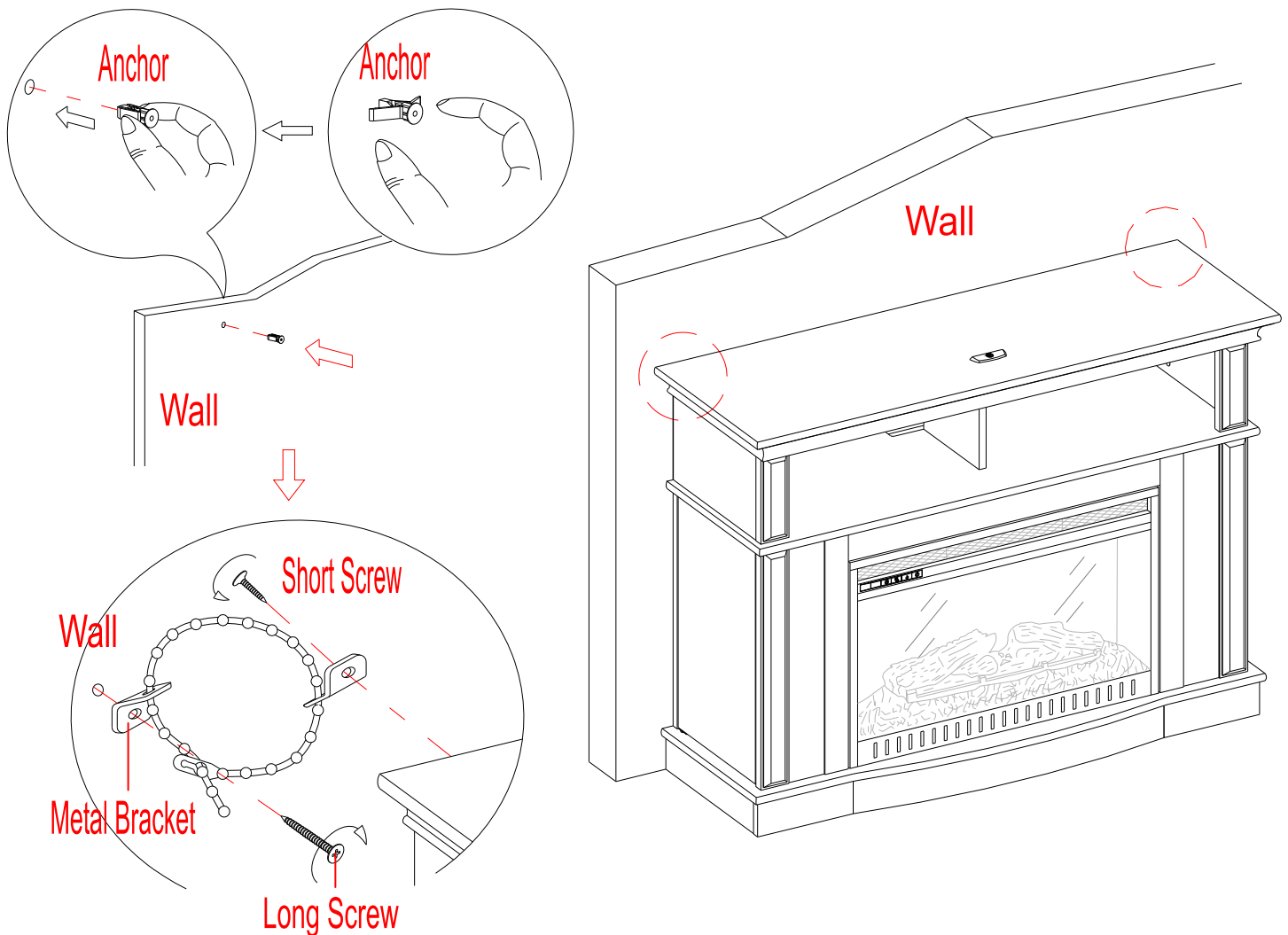
Assembly Instructions



NOTE: You must install the Acrylic TV Stopper to prevent the TV from tipping when placing your flat panel television directly on the Top Panel (B).

13. Remove the tape of the Acrylic Stopper (7) and place it in the cut-out of the acrylic stopper template on the front of the Top Panel (B). Make sure it is properly aligned before applying pressure.
14. Remove the acrylic stopper template carefully, as shown above.

Assembly Instructions



Tools required: Phillips screwdriver, Power Drill, 3/8" Drill Bit and Rubber Mallet.

15. Ask for assistance to position the assembled mantel at the desired location against a wall.
16. Now, follow the instructions printed on the plastic bag containing the Tipping Restraint Hardware Kit to attach the tip-over restraints to the unit and the wall, as shown in the illustration.

NOTE: Young children can be seriously injured by tipping furniture. You must install the Tipping Restraint Hardware with the unit to prevent the unit from tipping, causing any accidents or damage. The tipping restraints are intended only as a deterrent, they are not a substitute for proper adult supervision. The tipping restraints are not earthquake restraints. If you wish to add the extra security of earthquake restraints, they must be purchased and installed separately.

17. Connect the fireplace to a power transformer. Follow the separated operating manual of electric fireplace to control your fireplace.

Please call for replacement parts or assistance: 1-866-942-5362

Whalen Furniture Mfg., Inc.

Page 11

Factory No. 15548

Care and Maintenance

- Use a soft, clean cloth that will not scratch the surface when dusting.
- Use of furniture polishes is not necessary. Should you choose to use polishes, test first in an inconspicuous area.
- Using solvents of any kind on your furniture may damage the finish.
- Never use water to clean your furniture as it may cause damage to the finish.
- Always use coasters under beverage glasses and flowerpots.
- Liquid spills should be removed immediately. Using a soft clean cloth, blot the spill gently. Avoid rubbing.
- Always use protective pads under hot dishes and plates. Heat can cause chemical changes that may create spotting within the furniture finish.
- Stains or marks from crayons or ink markers will be difficult to remove.
- In the event that your furniture is stained or otherwise damaged during use, we recommend that you call a professional to repair your furniture.
- Check bolts/screws periodically and tighten them if necessary.

Further advice about wood furniture care

It is best to keep your furniture in a climate-controlled environment. Extreme temperature and humidity changes can cause fading, warping, shrinking and splitting of wood. It is advised to keep furniture away from direct sunlight as sun may damage the finish.

Proper care and cleaning at home will extend the life of your purchase. Following these important and helpful tips will enhance your furniture as it ages.

Cleaning trim for fireplace

Clean the metal trim using a soft cloth, slightly dampened with citrus oil based product and buff with a clean soft cloth. DO NOT use brass polish or household cleaners as these products will damage the metal trim. Citrus oil based products can be obtained at supermarkets or hardware stores.

A Touch-up Pen has been provided to repair any small nicks or scratches that may occur during assembly or shipping.

We hope you enjoy your purchase for many years.
Thank you for choosing Whalen Furniture!

Please call for replacement parts or assistance: 1-866-942-5362