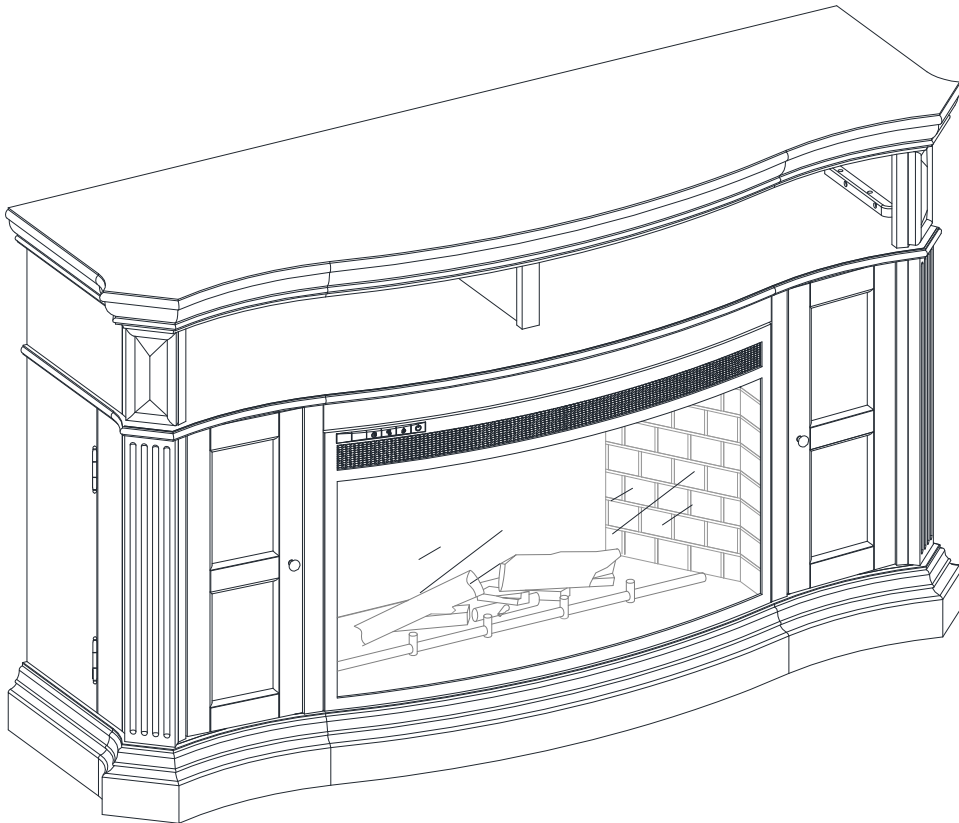




LOT NUMBER: _____
DATE PURCHASED: __/__/__

GRANTVILLE 64" Media Fireplace Model # WS03061433/WS03061533



ADULT ASSEMBLY AND SET-UP REQUIRED

If you have any questions regarding assembly or if parts are missing, **DO NOT** return this item to the store where it was purchased. Please call our customer service number and have your instructions and parts list ready to provide the model name, part name or factory number:

1-866-942-5362

Pacific Standard Time: 8:30 a.m. - 4:30 p.m., Monday - Friday

Or visit our web site 24 hours a day, 7 days a week for product assistance at

www.whalenfurniture.com

Or e-mail your request to **parts@whalenfurniture.com**

**THIS INSTRUCTION BOOKLET CONTAINS IMPORTANT SAFETY INFORMATION.
PLEASE READ AND KEEP FOR FUTURE REFERENCE.**

QUALITY GUARANTEE

We are confident that you will be delighted with your Whalen Furniture purchase.

Should this product be defective in workmanship or materials or fail under normal use, we will repair or replace it for up to one (1) year from date of purchase. Every Whalen Furniture product is designed to meet your highest expectations. We guarantee that you will immediately see the value of our fine furniture.

This warranty gives you specific legal rights and you may also have other rights which vary from province to province (state to state).

Customer Service: 1-866-942-5362

8:30 a.m. - 4:30 p.m., PST, Monday to Friday

www.whalenfurniture.com

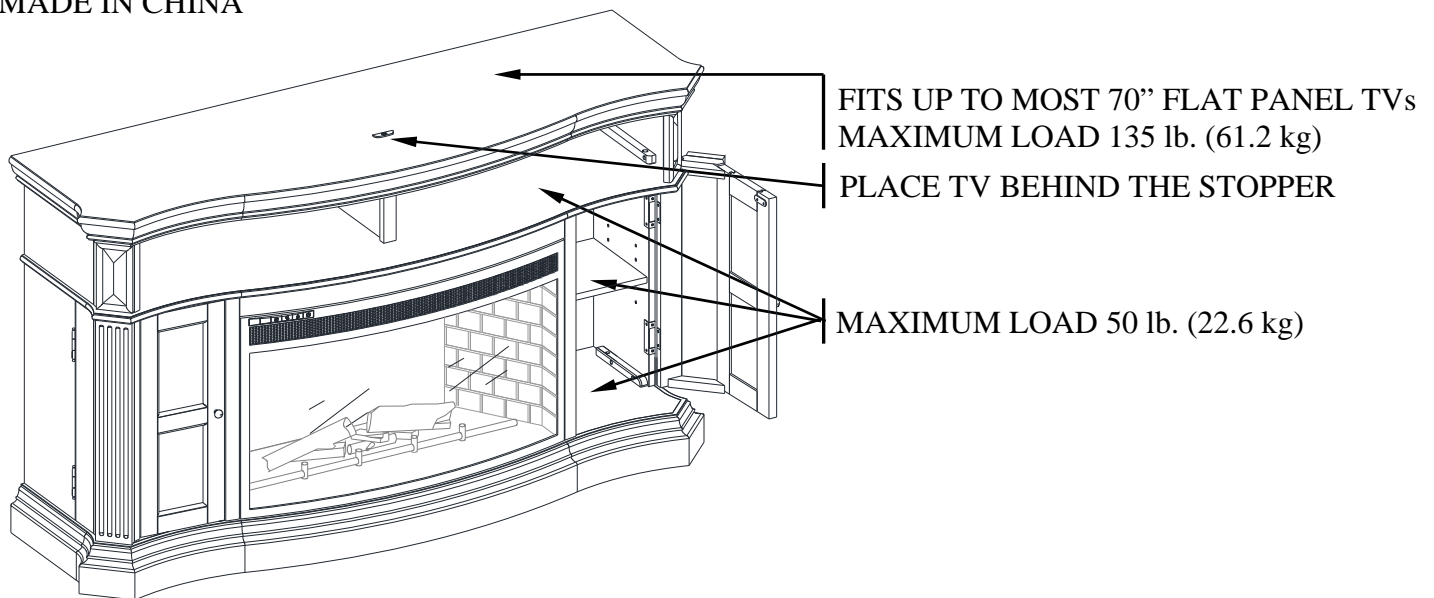
MAXIMUM RECOMMENDED WEIGHT LOADS

MANUFACTURER: Whalen Furniture Mfg., Inc.

CATALOG: GRANTVILLE 64" Media Fireplace (WS03061433/WS03061533)

DATE OF MANUFACTURE: May 2014

MADE IN CHINA



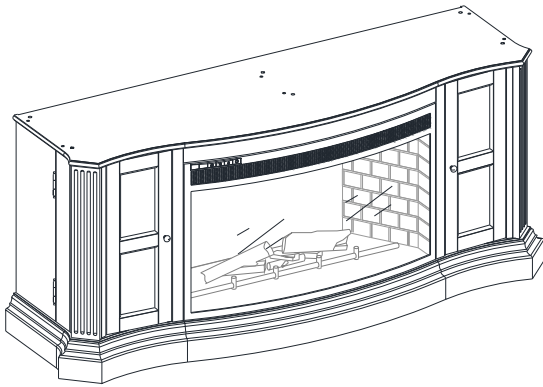
WARNING

THIS UNIT IS NOT INTENDED FOR USE WITH CRT TVS. USE ONLY WITH FLAT PANEL TVS AND AUDIO/VIDEO EQUIPMENT MEETING RECOMMENDED SIZE AND WEIGHT LIMITS. NEVER USE WITH LARGER/HEAVIER THAN RECOMMENDED FLAT PANEL TVS OR EQUIPMENT. TO AVOID INSTABILITY, PLACE FLAT PANEL TV IN THE CENTRE OF THE UNIT; DO NOT ALLOW TV TO OVERHANG UNIT IN ANY DIMENSION, IMPROPERLY POSITIONED FLAT PANEL TVS, OR FLAT PANEL TVS OR OTHER EQUIPMENT THAT EXCEED RECOMMENDED SIZE AND WEIGHT LIMITS COULD FALL OFF OR BREAK THE UNIT, CAUSING POSSIBLE SERIOUS INJURY.

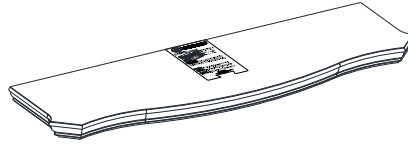
Please call for replacement parts or assistance: 1-866-942-5362

Parts and Hardware List

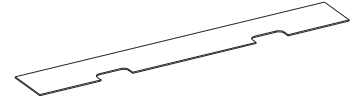
Please read completely through the instructions and verify that all listed parts and hardware are present before beginning assembly.



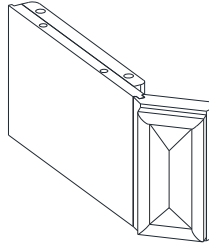
A- Mantel with Fireplace (1)



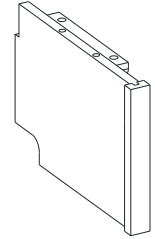
B- Top Panel (1)



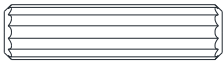
C- Upper Back Panel (1)



D- Side Panel (2)



E- Partition Panel (1)



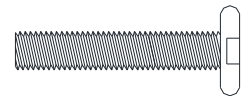
(1) Wood Dowel
(12+1 extra)



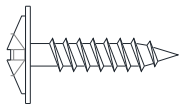
(2) Flat Washer
(12+1 extra)



(3) Lock Washer
(12+1 extra)



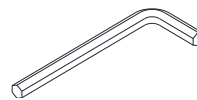
(4) Bolt
(12+1 extra)



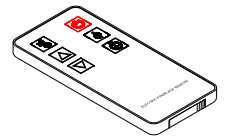
(5) Screw
(14+ 1 extra)



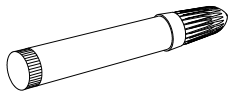
(6) Acrylic Stopper (1)



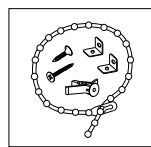
(7) Allen Wrench (1)



(8) Remote Control
with Battery (1)



(9) Touch-up Pen (1)



(10) Tipping Restraint
Hardware Kit (2)
(Included in plastic bag)

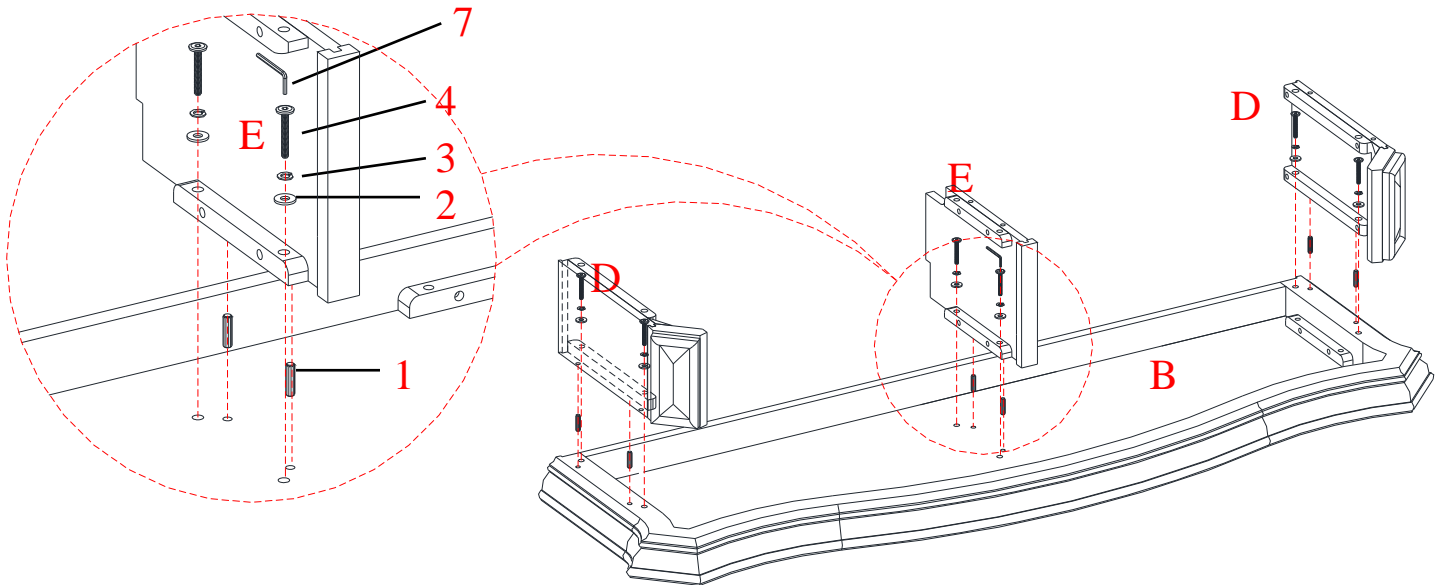
Tools required: Allen wrench (provided) and Phillips screwdriver (not provided).

Please call for replacement parts or assistance: 1-866-942-5362

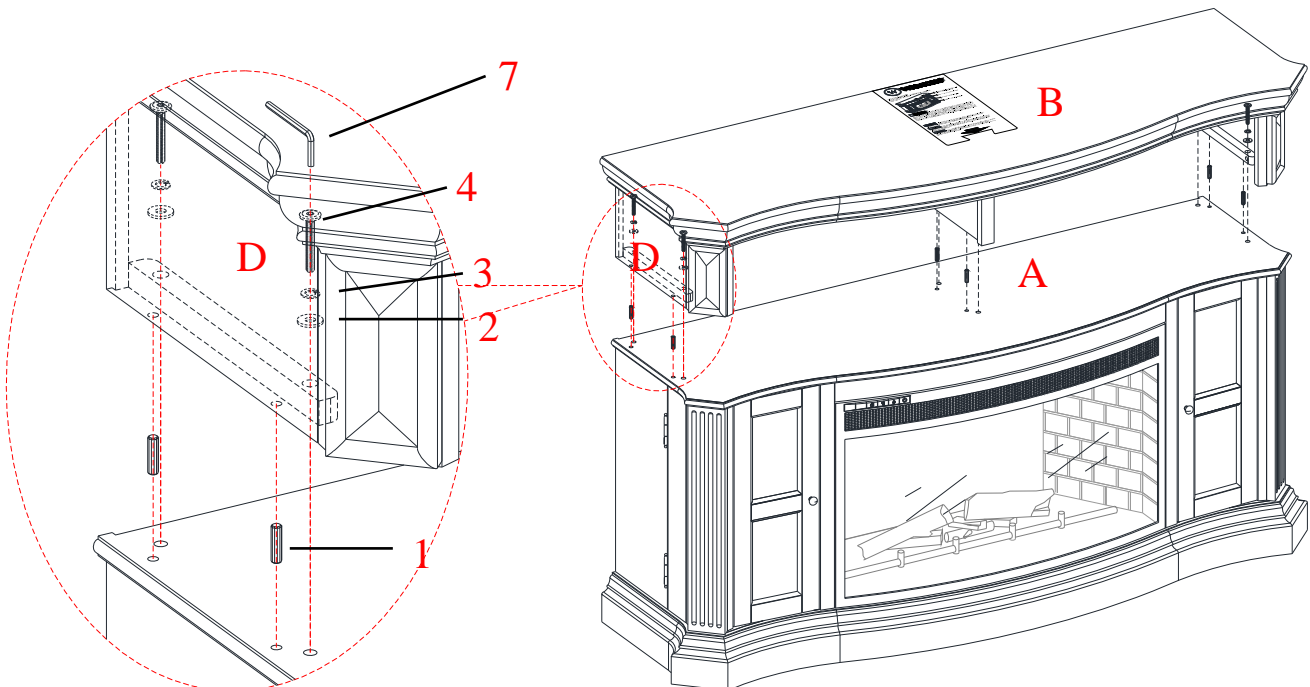
Assembly Instructions

NOTE: Please do not fully tighten all bolts until you finish assembling all parts. Once assembled, go back and fully tighten all bolts. This will make the assembly easier.

1. Unpack the unit and confirm that you have all the hardware and required parts.
2. Insert two wood dowels (1) into the inner holes of side panels (D) and the partition panel (E) and attach them to the top panel (B) by using the bolt (4) with lock washer (3) and flat washer (2) through each hole on the cleats and screw into place. **DO NOT** fully tighten the bolts. As shown.



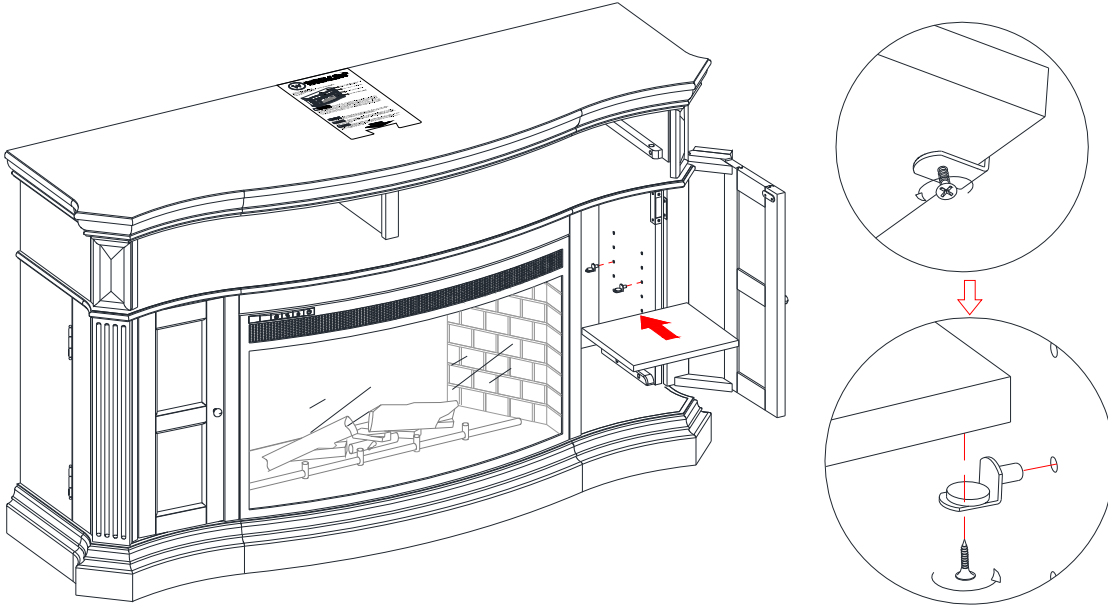
3. Insert six wood dowels (1) into non-threaded holes on the top of the mantel (A). Position the last assembly onto the inserted wood dowels (1) and fasten them in place with six bolts (4) and six washers (2 and 3). As shown. Tighten all the bolts with the provided Allen wrench (7).



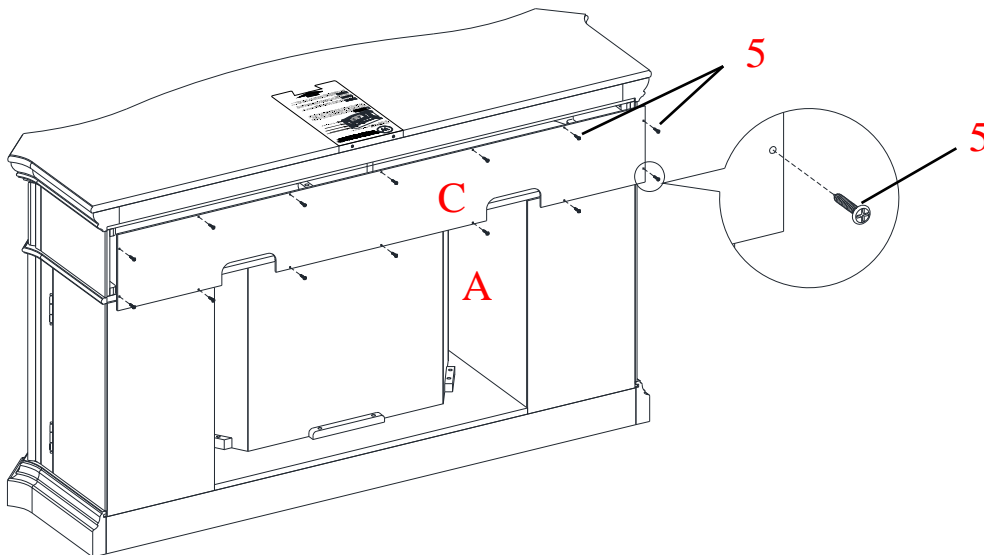
Please call for replacement parts or assistance: 1-866-942-5362

Assembly Instructions

4. The Adjustable Wood Shelf is pre-installed for shipping. If the shelf position is not to your liking, you will need to reposition the shelf by following the steps below.
 - a. Look under the Shelf, and locate the Wood Screws holding the Shelf to the Shelf Supports.
 - b. Remove the Wood Screws from each Shelf Support with a Phillips screwdriver.
 - c. Remove the Adjustable Shelf from the Pier Unit.
 - d. Remove the Shelf Supports from the Pier Unit and re-position them in the desired location. Make sure you place the Shelf Supports in the same level so the Shelf is not tilted.
 - e. Place the Adjustable Shelf back onto the newly relocated Shelf Supports.
 - f. Using the Phillips screwdriver, reinstall the Wood Screws through the Shelf Supports and into the Shelf.



5. Attach the upper back panel (C) to the back of assembled console and the mantel (A) by using the Screws (5) through the pilot holes. As shown.

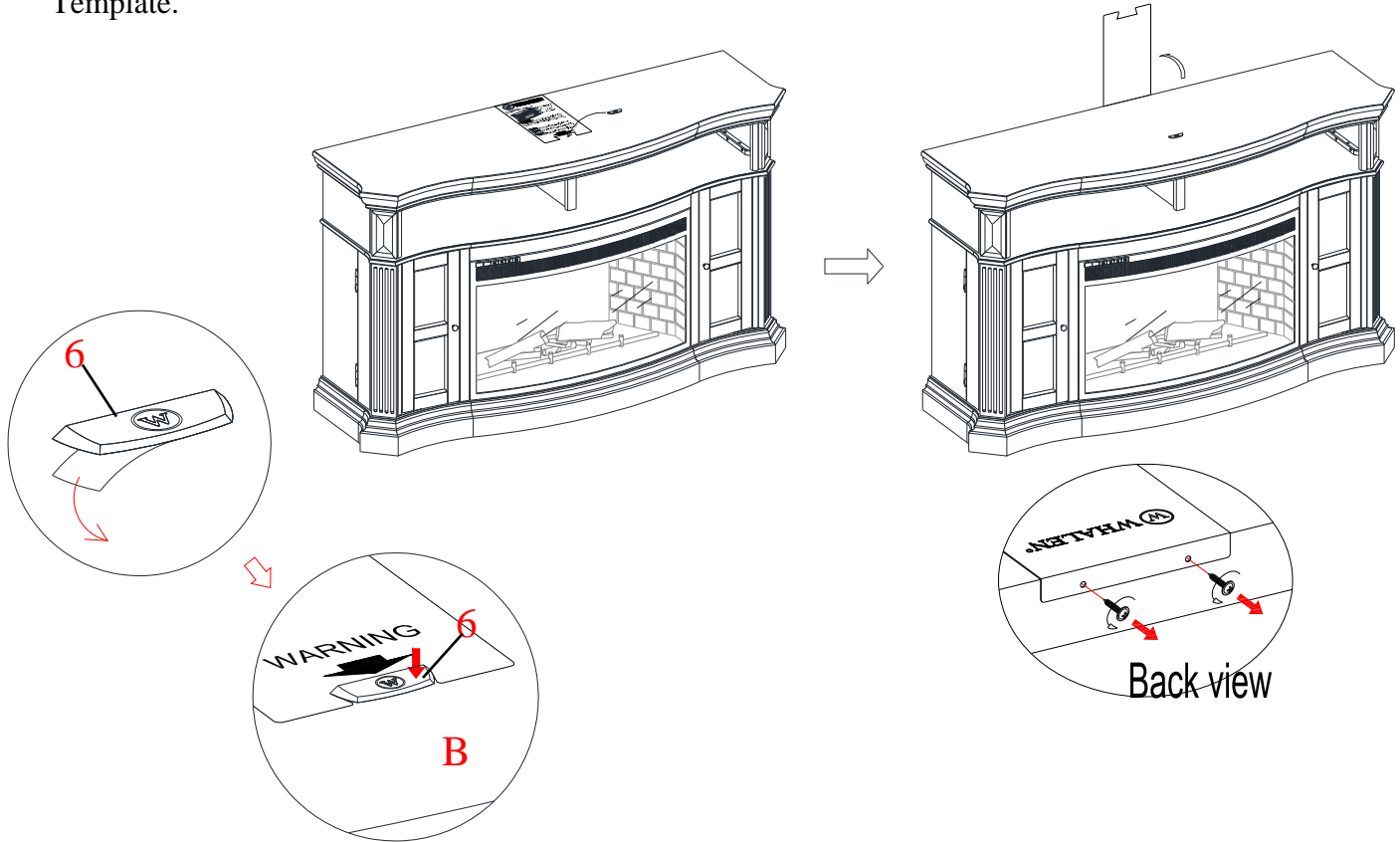


NOTE: You must install the Acrylic TV Stopper to prevent TV from tipping when placing your flat panel television on the table-top.

Please call for replacement parts or assistance: 1-866-942-5362

Assembly Instructions

6. Ask for assistance to place the assembled fireplace near the final installation location.
7. Remove the tape of the Acrylic Stopper (6) and place it in the cut-out of the Acrylic Stopper Template on the Top Panel (B). Make sure that it is properly aligned before applying pressure.
8. At the back of the Top Panel (B), carefully unscrew the two wood screws to remove the Acrylic Stopper Template.



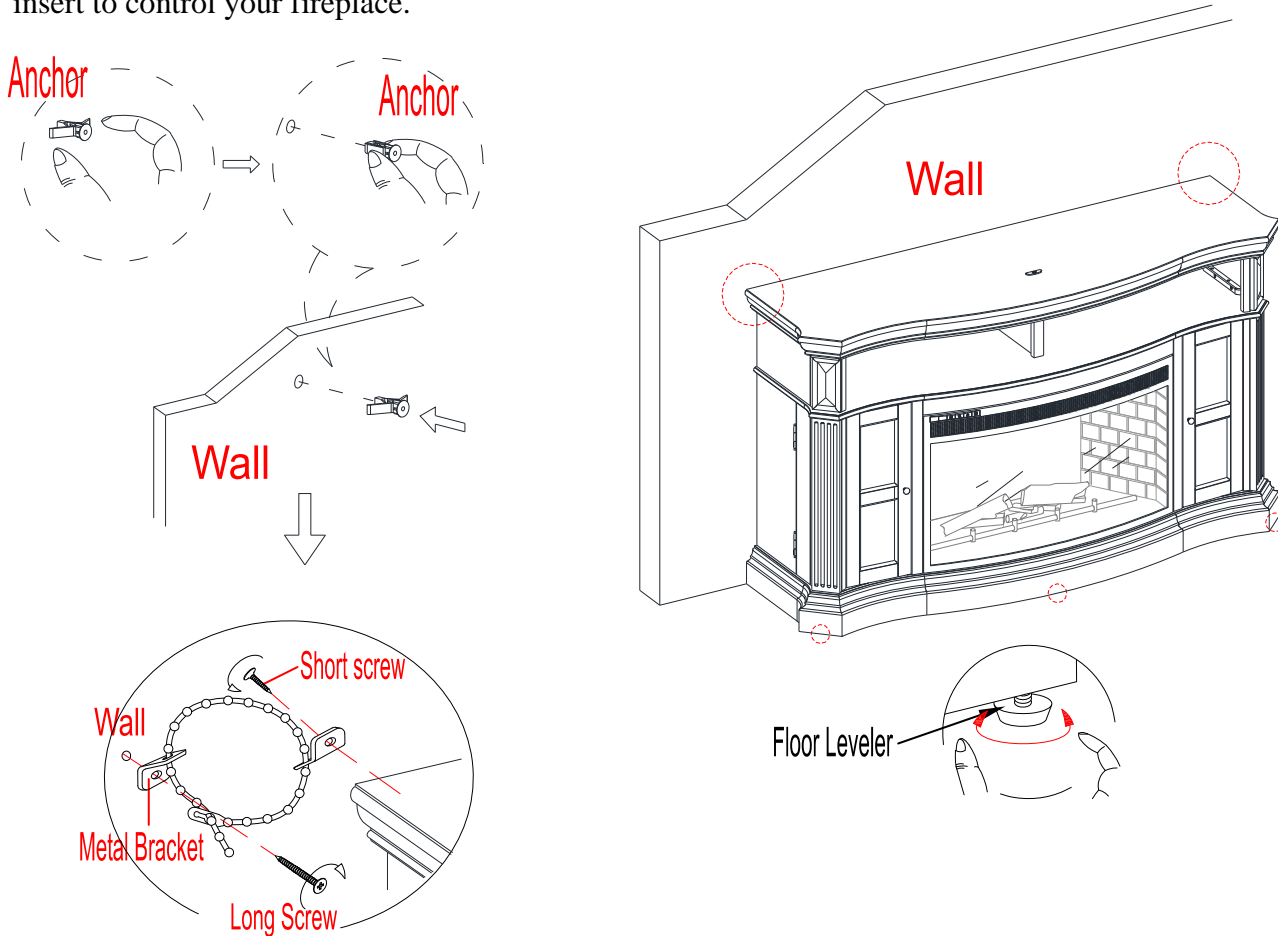
9. Ask for assistance to position the assembled fireplace at the desired location against a wall. In case of uneven floor, floor levelers are provided at the bottom of the mantel. If necessary, adjust the floor levelers by hand to correct tilting, until the unit is level.
10. Now, follow the instructions printed on the plastic bag containing the Tipping Restraint Hardware to attach the tip-over restraint to the unit and the wall.

NOTE: Young children can be seriously injured by tipping furniture. You must install the Tipping Restraint Hardware with the unit to prevent the unit from tipping, causing any accidents or damage. The tipping restraints are intended only as a deterrent, they are not a substitute for proper adult supervision. The tipping restraints are not earthquake restraints. If you wish to add the extra security of earthquake restraints, they must be purchased and installed separately.

Please call for replacement parts or assistance: 1-866-942-5362

Assembly Instructions

11. Connect the fireplace to the power transformer. Follow the separated operating manual of electric fireplace insert to control your fireplace.



Tools required: Phillips Screwdriver, Power Drill, 3/8" Drill Bit and Rubber Mallet.

Care and Maintenance

- Use a soft, clean cloth that will not scratch the surface when dusting.
- Use of furniture polishes is not necessary. Should you choose to use polishes, test first in an inconspicuous area.
- Using solvents of any kind on your furniture may damage the finish.
- Never use water to clean your furniture as it may cause damage to the finish.
- Always use coasters under beverage glasses and flowerpots.
- Liquid spills should be removed immediately. Using a soft clean cloth, blot the spill gently. Avoid rubbing.
- Always use protective pads under hot dishes and plates. Heat can cause chemical changes that may create spotting within the furniture finish.
- Stains or marks from crayons or ink markers will be difficult to remove.
- In the event that your furniture is stained or otherwise damaged during use, we recommend that you call a professional to repair your furniture.
- Check bolts/screws periodically and tighten them if necessary.

Please call for replacement parts or assistance: 1-866-942-5362

Further advice about wood furniture care

It is best to keep your furniture in a climate-controlled environment. Extreme temperature and humidity changes can cause fading, warping, shrinking and splitting of wood. It is advised to keep furniture away from direct sunlight as sun may damage the finish.

Proper care and cleaning at home will extend the life of your purchase. Following these important and helpful tips will enhance your furniture as it ages.

Cleaning trim for fireplace

Clean the metal trim using a soft cloth, slightly dampened with citrus oil based product and buff with a clean soft cloth. DO NOT use brass polish or household cleaners as these products will damage the metal trim. Citrus oil based products can be obtained at supermarkets or hardware stores.

A Touch-up Pen has been provided to repair any small nicks or scratches that may occur during assembly or shipping.

We hope you enjoy your purchase for many years.
Thank you for choosing Whalen Furniture!

