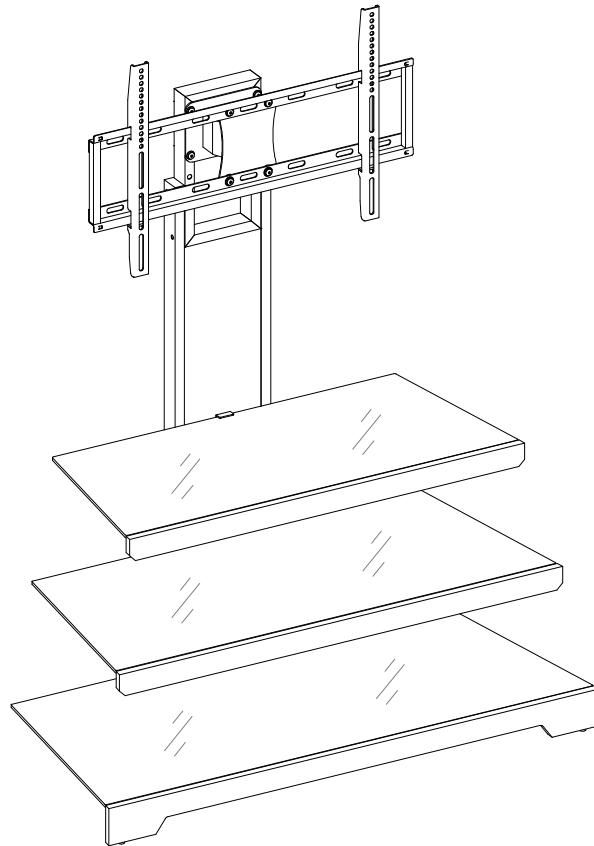




LOT NUMBER: _____
DATE PURCHASED: __/__/__

Flat Panel Console

Model # PRO41-10



ADULT ASSEMBLY REQUIRED

If you have any questions regarding assembly or if parts are missing, DO NOT return this item to the store where it was purchased. Please call our toll-free customer service number and have your instructions and parts list ready to provide the model name, part name or factory number:

1-866-942-5362

Pacific Standard Time: 8:30 a.m. - 4:30 p.m., Monday - Friday

Or visit our website 24 hours a day, 7 days a week for product assistance at

www.whalenfurniture.com

Or e-mail your request to parts@whalenfurniture.com

**THIS INSTRUCTION BOOKLET CONTAINS IMPORTANT SAFETY INFORMATION.
PLEASE READ AND KEEP FOR FUTURE REFERENCE.**

Whalen Furniture Manufacturing

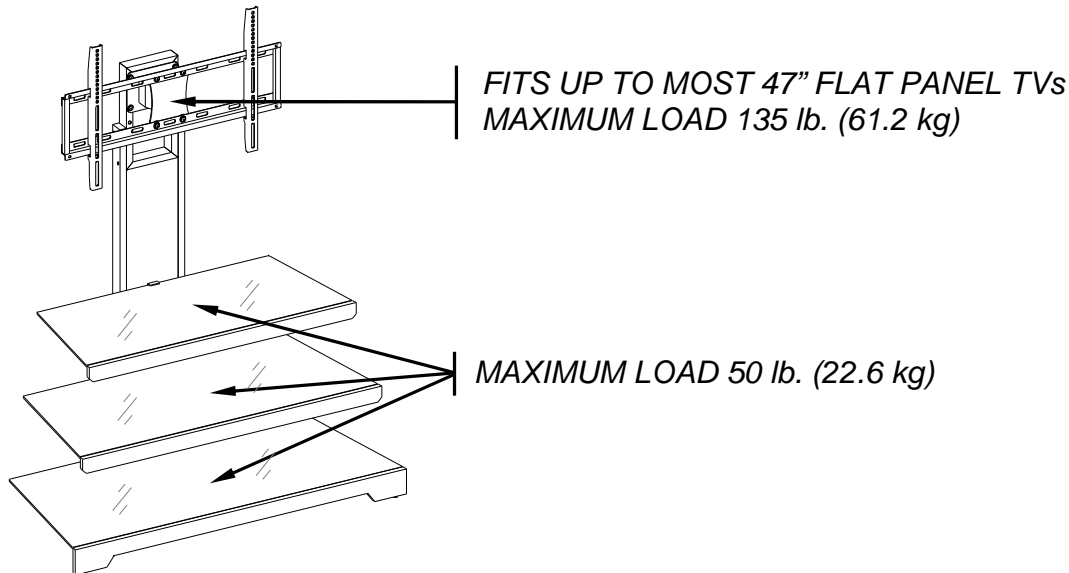
Page 1

Factory # 10944

Date 2015-07-09 Rev. 2 Factory: FOCIDI

MAXIMUM RECOMMENDED WEIGHT LOADS

MANUFACTURER: Whalen Furniture Manufacturing
 CATALOG: Flat Panel Console (PRO41-10)
 DATE OF MANUFACTURE: July 2015
 MADE IN CHINA



⚠ WARNING

THIS UNIT IS NOT INTENDED FOR USE WITH CRT TVS. USE ONLY WITH FLAT PANEL TVS AND AUDIO/VIDEO EQUIPMENT MEETING RECOMMENDED SIZE AND WEIGHT LIMITS. NEVER USE WITH LARGER/HEAVIER THAN RECOMMENDED FLAT PANEL TVS OR EQUIPMENT. TO AVOID INSTABILITY, PLACE FLAT PANEL TV IN THE CENTRE OF THE UNIT; THE BASE OF THE TELEVISION MUST BE ABLE TO REST ON THE SUPPORTING SURFACE OF THE UNIT WITHOUT OVER-HANGING THE EDGES. IMPROPERLY POSITIONED FLAT PANEL TVS, OR FLAT PANEL TVS OR OTHER EQUIPMENT THAT EXCEED RECOMMENDED SIZE AND WEIGHT LIMITS COULD FALL OFF OR BREAK THE UNIT, CAUSING POSSIBLE SERIOUS INJURY.

GENERAL INFORMATION, TIPS and TRICKS

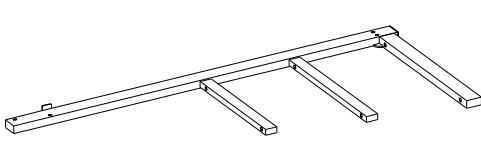
1. Please read the Assembly Instructions prior to assembling this product.
2. Remove all hardware from the box and sort by size.
3. Check to see that all hardware and parts are present BEFORE assembling.
4. Ask a friend to assist you with the assembly of this furniture.
5. To avoid damage, assemble the product on a sturdy, level and protective surface.
6. Please wait until all steps are completed before fully tightening bolts.
7. Make sure all bolts are tightly fastened before the unit is used.

This product is sold with one set of Tipping Restraint Hardware kit. You must install the Tipping Restraint Hardware between the wall and the TV console to prevent any accidents or damages. When properly installed, this restraint can provide protection against the unexpected tipping of the unit due to small tremors, bumps or climbing. The restraint is only a deterrent and is not a substitute for proper adult supervision. Use of tip-over restraints may only reduce, but not eliminate, the risk of tip-over.

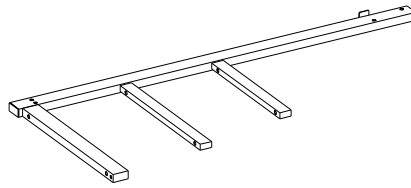
Please call for replacement parts or assistance: [1-866-942-5362](tel:1-866-942-5362)

Parts and Hardware List

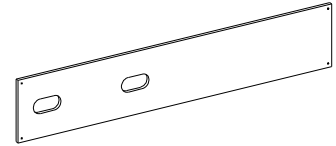
Please read completely through the instructions and verify that all listed parts and hardware are present before beginning assembly.



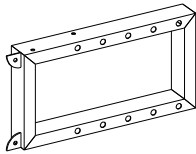
A- Left Side Frame (1)



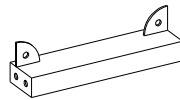
B- Right Side Frame (1)



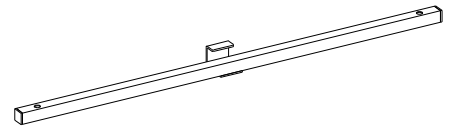
C- Back Panel (1)



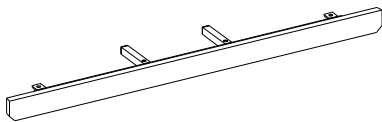
D - Back Top Frame (1)



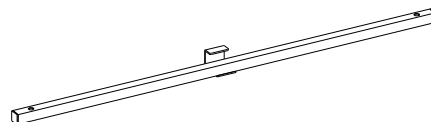
E- Back Bottom Stretcher (1)



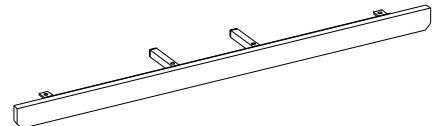
F- Top Crossbar (1)



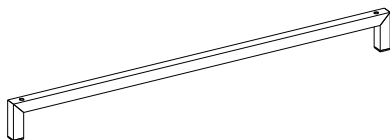
G- Top Stringer (1)



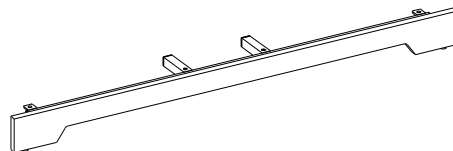
H- Middle Crossbar (1)



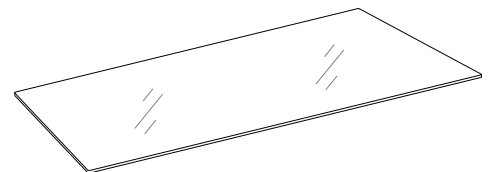
I- Middle Stringer (1)



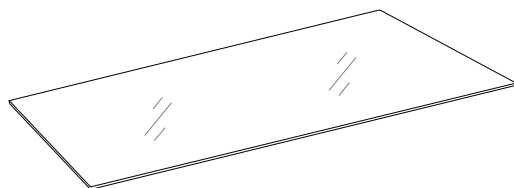
J- Bottom Brace (1)



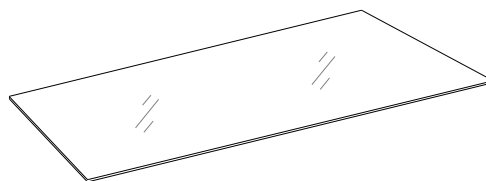
K- Bottom Stringer (1)



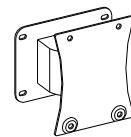
L- Top Glass (1)



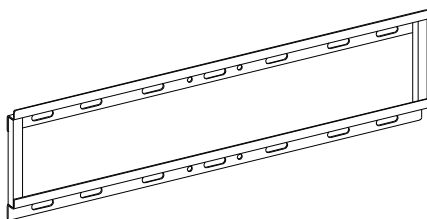
M- Middle Glass Shelf (1)



N- Bottom Glass Shelf (1)



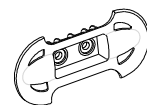
O- Swiveling Bracket (1)



P- Mounting Frame (1)



Q- Monitor Bracket (2)

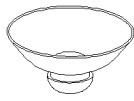


R- Cable Wheel (2)

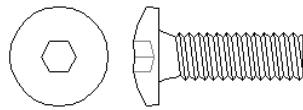
Please call for replacement parts or assistance: 1-866-942-5362

Parts and Hardware List

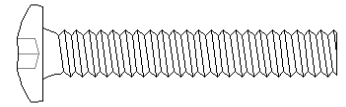
Please read completely through the instructions and verify that all listed parts and hardware are present before beginning assembly.



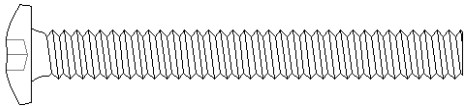
(1) Suction Cup (18+1 extra)



(2) 3/4" Bolt (8+1 extra)



(3) 1-5/8" Bolt (16+1 extra)



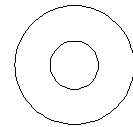
(4) 2-1/4" Bolt (8+1 extra)



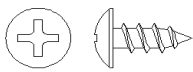
(5) Hex Nut (8+1 extra)



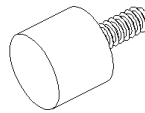
(6) Lock Washer (32+1 extra)



(7) Flat Washer (36+1 extra)



(8) #4 x 10 mm Screw (4+1 extra)



(9) Large Floor Leveler (2)



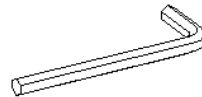
Touch-up Pen (1)



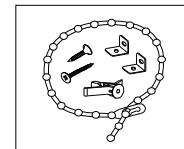
Open Wrench (1)



4 mm Allen Wrench (2)

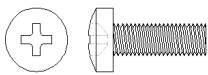


3/16" Allen Wrench (1)

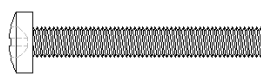


Tipping Restraint Hardware Kit (1)
(Inside Plastic Bag)

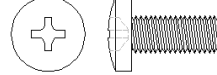
TV Mounting Kit



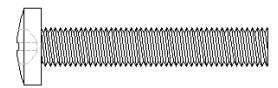
M4 x 12 Bolt (4)



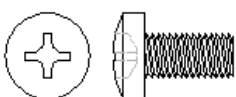
M4 x 30 Bolt (4)



M5 x 12 Bolt (4)



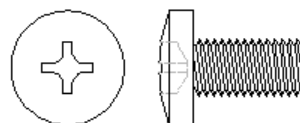
M5 x 30 Bolt (4)



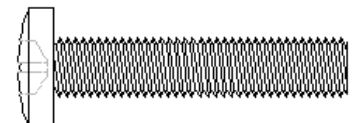
M6 x 12 Bolt (4)



M6 x 35 Bolt (4)



M8 x 16 Bolt (4)



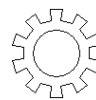
M8 x 40 Bolt (4)



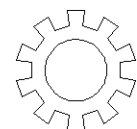
M4 Lock Washer (4)



M5 Lock Washer (4)



M6 Lock Washer (4)



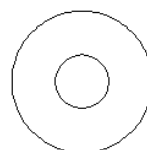
M8 Lock Washer (4)



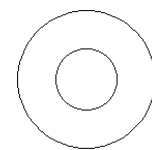
Large Spacer (4)



Small Spacer (4)



M4/M5 Flat Washer (8)

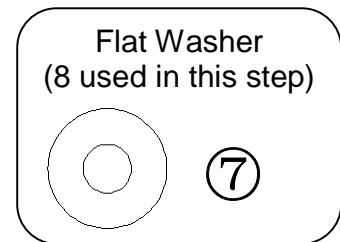
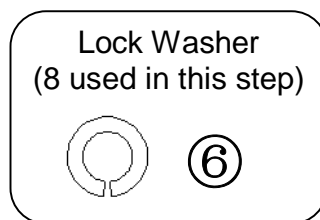
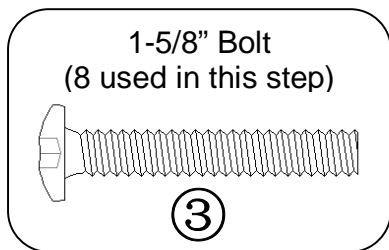
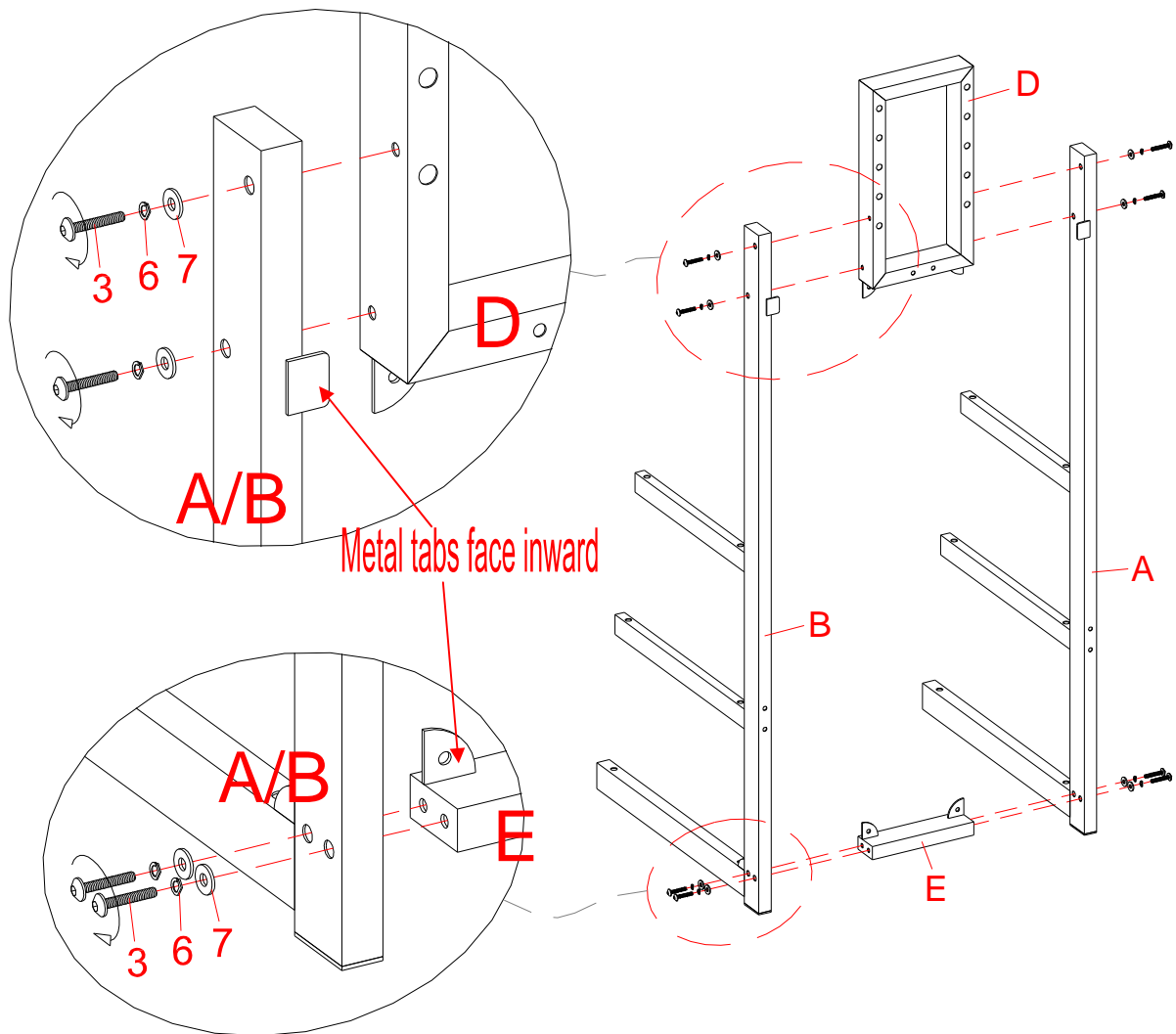


M6/M8 Flat Washer (4)

Tools required: Allen wrench, open wrench (provided) and Phillips screwdriver (not provided).

Please call for replacement parts or assistance: 1-866-942-5362

Assembly Instructions

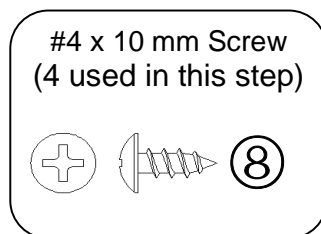
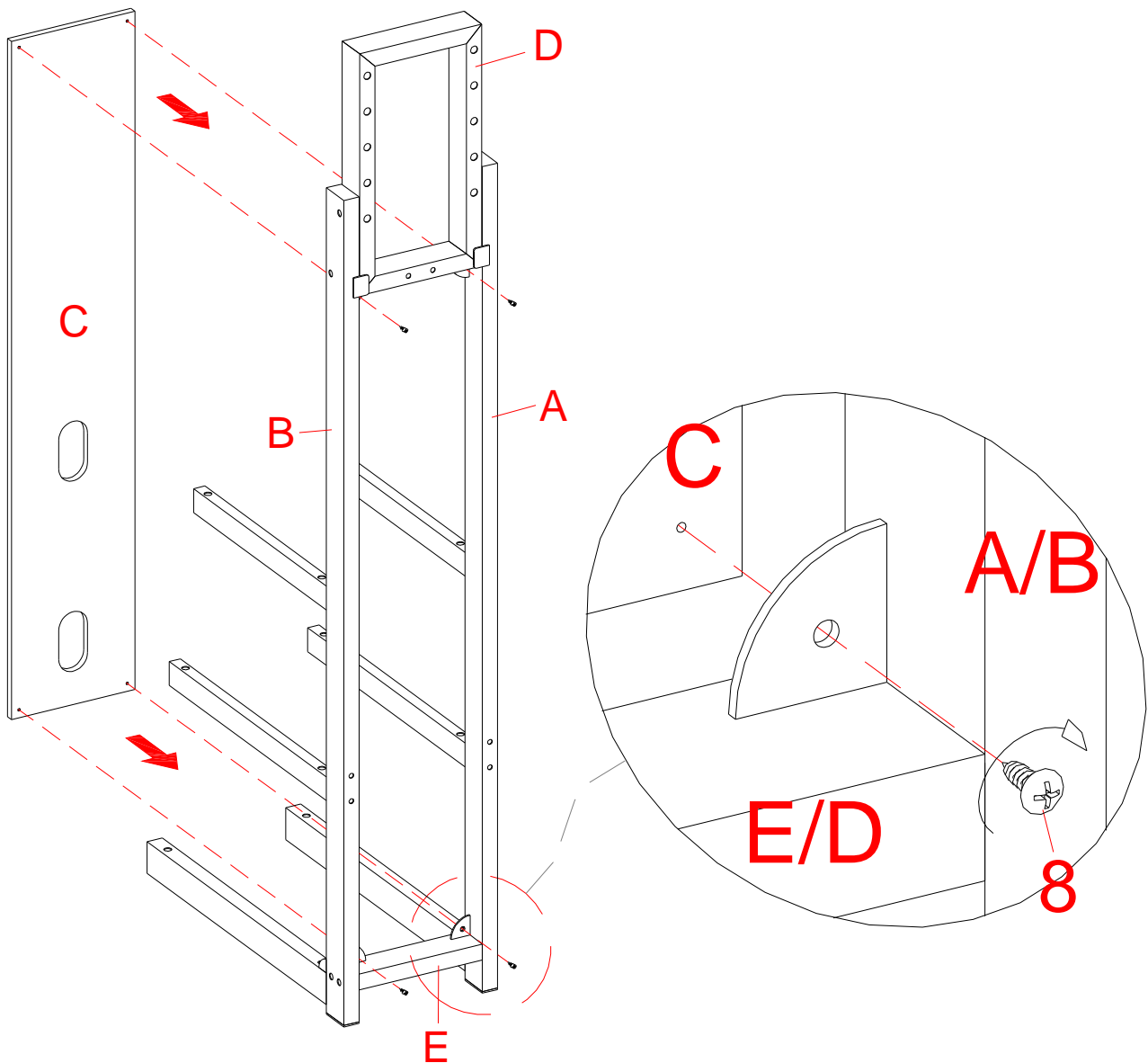


NOTE: Please do not fully tighten all bolts until you finish assembling all parts. Once assembled, go back and fully tighten all bolts. This will make it easier during assembly of the unit.

1. Unpack the unit and confirm that you have all the hardware and required parts listed.
2. Attach the Back Top Frame (D) and the Back Bottom Stretcher (E) between the Left and Right Side Frames (A and B) by inserting the 1-5/8" Bolts (3) with Lock Washers (6) and Flat Washers (7) through the pre-drilled holes of side frame and screw into place. Make sure that the metal brackets on the Back Bottom Stretcher (E) face up and point forward. Tighten the bolts with the enclosed 4 mm Allen wrench.

Please call for replacement parts or assistance: 1-866-942-5362

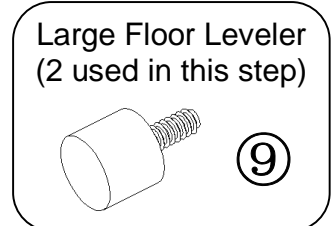
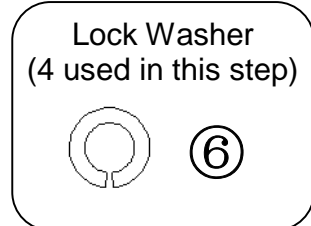
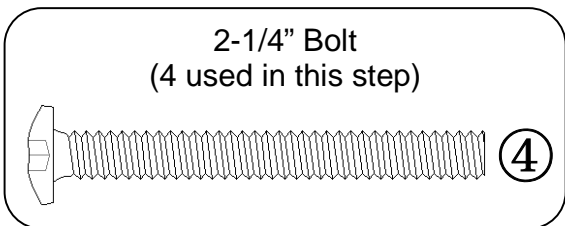
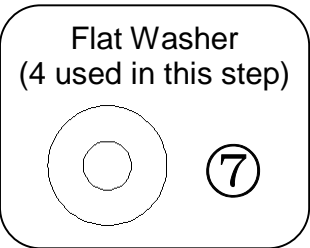
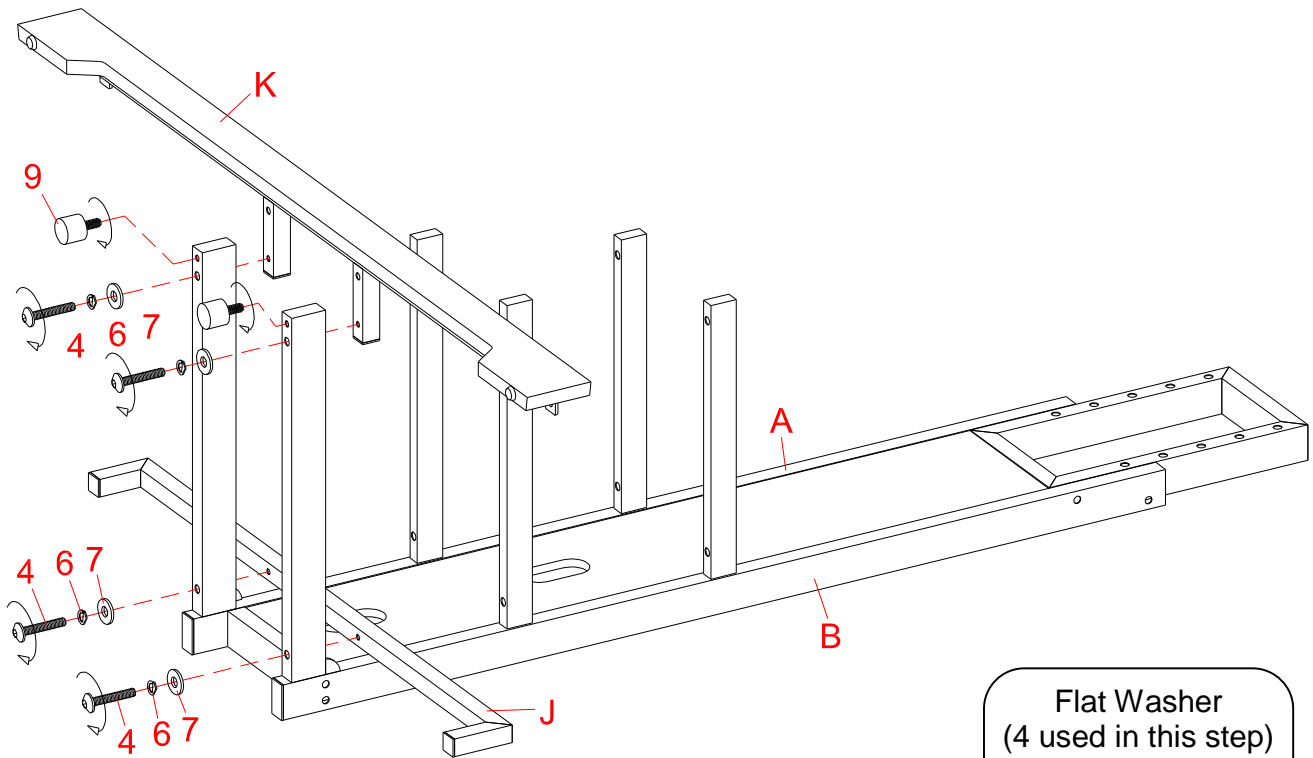
Assembly Instructions



3. Pick up the Back Panel (C) and fit it between the front of the Left and Right Side Frames (A and B). Insert and screw four 10 mm Screws (8) through the corner brackets to secure the Back Panel in place. Tighten the screws with a Phillips screwdriver.

Please call for replacement parts or assistance: 1-866-942-5362

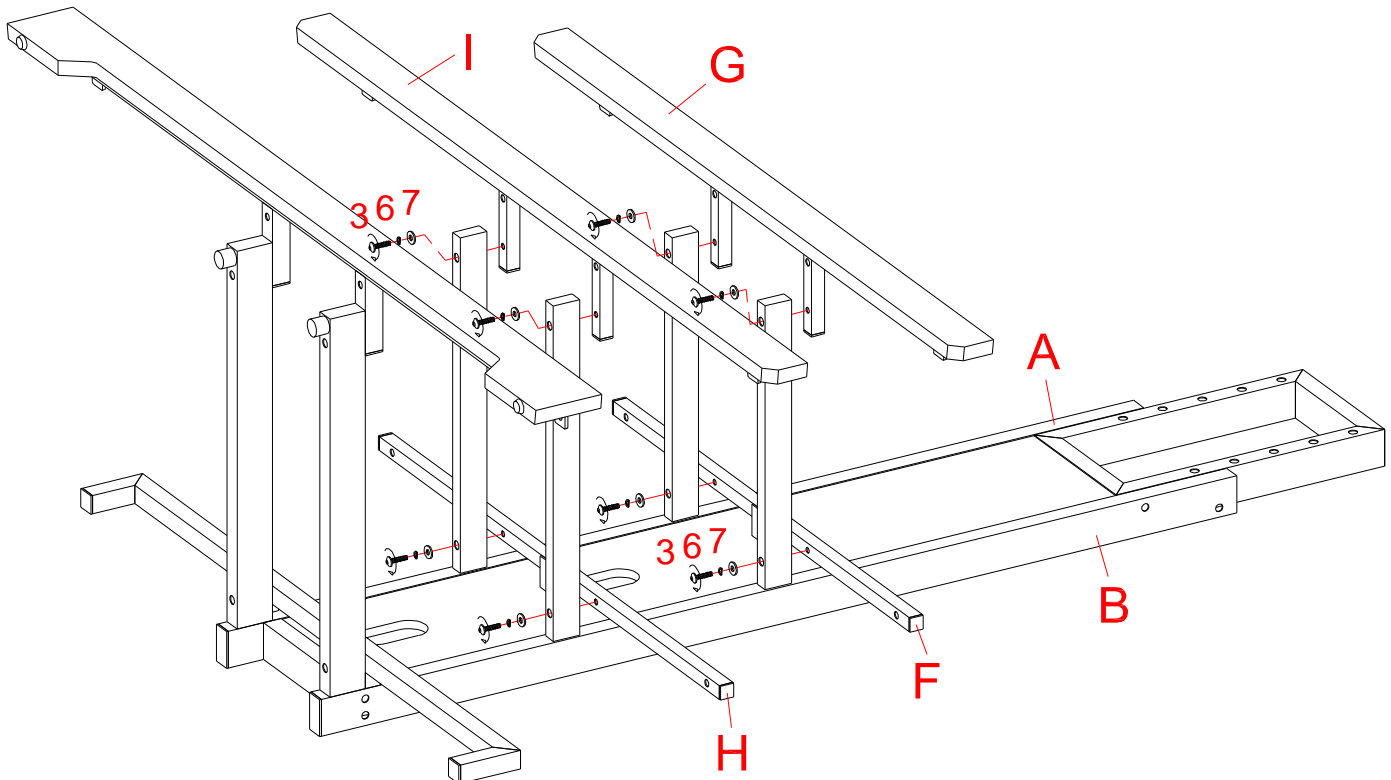
Assembly Instructions



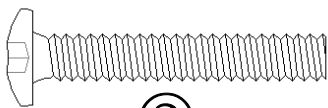
4. Lay the unit down on a level and protective surface, as shown.
5. Attach the Bottom Brace (J) and the Bottom Stringer (K) to the bottom rail of the Left and Right Side Frames (A and B) with four 2-1/4" Bolts (4) and the Washers (6 and 7), as shown.
6. Screw the Large Floor Levelers (9) into the front sockets underneath the bottom rail of the Left and Right Side Frames (A and B). The Levelers will be used later to ensure that the entire stand is level.

Please call for replacement parts or assistance: 1-866-942-5362

Assembly Instructions



1-5/8" Bolt
(8 used in this step)



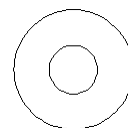
③

Lock Washer
(8 used in this step)



⑥

Flat Washer
(8 used in this step)

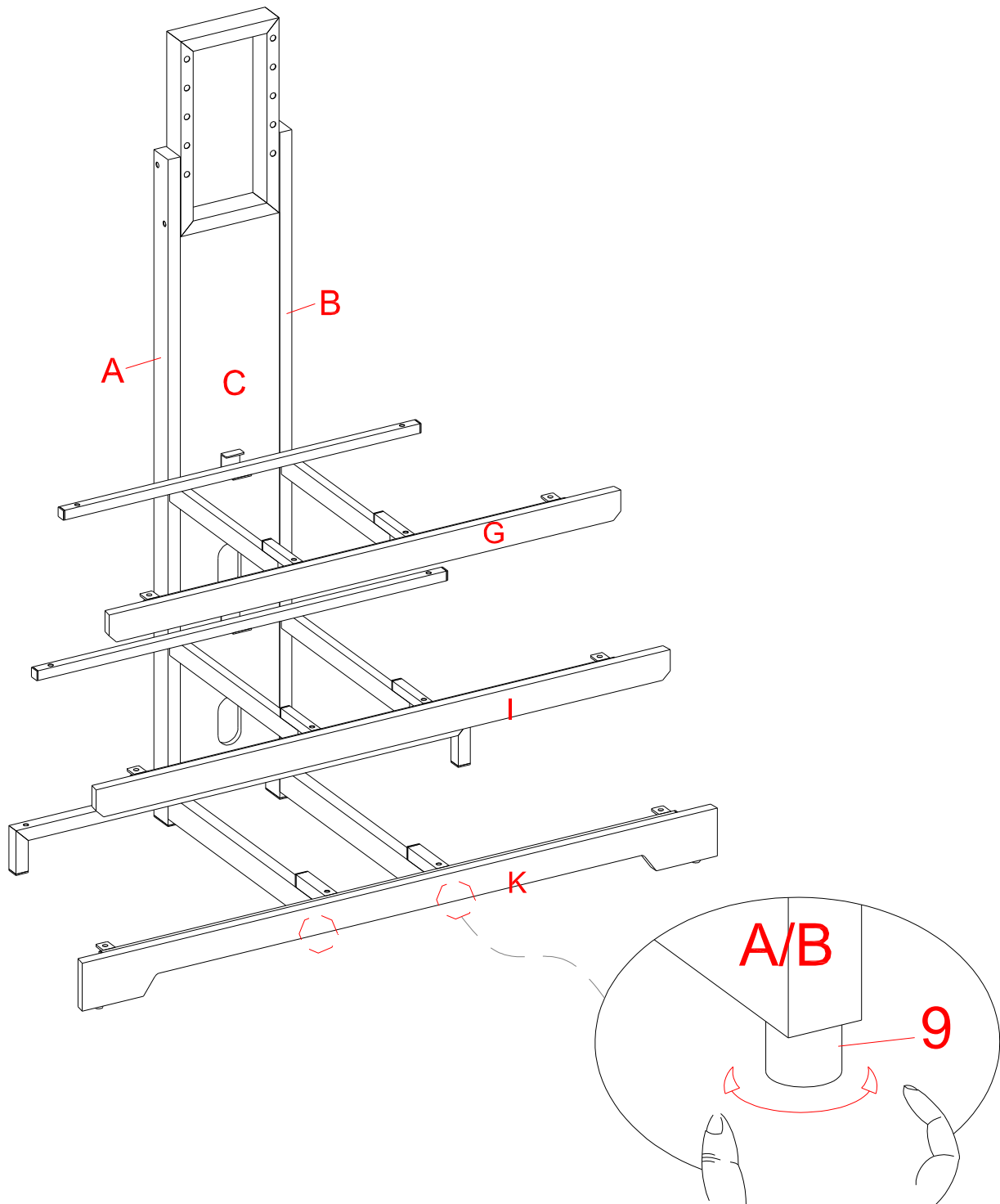


⑦

7. Attach the Middle Crossbar (H) and the Middle Stringer (I) to the middle rail of the Left and Right Side Frames (A and B) by threading the 1-5/8" Bolts (3) with the Washers (6 and 7) through the pre-drilled holes of the middle rails and screw in place. Tighten the bolts with the enclosed 4 mm Allen wrench.
8. Repeat last step to attach the Top Crossbar (F) and the Top Stringer (G) to the top rail of the Left and Right Side Frames (A and B).

Please call for replacement parts or assistance: 1-866-942-5362

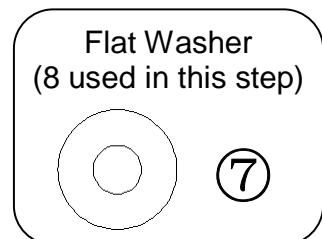
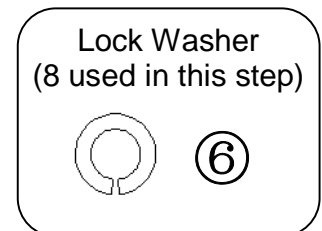
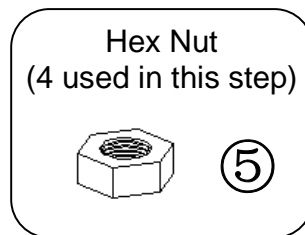
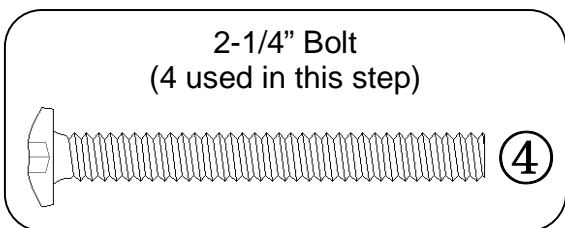
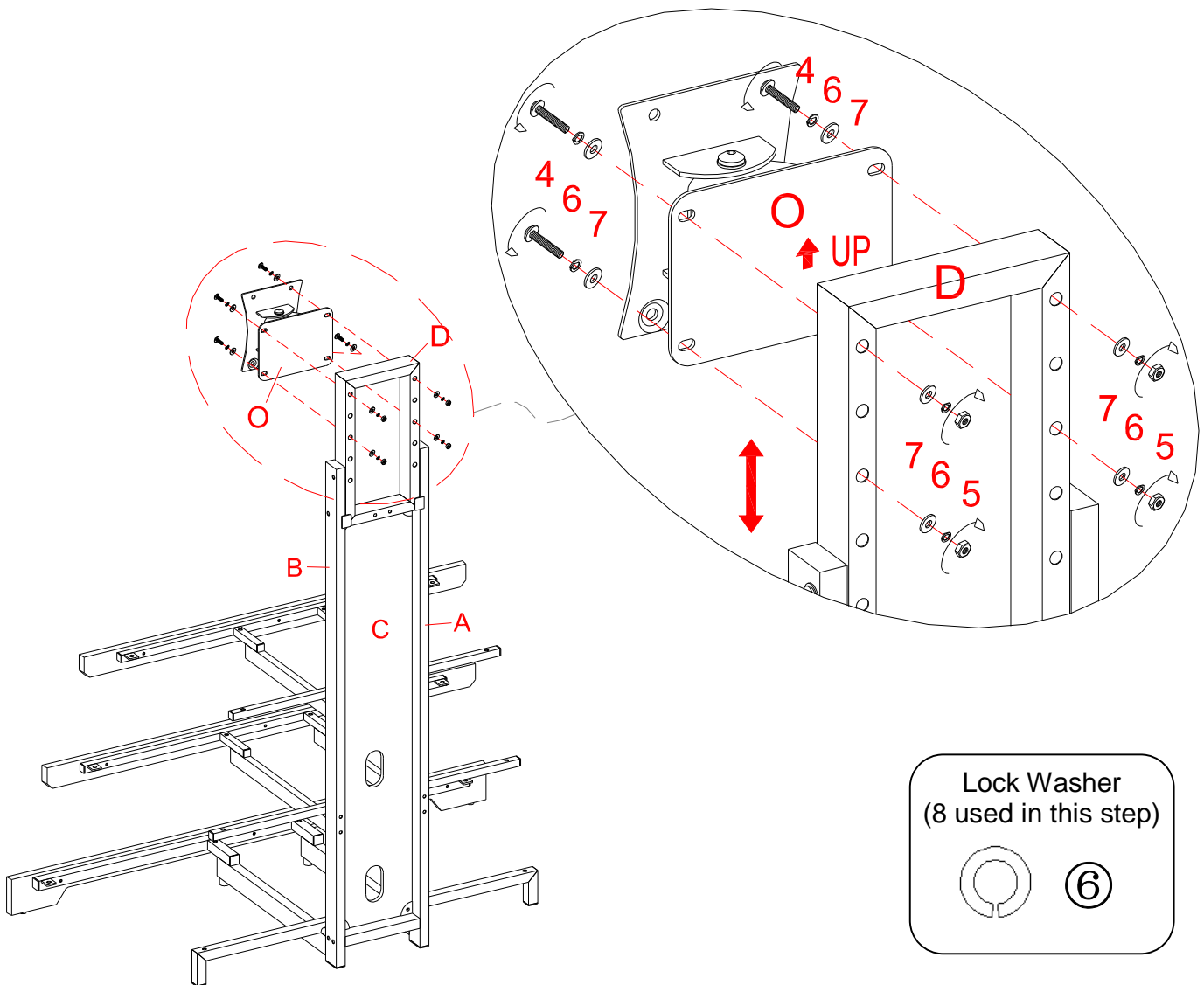
Assembly Instructions



9. With the help of an assistant, turn the stand upright.

10. Adjust the Large Floor Levelers (9) installed during Step 6 to level the unit as shown.

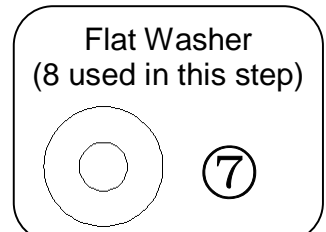
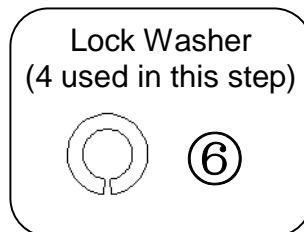
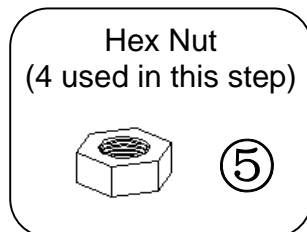
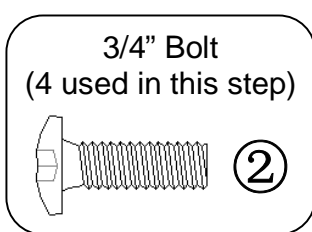
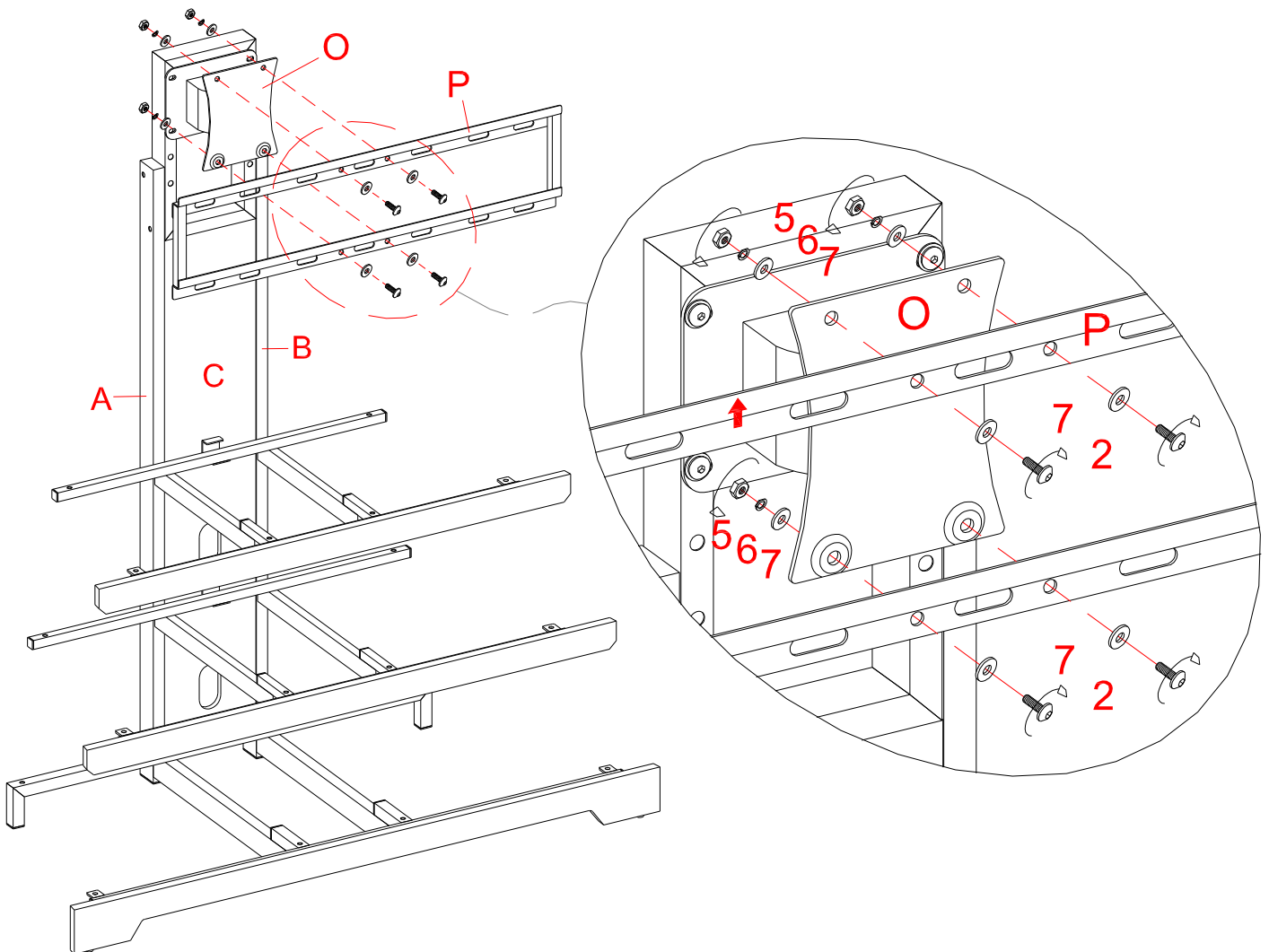
Assembly Instructions



11. Attach the Swiveling Bracket (O) to the top of the Back Top Frame (D) with the pivoting bolt head up, by threading four 2-1/4" Bolts (4) with the Washers (6 and 7) through the bracket holes and the Back Top Frame and then secure them with the Hex Nuts (5). Securely tighten the nuts with the provided open wrench and 4 mm Allen wrench.

NOTE: The Back Top Frame can provide three height options for your TV set. Refer to your TV size and adjust the Swiveling Bracket to the desired height for optimum viewing.

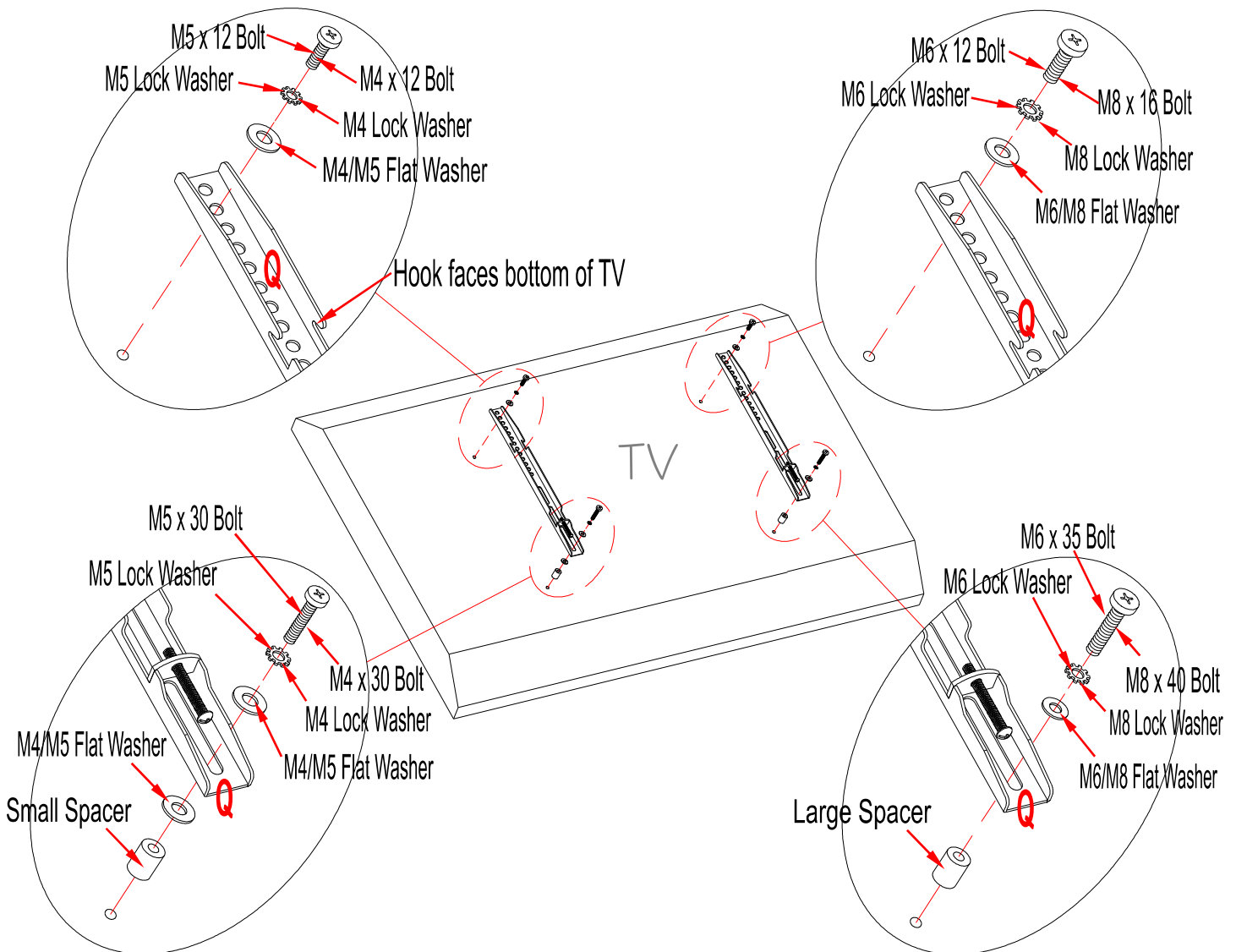
Assembly Instructions



12. Attach the Mounting Frame (P) to the Swiveling Bracket (O) using four 3/4" Bolts (2) with the Washers (6 and 7) and secure them with the Hex Nuts (5). Securely tighten the nuts with the provided open wrench and 4 mm Allen wrench.

Please call for replacement parts or assistance: 1-866-942-5362

Mounting the Monitor Brackets to a television with a flat back

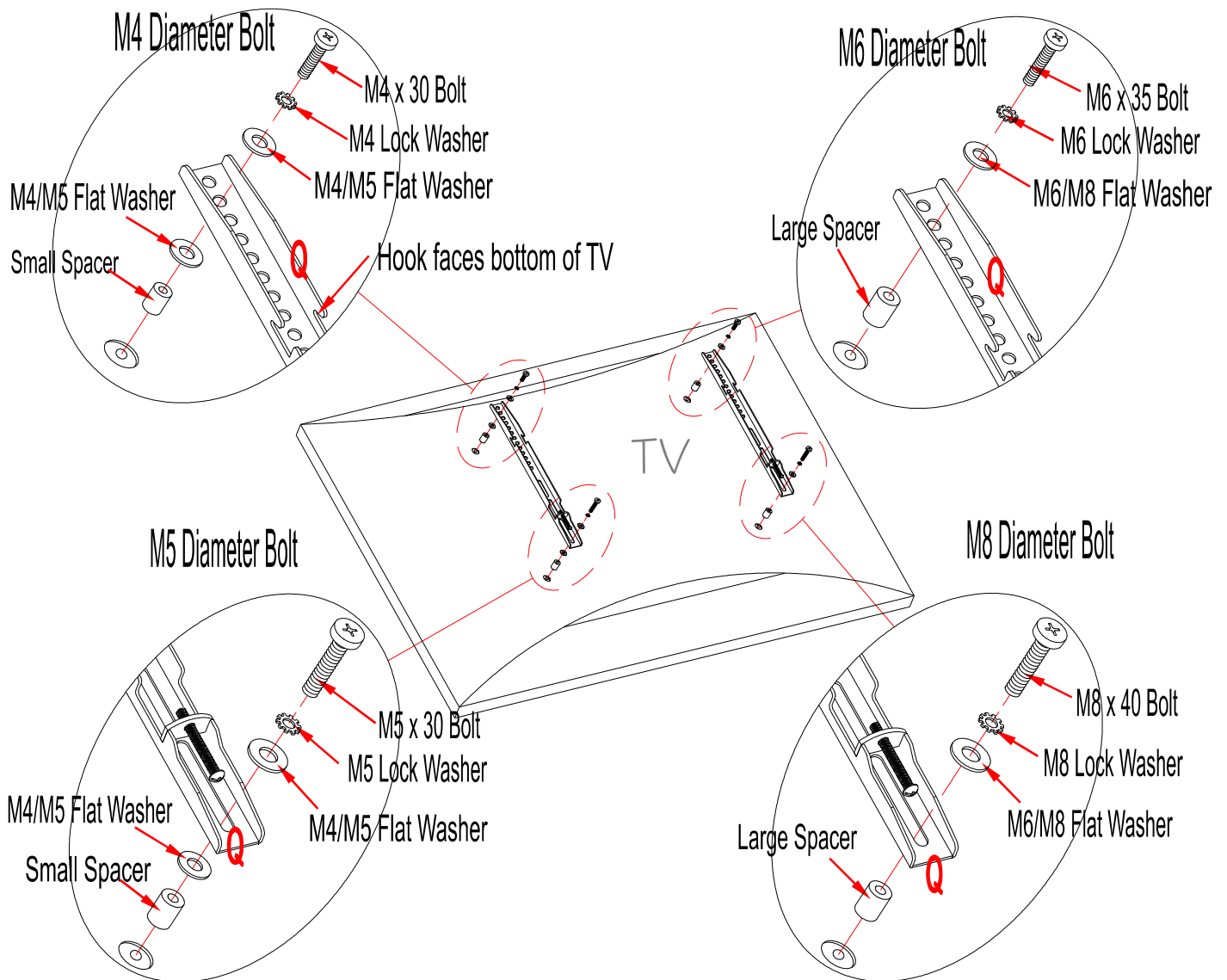


NOTE: For televisions with a curved or recessed back, proceed directly to next page.

13. Determine the correct diameter of the bolt the TV requires by hand threading them into the threaded insert on the back of the TV. If you encounter any resistance, stop immediately. If you are unable to find the correct bolt, consult a local hardware store.
14. Follow the appropriate diagram above to attach the Monitor Brackets (Q) to the back of the TV with the selected fasteners. Make sure the Monitor Brackets are centered and level with each other. Secure the bolts with a Phillips screwdriver. DO NOT over tighten the bolts.

NOTE: Lean the TV up against a wall, or other solid surface, when attaching the Monitor Brackets. DO NOT place the TV face down on the glass as this may cause permanent damage.

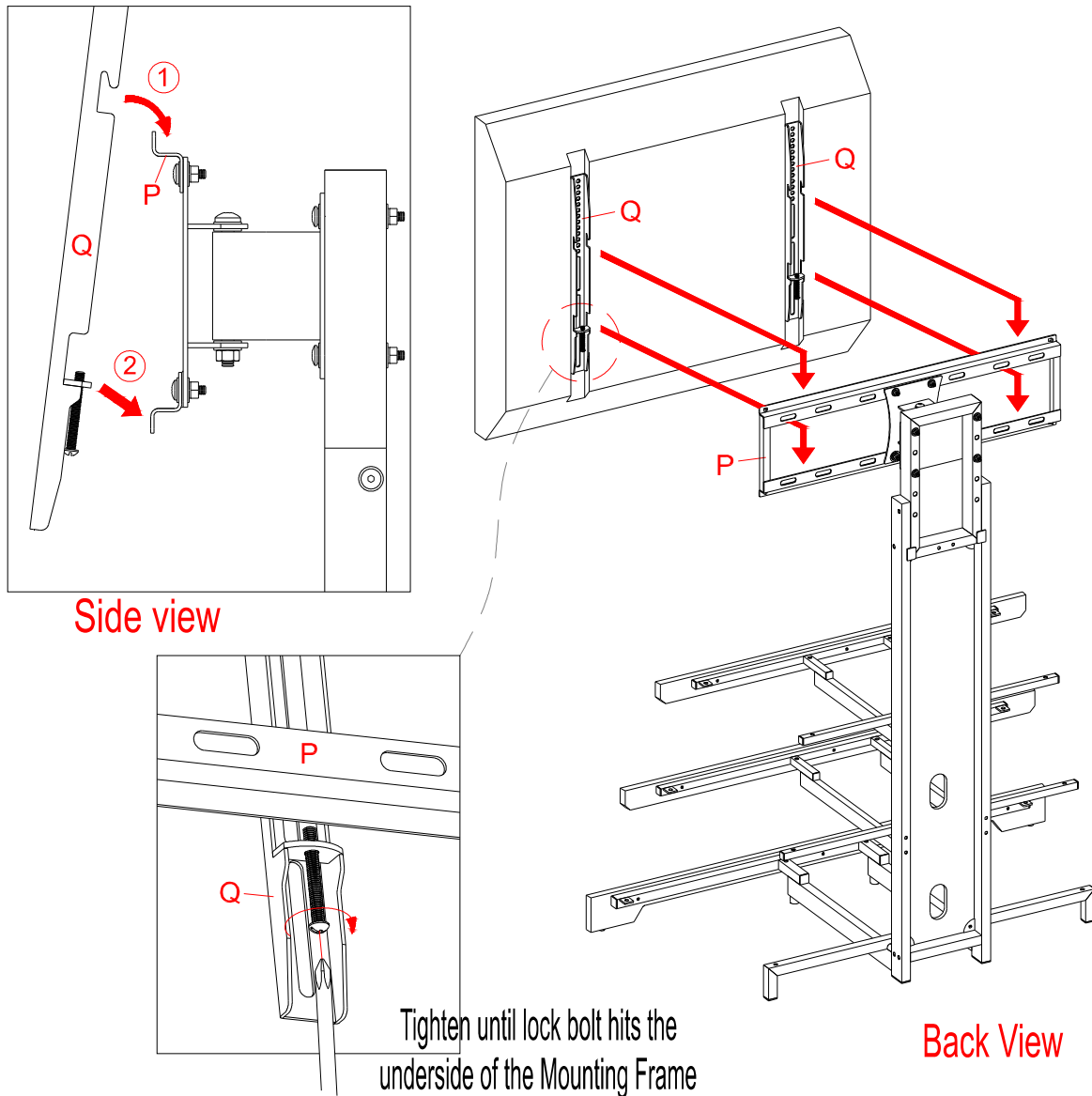
Mounting the Monitor Brackets to a television with a curved / recess back



15. Determine the correct diameter of the bolt the TV requires by hand threading them into the threaded insert on the back of the TV. If you encounter any resistance, stop immediately. If you are unable to find the correct bolt consult a local hardware store.
16. Follow the appropriate diagram above to attach the Monitor Brackets (Q) to the back of the TV with the selected fasteners. Make sure the Monitor Brackets are vertically centered and level with each other. Secure the bolts with a Phillips screwdriver. DO NOT over tighten the bolts.

NOTE: Lean the TV up against a wall, or other solid surface, when attaching the Monitor Brackets. DO NOT place the TV face down on the glass as this may cause permanent damage.

Assembly Instructions



MAKE SURE ALL BOLTS ARE TIGHT AND THE SPINE IS AT A 90 DEGREE ANGLE. USE A QUALITY LEVEL TO VERIFY THE MOUNTING FRAME IS LEVEL PRIOR TO INSTALLATION OF TV.

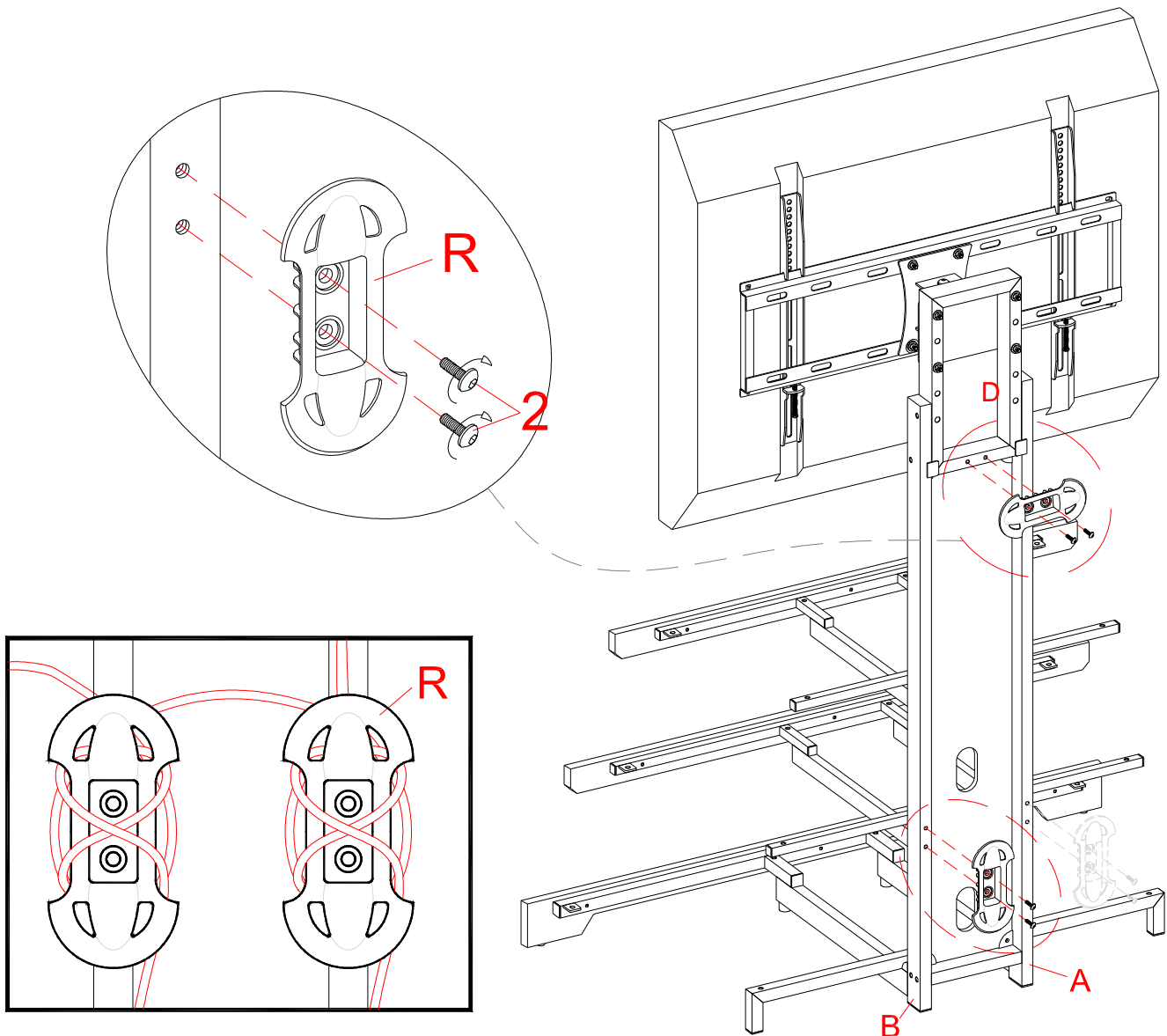
17. Once the Monitor Brackets (Q) are attached onto the back of television, ask for assistance to lift the television up to hang the Monitor Brackets onto the Mounting Frame (P). Set the hooks on the Monitor Brackets over the Mounting Frame and then lower them onto the bars of the Mounting Frame.

NOTE: Loosen the Lock Bolts that are pre-attached on the Monitor Brackets to ensure an easy fit at the bottom hooks.

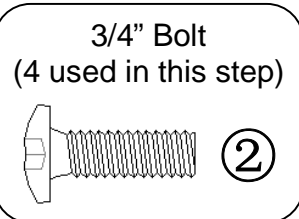
18. Center the television and tighten both Lock Bolts, with a long Phillips screwdriver, until they hit the underside of the Mounting Frame (P) to secure it in place.

Please call for replacement parts or assistance: 1-866-942-5362

Assembly Instructions



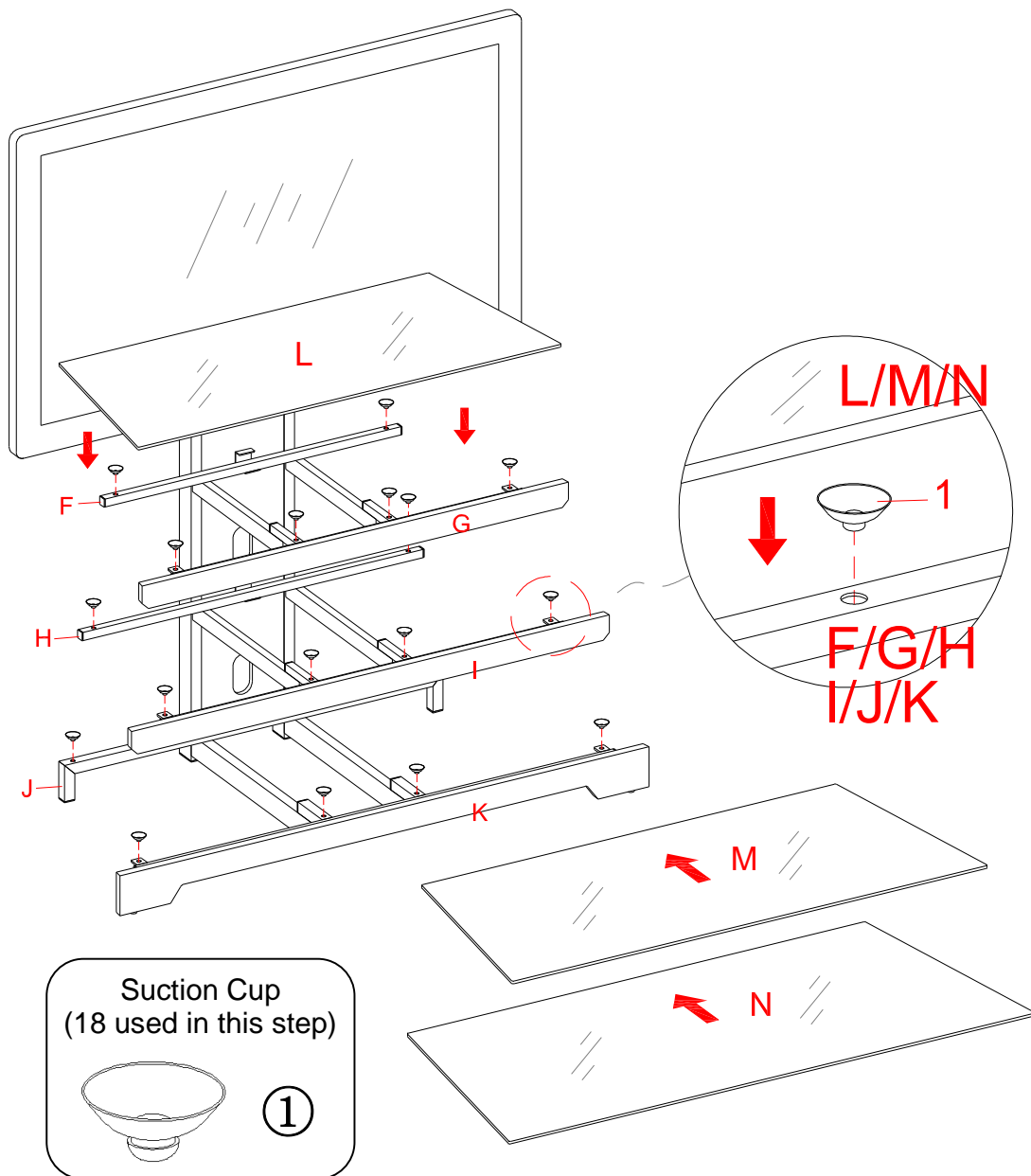
Back view



19. Attach two Cable Wheels (R) onto the backside of the assembled unit with the 3/4" Bolts (2). Tighten the bolts with the provided 4 mm Allen wrench.

NOTE: You can use the Cable Wheels to help keep the entertainment center's cables and cords organized.

Assembly Instructions



20. Put the Suction Cups (1) firmly into the top holes on the Crossbars and Stringers (F, G, H, I, J and K). **TIP:** If a suction cup resists insertion, try pressing down on the middle of the cup with the Allen Wrench while twisting it clockwise into the hole.

21. Place Glass Shelves (L, M and N), with the black side of the glass shelf down, onto the Suction Cups (1) on the shelf frames. Push all glass shelves all the way back against the Left and Right Side Frames. Also, be sure to press down each glass shelf evenly and firmly onto the Suction Cups to make sure they are securely attached.

NOTE: If a glass shelf is scratched, you can minimize the damage by using a BLACK marker and filling in the scratched area from underneath.

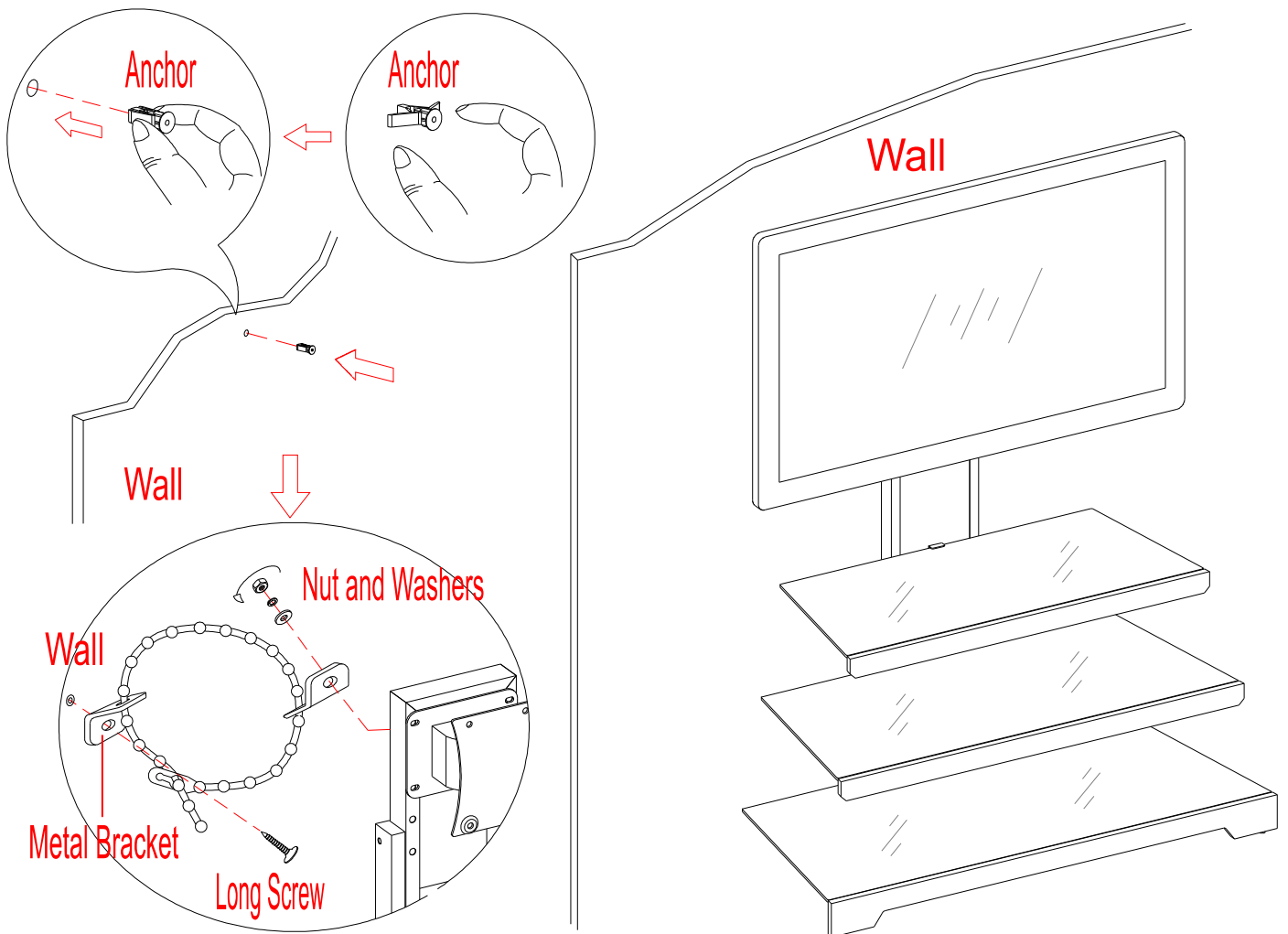
Please call for replacement parts or assistance: 1-866-942-5362

Whalen Furniture Manufacturing

Page 16

Factory # 10944

Assembly Instructions



Tools required: Allen wrench and open wrench (provided), Phillips screwdriver, mallet, power drill, and 3/8" drill bit.

22. Carefully move the console and position it at the desired location against a wall. Now, follow the instructions printed on the plastic bag containing the Tipping Restraint Hardware to mount the tipping restraint to the Back Top Frame and the wall.

NOTE: YOU MUST USE THIS TIPPING RESTRAINT HARDWARE TO ATTACH THE UNIT TO THE WALL, TO PREVENT TIPPING CAUSING ACCIDENTS AND/OR INJURIES.

23. The console is now ready for use. Swivel the TV left-or-right for optimum viewing control.

Please call for replacement parts or assistance: 1-866-942-5362

Care and Maintenance

- Use a soft, clean cloth that will not scratch the surface when dusting.
- Use of furniture polish is not necessary. Should you choose to use polish, test first in an inconspicuous area.
- Using solvents of any kind on your furniture may damage the finish.
- Never use water to clean your furniture as it may cause damage to the finish.
- Always use coasters under beverage glasses and flowerpots.
- Liquid spills should be removed immediately. Using a soft clean cloth, blot the spill gently. Avoid rubbing.
- Always use protective pads under hot dishes and plates. Heat can cause chemical changes that may create spotting within the furniture finish.
- Stains or marks from crayons or ink markers will be difficult to remove.
- In the event that the furniture is stained or otherwise damaged during use, we recommend that you call a professional to repair your furniture.
- Check bolts/screws periodically and tighten them if necessary.

Further advice about furniture care

It is best to keep your furniture in a climate-controlled environment. Extreme temperature and humidity changes can cause fading, warping, shrinking and splitting of wood. It is advised to keep furniture away from direct sunlight as sun may damage the finish.

Proper care and cleaning at home will extend the life of your purchase. Following these important and helpful tips will enhance your furniture as it ages.

A Touch-up Pen has been provided to repair any small nicks or scratches that may occur during assembly or shipping.

We hope you enjoy your purchase for many years.
Thank you for your purchase!

QUALITY GUARANTEE

We are confident that you will be delighted with your Whalen Furniture Manufacturing purchase.

Should this product be defective in workmanship or materials, or fail under normal use, we will repair or replace it for up to one (1) year from date of purchase. Every Whalen Furniture Manufacturing product is designed to meet your highest expectations. We guarantee that you will immediately see the value of our fine furniture.

This warranty gives you specific legal rights and you may also have other rights which vary from State to State.

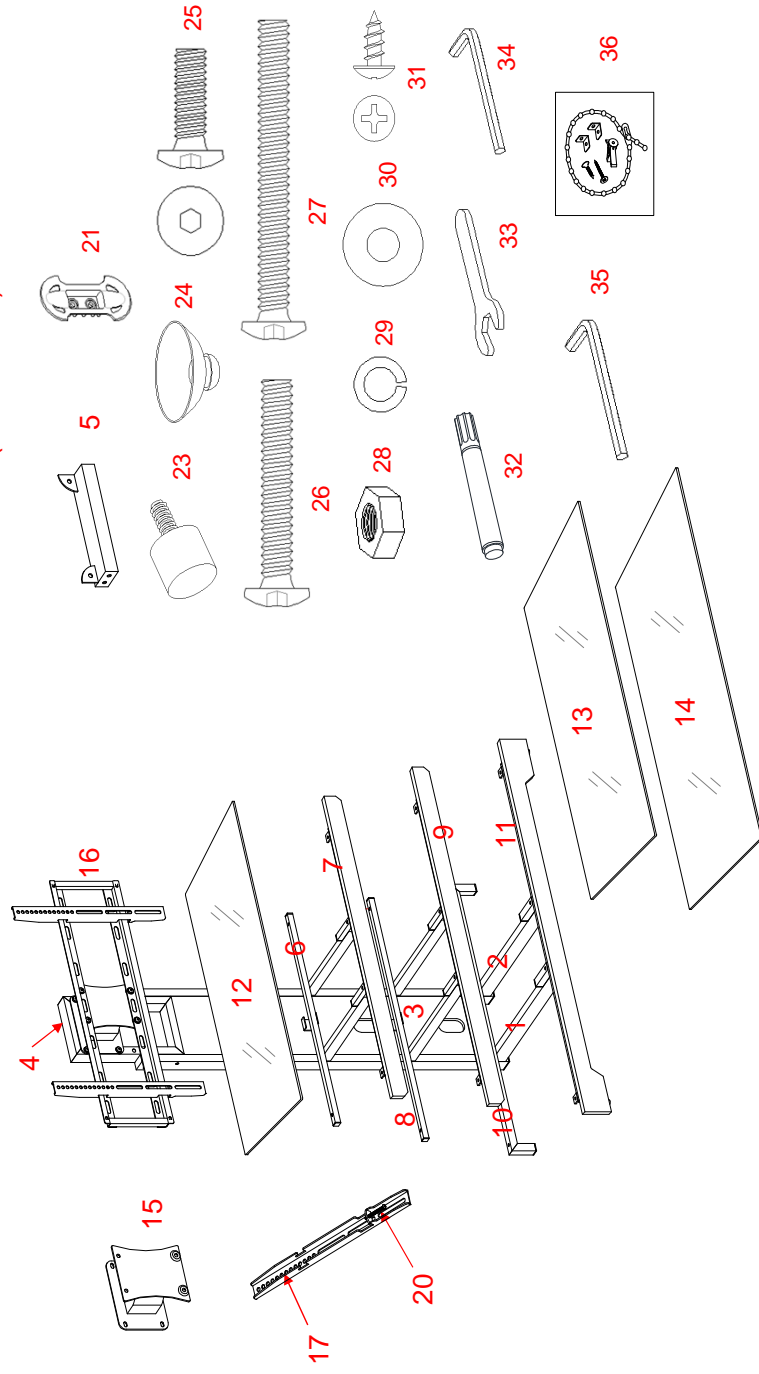
Customer Service: 1-866-942-5362
8:30 a.m. - 4:30 p.m., PST, Monday to Friday

www.whalenfurniture.com

Please call for replacement parts or assistance: 1-866-942-5362

IF YOU NEED TO ORDER ANY REPLACEMENT PARTS, PLEASE USE THE LIST BELOW

Flat Panel Console (PRO41-10)



*PRO41-10-1-LSF	Left Side Frame	*PRO41-10-14-BGS	Bottom Glass Shelf	*PRO41-10-30-FW	Flat Washer
*PRO41-10-2-RSF	Right Side Frame	*PRO41-10-15-SB	Swiveling Bracket	*PRO41-10-31-#4x10S	#4 x 10 mm Screw
*PRO41-10-3-BP	Back Panel	*PRO41-10-16-MF	Mounting Frame	*PRO41-10-32-TUP	Touch-up Pen
*PRO41-10-4-BTF	Back Top Frame	*PRO41-10-17-MB	Monitor Bracket	*PRO41-10-33-OW	Open Wrench
*PRO41-10-5-BBS	Back Bottom Stretcher	*PRO41-10-20-LB	Lock Bolt	*PRO41-10-34-M4AW	M4 Allen Wrench
*PRO41-10-6-TC	Top Crossbar	*PRO41-10-21-CW	Cable Wheel	*PRO41-10-35-3/16AW	3/16" Allen Wrench
*PRO41-10-7-TS	Top Stringer	*PRO41-10-23-LFL	Large Floor Leveler	*PRO41-10-36-TRHK	Tipping Restraint Hardware Kit
*PRO41-10-8-MC	Middle Crossbar	*PRO41-10-24-SC	Suction Cup	*PRO41-10-37-SPEC	Small Plastic End Cap (15 x 15 mm)
*PRO41-10-9-MS	Middle Stringer	*PRO41-10-25-3/4B	3/4" Bolt	*PRO41-10-38-MPEC	Medium Plastic End Cap (20 x 20 mm)
*PRO41-10-10-BB	Bottom Brace	*PRO41-10-26-1 5/8B	1-5/8" Bolt	*PRO41-10-39-LPEC	Large Plastic End Cap (20 x 40 mm)
*PRO41-10-11-BS	Bottom Stringer	*PRO41-10-27-2 1/4B	2-1/4" Bolt	*PRO41-10-TVMK	TV Mounting Kit
*PRO41-10-12-TG	Top Glass	*PRO41-10-28-HN	Hex Nut	*PRO41-10-CH	Complete Hardware
*PRO41-10-13-MGS	Middle Glass Shelf	*PRO41-10-29-LW	Lock Washer		