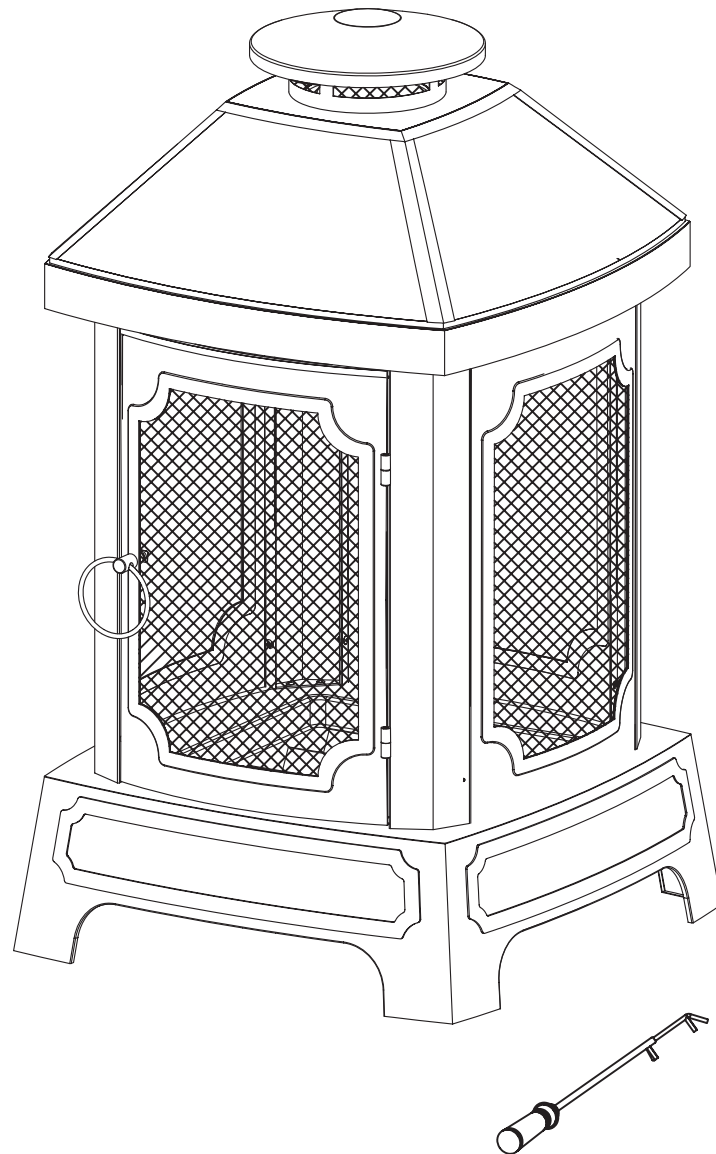




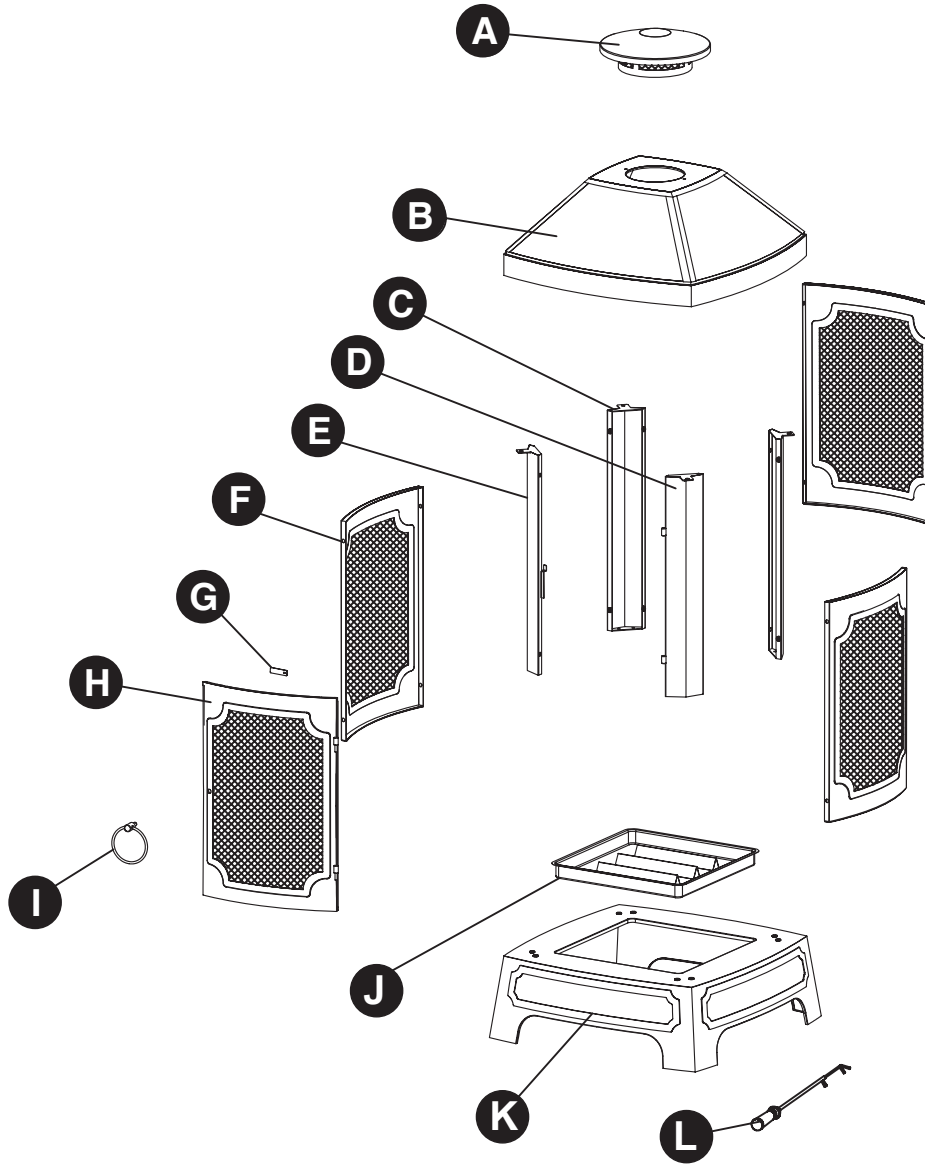
FIRE HOUSE ESTATE

Model # OFW871H-M
MENARDS SKU # 259-5146



Questions, problems, missing parts? Before returning to your retailer,
call our customer service department at 1-877-447-4768,
8:30 a.m.-4:30 p.m., CST, Monday-Friday or email us at
customerservice@ghpgroupinc.com.

PACKAGE CONTENTS



PART	DESCRIPTION	QUANTITY
A	Chimney	1
B	Top Cover	1
C	Back Support	2
D	Right Front Support	1
E	Left Front Support	1
F	Side Mesh Panel	3
G	Locking Latch	1
H	Door	1
I	Door Handle	1
J	Fire Bowl	1
K	Bottom Base	1
L	Poker	1

HARDWARE LIST

AA



M6x10mm
Bolt
Qty. 27

SAFETY INFORMATION

Please read and understand this entire manual before attempting to assemble, operate or install the product.

WARNINGS:

- **DO NOT** allow children or pets near the fire house without supervision.
- **DO NOT** touch surface of fire house while in use.
- **FOR OUTDOOR USE ONLY!** Burning wood and charcoal indoors can kill you. It gives off carbon monoxide, which has no odor.
- **NEVER** burn in vehicles, tents, garages, other enclosed areas or indoors. **CARBON MONOXIDE HAZARD.**
- **NEVER LEAVE FIRE UNATTENDED!**
- **NEVER** place a storage cover on fire house when in use. Ensure the fire house has cooled before placing a storage cover over the fire house.
- When the fire house is in use, the door handle can reach extreme temperatures that can cause serious injury to an unprotected hand. Wear a glove when handling.
- **DO NOT** use under overhead cables or power lines.

CAUTIONS:

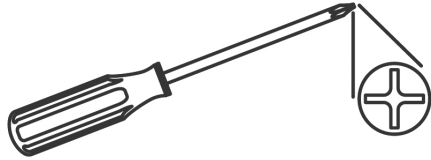
- Adequate fire extinguishing material should be readily available.
- Always ensure that the top cover is secured over fire bowl while in use.
- Burn only seasoned hard wood or fire logs in the fire house.
- **DO NOT** attempt to move the fire house while it is hot or in use.
- **DO NOT** use gasoline or kerosene to start the fire in your fire house.
- **DO NOT** use this outdoor fire house under any overhead or near any unprotected combustible constructions. Avoid using near or under overhanging trees and shrubs. **DO NOT** use this unit on long or dry grass and/or leaves.
- Always use this outdoor fire house on a hard, level, non-combustible surface such as concrete, rock or stone. An asphalt or blacktop surface may not be acceptable for this purpose. **DO NOT** use on wooden decks.
- Place the fire house no closer than 10 feet / 3.05 meters from walls or combustibles during use.
- Poker handle may become hot during and after use.
- Use heat-resistant gloves to handle hot tools.
- Always ensure that the doors are securely closed while in use.

PREPARATION

Before beginning assembly of product, make sure all parts are present. Compare parts with package contents list and hardware contents above. If any part is missing or damaged, do not attempt to assemble the product. Contact customer service for replacement parts.

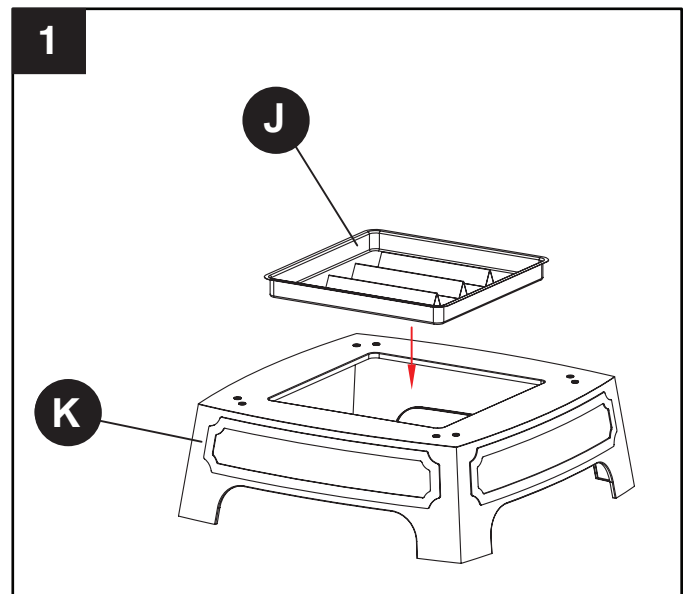
Estimated Assembly Time: 20 minutes

Tools Required for Assembly: Phillips Screwdriver (Not Included)



ASSEMBLY INSTRUCTIONS

1. Insert fire bowl (J) into the bottom base (K) as shown in figure 1.

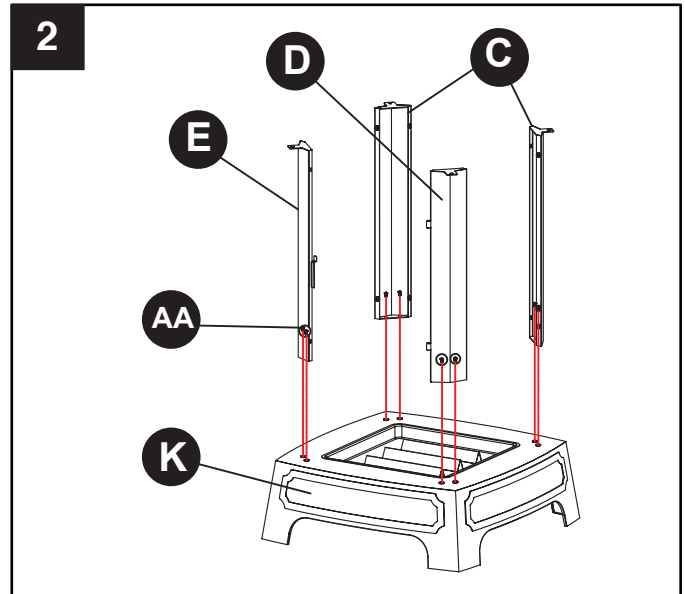


ASSEMBLY INSTRUCTIONS

2. Attach the back supports (C), the right front support (D), and the left front support (E) to the bottom base (K) using eight M6 x 10mm bolts (AA). Do not tighten completely at this time.

Hardware Used

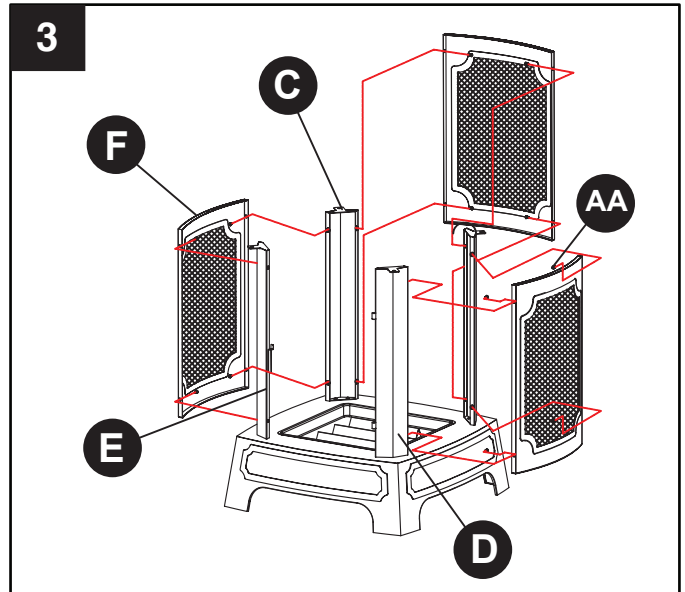
AA M6x10mm Bolt  x 8



3. Loosely attach a side mesh panel (F) to the back supports (C) using four M6 x 10mm bolts (AA). Then, loosely attach the two other side mesh panels (F) to the back supports (C) and the left and right front supports (E and D) using eight M6 x 10mm bolts (AA). Do not tighten completely at this time.

Hardware Used

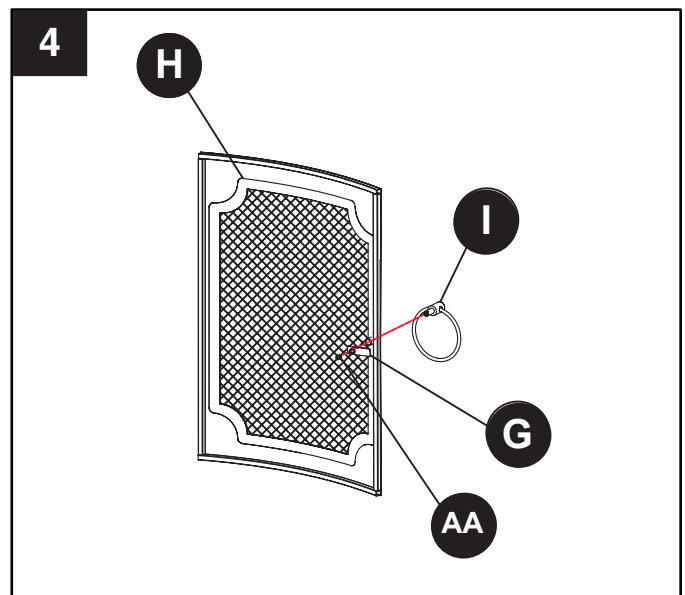
AA M6x10mm Bolt  x 12



4. Insert the door handle (I) to the front side of the door (H). Attach the locking latch (G) to the door handle (I) from the other side of the door (H) and secure with one M6 x 10mm bolt (AA). Tighten with a screwdriver.

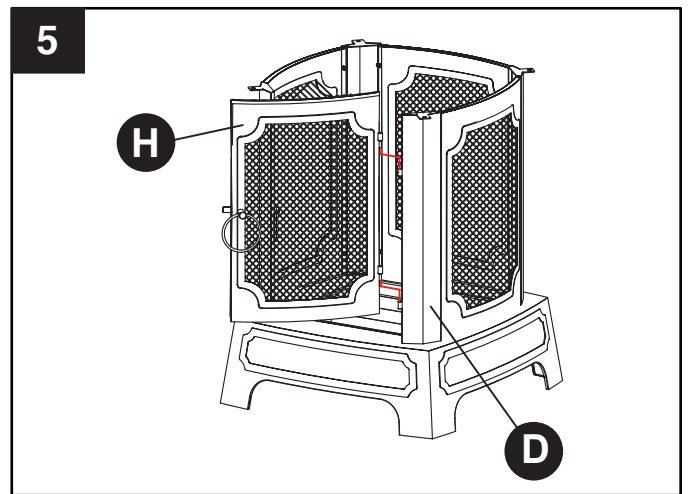
Hardware Used

AA M6x10mm Bolt  x 1



ASSEMBLY INSTRUCTIONS

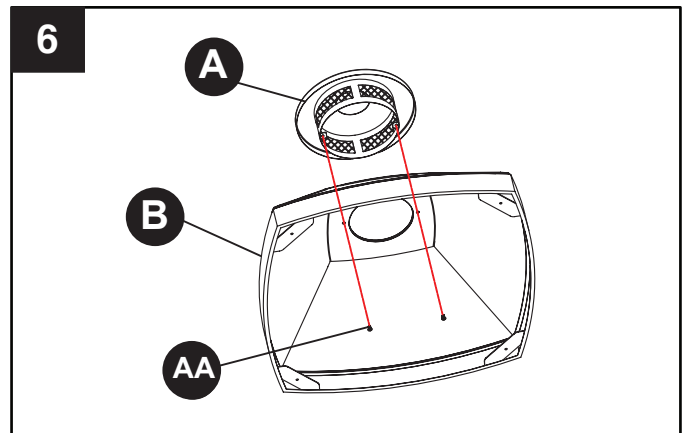
5. Attach the door (H) to the right front support (D). Insert the pins on the door (H) into the corresponding holes on the right front support (D) as shown in figure 5.



6. Attach the chimney (A) to the top cover (B) using two M6 x 10mm bolts (AA) as shown in figure 6. Tighten with a screwdriver.

Hardware Used

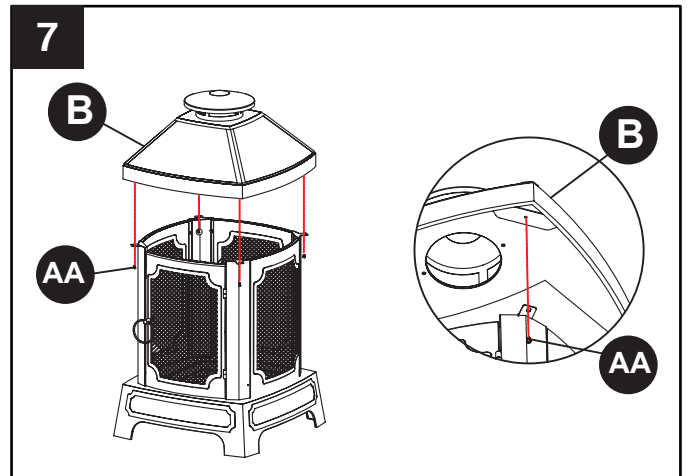
AA M6x10mm Bolt  x 2



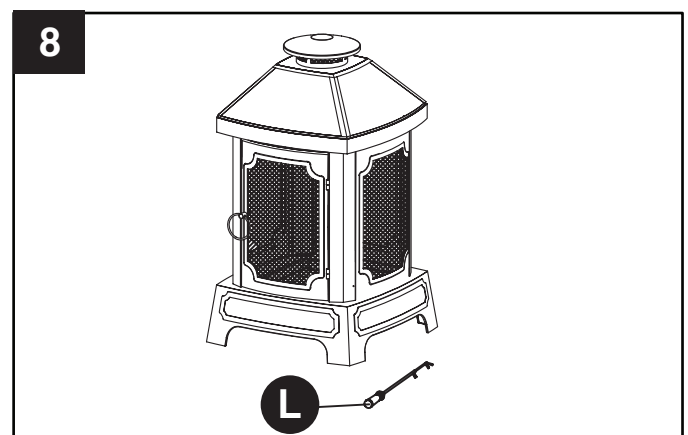
7. Attach the top cover (B) to the supports (C, D and E) using four M6 x 10mm bolts (AA). Tighten with a screwdriver. Completely tighten all other bolts at this time.

Hardware Used

AA M6x10mm Bolt  x 4



8. Your fire house is ready for use. Keep the poker (L) near the fire house for use as needed.



CARE AND MAINTENANCE

- Allow the fire house to cool completely before moving it.
- To extend the life of your fire house, clean it after each use.
- To protect fire house finish, use a soft cloth to wipe fire house and poker.
- Do not attempt to clean while hot.
- Clean fire bowl after each use once ashes have cooled.
- Store in a cool, clean, dry place.
- Place a storage cover over the fire house once it has cooled.

1-YEAR LIMITED FRAME WARRANTY

If within one year from the date of original purchase, this item fails due to a defect in material or workmanship, we will replace or repair at our option, free of charge. To order parts or to obtain warranty service, call 1-877-447-4786, Monday - Friday, 8:30 - 4:30 p.m. CST. This warranty does not cover defects resulting from improper or abnormal use, misuse, accident, or alteration. Failure to follow all instructions in the owner's manual will also void this warranty. The manufacturer will not be liable for incidental or consequential damages, or common erosion of outdoor products. Some states do not allow the exclusion or limitation of incidental or consequential damages, so the above limitation may not apply to you. This warranty gives you specific legal rights, and you may also have other rights which vary from state to state

GHP Group Inc., 6440 W. Howard St., Niles, IL, USA 60714-3302, USA

REPLACEMENT PARTS LIST

For replacement parts, call our customer service department at 1-877-447-4768, 8:30 a.m. – 4:30 p.m., CST, Monday – Friday.

PART	DESCRIPTION	PART #
A	Chimney	30-01-167
B	Top Cover	30-01-168
C	Back Support	30-01-169
D	Right Front Support	30-01-170
E	Left Front Support	30-01-171
F	Side Mesh Panel	30-01-172
G	Locking Latch	30-01-173
H	Door	30-01-174
I	Door Handle	30-01-175
J	Fire Bowl	30-01-176
K	Bottom Base	30-01-157
L	Poker	40-04-409
AA	Hardware Pack	30-09-525
N/A	Instruction Manual	30-10-143

