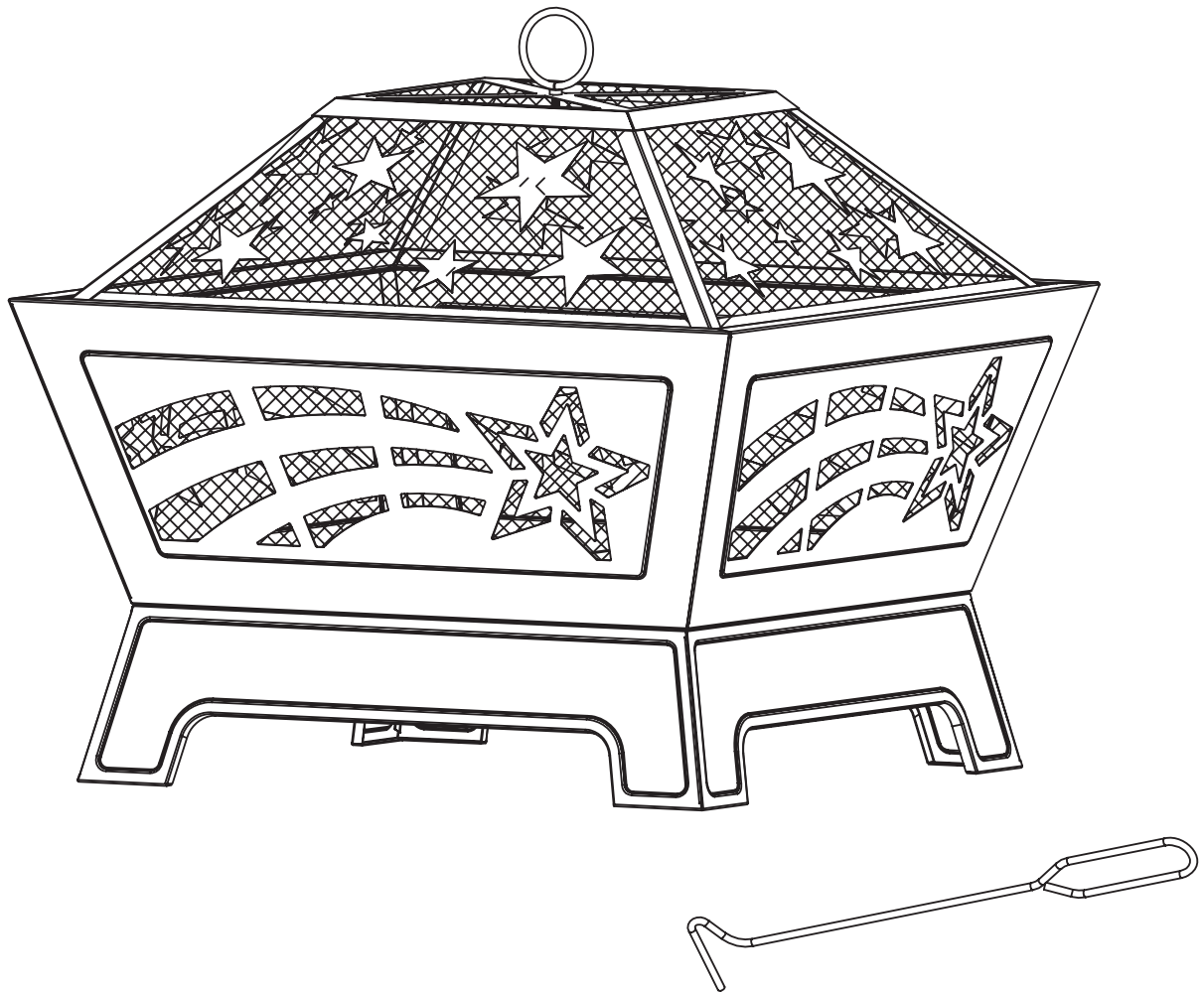




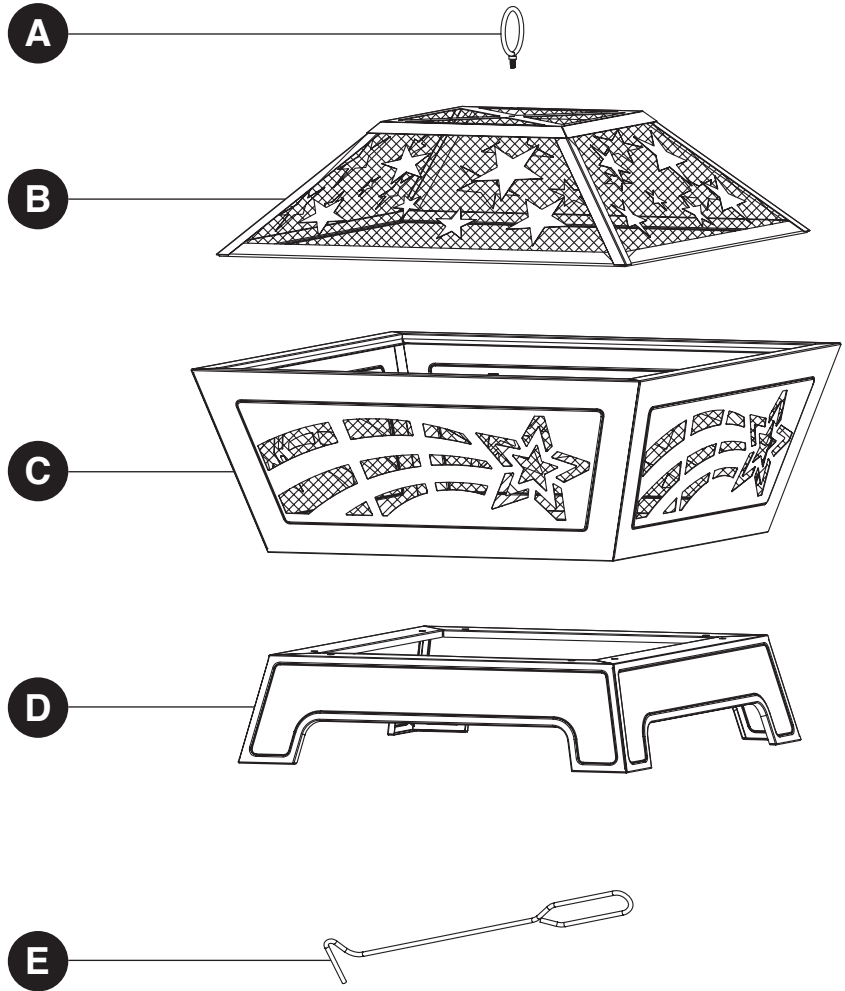
SQUARE FIRE PIT FIREWORKS

MODEL #OFW552SA-M
MENARDS SKU # 259-5144



Questions, problems, missing parts? Before returning to your retailer,
call our customer service department at 1-877-447-4768,
8:30 a.m.-4:30 p.m., CST, Monday-Friday or email us at
customerservice@ghpgroupinc.com.

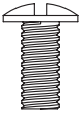
PACKAGE CONTENTS



PART	DESCRIPTION	QUANTITY
A	Poker Bracket	1
B	Mesh Cover	1
C	Firebox	1
D	Base	1
E	Poker	1

HARDWARE LIST

AA



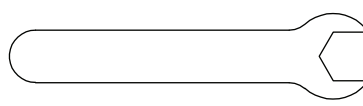
M6x12mm
Bolt
Qty. 8

BB



M6 Flange
Nut
Qty. 1

CC



Wrench
Qty. 1

SAFETY INFORMATION

Please read and understand this entire manual before attempting to assemble, operate or install the product.

WARNINGS:

- **DO NOT** allow children or pets near the fire pit without supervision.
- **DO NOT** touch surface of fire pit while in use.
- **FOR OUTDOOR USE ONLY!** Burning wood and charcoal indoors can kill you. It gives off carbon monoxide, which has no odor.
- **NEVER** burn in vehicles, tents, garages, other enclosed areas or indoors. **CARBON MONOXIDE HAZARD.**
- **NEVER LEAVE FIRE UNATTENDED!**
- **NEVER** place a storage cover on fire pit when in use. Ensure the fire pit and mesh cover have cooled before placing a storage cover over the fire pit.
- When the fire pit is in use, the poker bracket on the mesh cover can reach extreme temperatures that can cause serious injury to an unprotected hand. Use a poker when handling.
- **DO NOT** use under overhead cables or power lines.

CAUTIONS:

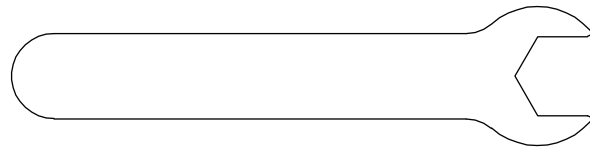
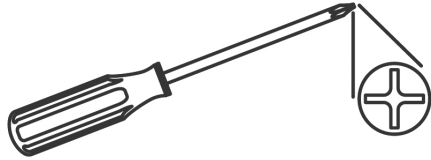
- Adequate fire extinguishing material should be readily available.
- Always ensure that the mesh cover is secured over fire bowl while in use.
- Burn only seasoned hard wood or fire logs in the fire pit.
- **DO NOT** attempt to move the fire pit while it is hot or in use.
- **DO NOT** use gasoline or kerosene to start the fire in your fire pit.
- **DO NOT** use this outdoor fire pit under any overhead or near any unprotected combustible constructions. Avoid using near or under overhanging trees and shrubs. **DO NOT** use this unit on long or dry grass and/or leaves.
- Always use this outdoor fire pit on a hard, level, non-combustible surface such as concrete, rock or stone. An asphalt or blacktop surface may not be acceptable for this purpose. **DO NOT** use on wooden decks.
- Place the fire pit no closer than 10 feet / 3.05 meters from walls or combustibles during use.
- Poker handle may become hot during and after use.
- Use heat-resistant gloves to handle hot tools.

PREPARATION

Before beginning assembly of product, make sure all parts are present. Compare parts with package contents list and hardware contents above. If any part is missing or damaged, do not attempt to assemble the product. Contact customer service for replacement parts.

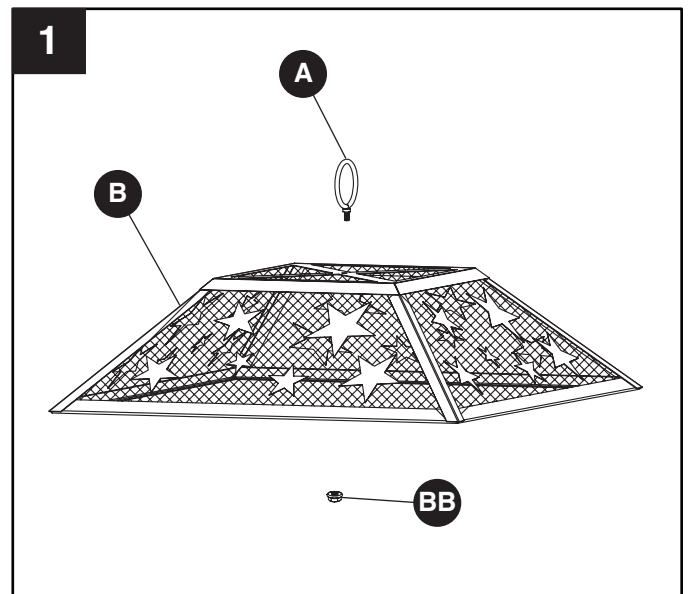
Estimated Assembly Time: 15 minutes

Tools Required for Assembly: Phillips Screwdriver (Not Included) and Wrench (Included)



ASSEMBLY INSTRUCTIONS

1. Insert the poker bracket (A) into the hole in the mesh cover (B). Use the wrench (CC) to secure one M6 flange nut (BB) to the underside of the mesh cover (B).



Hardware Used

BB M6 Flange Nut  x 1

CC Wrench 

ASSEMBLY INSTRUCTIONS

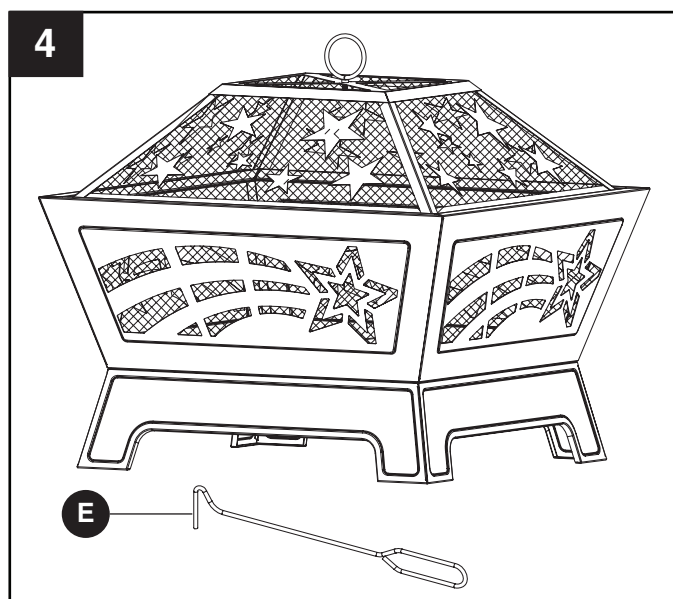
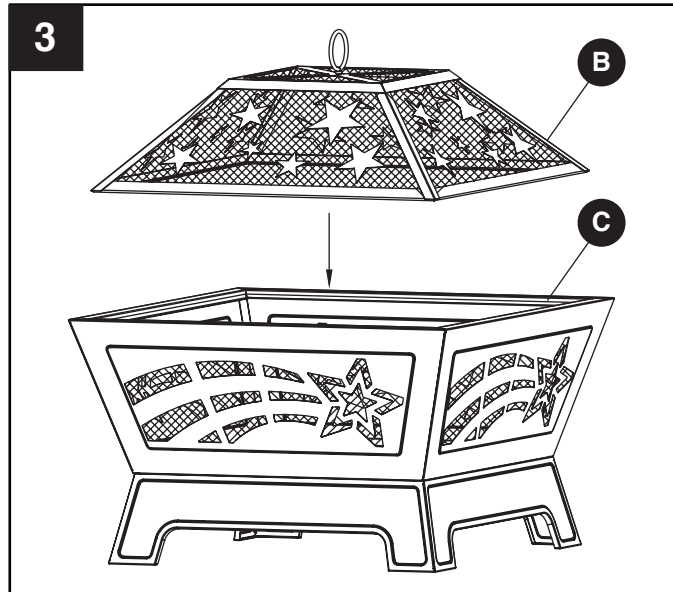
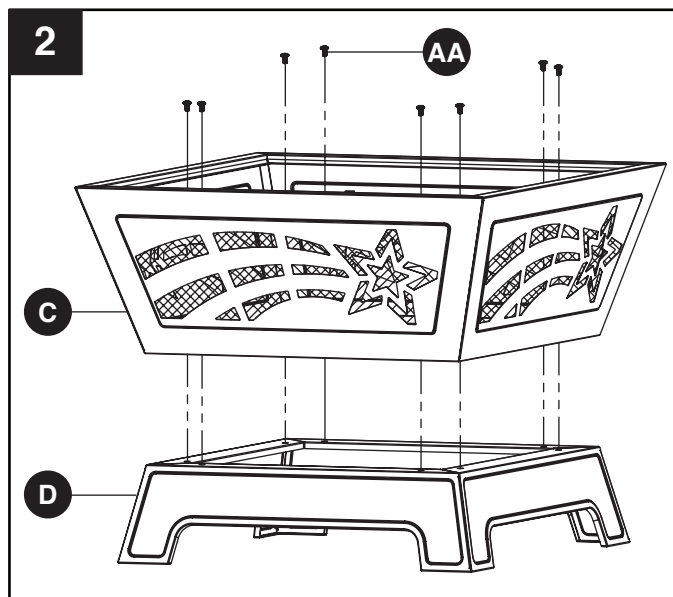
2. Attach the firebox (C) to the base (D) by inserting eight M6x12mm bolts (AA) into the predrilled holes. Tighten with a screwdriver.

Hardware Used

AA M6x12mm Bolt  x 8

3. Place the mesh cover (B) onto the firebox (C) as illustrated.

4. Your fire pit is now ready for use. Keep the poker (E) near the fire pit for use as needed.



CARE AND MAINTENANCE

- Allow the fire pit to cool completely before moving it.
- To extend the life of your fire pit, clean it after each use.
- To protect fire pit finish, use a soft cloth to wipe fire pit and poker.
- Do not attempt to clean while hot.
- Store in a cool, clean, dry place.
- Clean firebox after each use once ashes have cooled.
- Place a storage cover over the fire pit once it has cooled.

1-YEAR LIMITED FRAME WARRANTY

If within one year from the date of original purchase, this item fails due to a defect in material or workmanship, we will replace or repair at our option, free of charge. To order parts or to obtain warranty service, call 1-877-447-4786, Monday - Friday, 8:30 - 4:30 p.m. CST. This warranty does not cover defects resulting from improper or abnormal use, misuse, accident, or alteration.

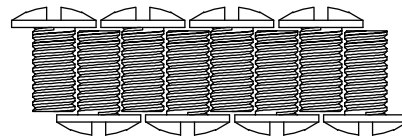
Failure to follow all instructions in the owner's manual will also void this warranty. The manufacturer will not be liable for incidental or consequential damages, or common erosion of outdoor products. Some states do not allow the exclusion or limitation of incidental or consequential damages, so the above limitation may not apply to you. This warranty gives you specific legal rights, and you may also have other rights which vary from state to state

GHP Group Inc., 6440 W. Howard St., Niles, IL, USA 60714-3302, USA

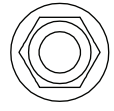
REPLACEMENT PARTS LIST

For replacement parts, call our customer service department at 1-877-447-4768, 8:30 a.m. – 4:30 p.m., CST, Monday – Friday.

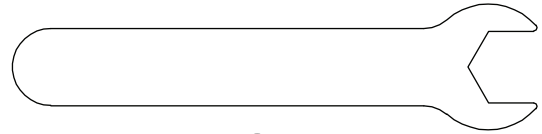
PART	DESCRIPTION	PART #
A	Poker Bracket	30-01-059
B	Mesh Cover	30-01-162
C	Firebox	30-01-163
D	Base	30-01-164
E	Poker	30-01-062
AA - CC	Hardware Pack	30-09-527
N/A	Manual	30-10-145



AA



BB



CC

