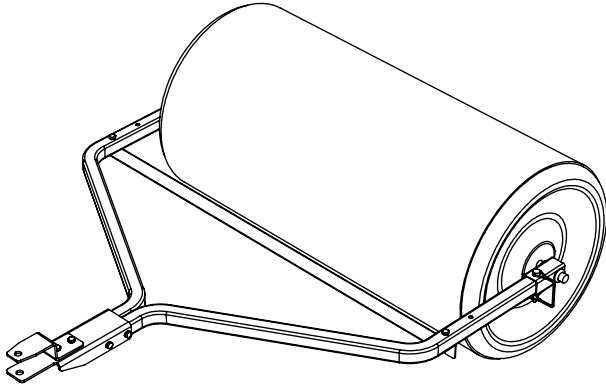


# OWNER'S MANUAL

Models: LRP-1836 (5301936) & LRP-1836B (5301945)

(Poly Lawn Roller, 18" Diameter x 36" Drum Length)



**BEFORE RETURNING THIS PRODUCT  
FOR ANY REASON, PLEASE CALL**

**1-800-831-0027**

**IF YOU SHOULD HAVE A QUESTION OR  
EXPERIENCE A PROBLEM WITH YOUR  
FIMCO INDUSTRIES PRODUCT:**

**1-800-831-0027**

**BEFORE YOU CALL, PLEASE HAVE THE  
FOLLOWING INFORMATION AVAILABLE:  
SALES RECEIPT & MODEL NUMBER. IN MOST  
CASES, A FIMCO INDUSTRIES EMPLOYEE CAN  
RESOLVE THE PROBLEM OVER THE PHONE.**

## General Information

Thank you for purchasing this product. The purpose of this manual is to assist you in operating and maintaining your lawn roller. Please read it carefully, as it furnishes information which will help you achieve years of trouble-free operation.

## Warranty/Parts/Service

Products are warranted for one year from date of purchase against manufacturer or workmanship defects.

Commercial users have a 90 day warranty.

Your authorized dealer is the best source of replacement parts and service. To obtain prompt, efficient service, always remember to give the following information...

- Correct Part Description and/or part number.
- Model number/Serial number of your sprayer.

Part descriptions and part numbers can be obtained from the illustrated parts list section(s) of this manual.

Whenever you need parts or repair service, contact your distributor/dealer first. For warranty work, always take your original sales slip, or other evidence of purchase date, to your distributor/dealer.

## Technical Specifications

(LRP-1836 = Palletized)  
(LRP-1836B = Boxed)

Roller Drum Lengths: 24", 36", & 48"  
Heavy Duty Polyethylene

Roller Head Diameters: 18" and 24"  
Precision Molded Polyethylene

Bearings: 3/4" I.D. Replaceable  
Tow Hitch: STD Type 5/8" pin hole

Overall width:

LRP1824 = 31" wide  
LRP1836 = 43" wide  
LRP1848 = 55" wide  
LRP2436 = 43" wide  
LRP2448 = 55" wide

Weight Filled with Water:

LRP1824 = 268 lbs  
LRP1836 = 390 lbs  
LRP1848 = 510 lbs  
LRP2436 = 668 lbs  
LRP2448 = 878 lbs

Assemble weight empty:

LRP1824 = 36 lbs  
LRP1836 = 44 lbs  
LRP1848 = 55 lbs  
LRP2436 = 59 lbs  
LRP2448 = 75 lbs

Approximate Shipping Weight:

LRP1824 = 43 lbs boxed  
LRP1836 = 52 lbs boxed  
LRP1848 = 63 lbs boxed  
LRP2436 = 76 lbs boxed  
LRP2448 = 93 lbs boxed



[www.fimcoindustries.com](http://www.fimcoindustries.com)

1000 FIMCO Lane, P.O. Box 1700, North Sioux City, SD 57049  
Toll Free Phone: 800-831-0027 : Toll Free Fax: 800-494-0440

Form No. 1977 [5008288 (03/13)] Printed in the U.S.A.

## Assembly

Your Lawn Roller has been mostly assembled at the factory for your convenience. Remove the parts to the unit from the carton. Refer to exploded view and parts list to help identify the parts.

### PALLETIZED

1. Slide axle shaft collars over axle and pin in place.
2. Slide draw tongue into axle shaft collars and pin in place.
3. Adjust both Plugs size by turning handle. Secure plug in place by folding the plug handle down.
4. Fill roller by removing top drain plug and fill with liquid or sand, not to exceed towing vehicle towing limit.

### BOXED

1. Slide axle shaft collars over axle and pin in place.
2. Slide draw tongue into axle shaft collars and pin in place.
3. Assemble Clevis mounting plate on the square tube tongue, using tow carriage bolts and whiz nuts.
4. Attached Clevis to mounting plate using hex bolts and whiz nuts.
5. Attached scraper bar as final assembly.
6. Adjust both Plugs size by turning handle. Secure plug in place by folding the plug handle down.
7. Fill roller by removing top drain plug and fill with liquid or sand, not to exceed towing vehicle towing limit.

## Operating Instructions

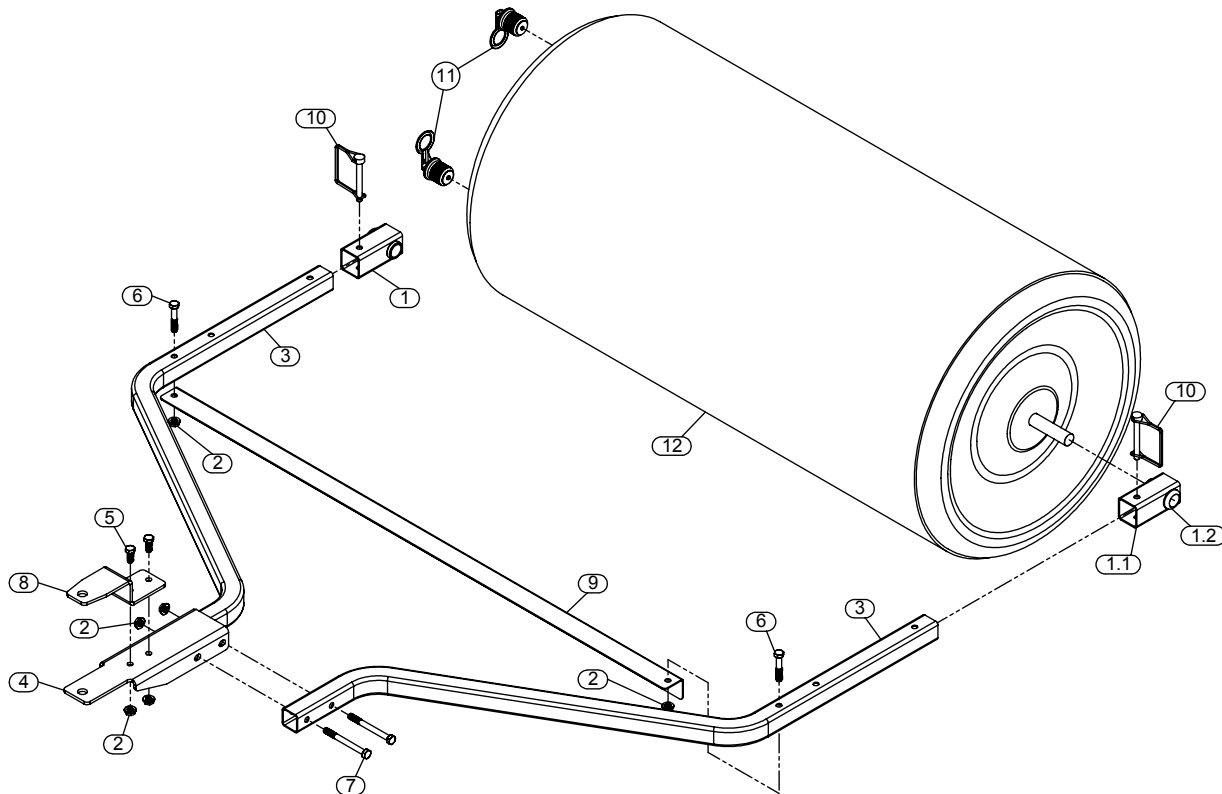
Know the towing capacity of the vehicle used for towing your lawn roller.

Do not fill lawn roller to full capacity if it will exceed weight your towing vehicle can safely pull and stop.

Avoid making sharp turns, as you may damage your ground or create unsafe operating conditions.

Follow the slope of the terrain; avoid direct paths up and down steep slopes.

Always completely drain all water from roller before freezing temperatures are predicted.



Poly Lawn Roller Models:  
LRP-1836 (5301936)  
LRP-1836B (5301945)

Item No	Part Number	Qty	Description
1	5005285	2	Lawn Roller Hitch Adapter
1.1	5100539	1	Lawn Roller Hitch Tube
1.2	5149038	1	1\" Poly Barb Fitting
2	5006307	6	5/16\"-18 Hex Whiz (Flange) Locknut
3	5023109	2	36\" Hitch Arm
4	5027159	1	Formed Hitch Plate
5	5034038	2	H.H.C.S. 5/16\"-18nc x 3/4\" Long
6	5034088	2	H.H.C.S. 5/16\"-18nc x 1 3/4\" Long
7	5034462	2	H.H.C.S. 5/16\"-18nc x 3 1/4\" Long
8	5038517	1	Hitch Bracket (Formed)
9	5095229	1	36\" Scraper Support Mount
10	5101302	2	D-Ring Lock Pin, 5/16\" Dia. x 2-3/4\"
11	5102131	2	Snap Drain Plug, 1-1/8\"
12	5277082	1	18\" x 36\" Poly Roller