

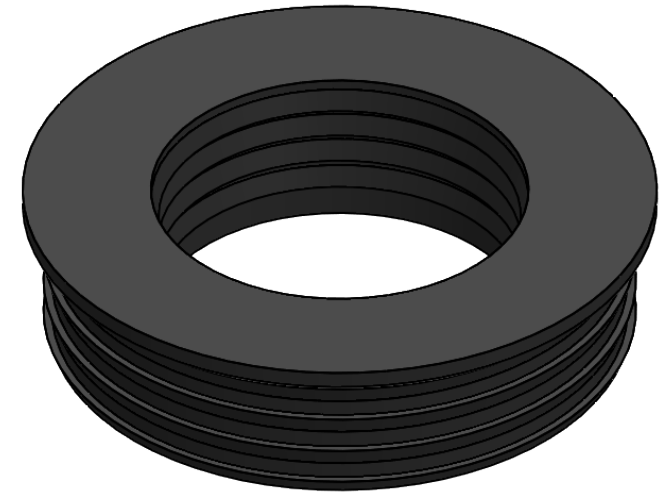
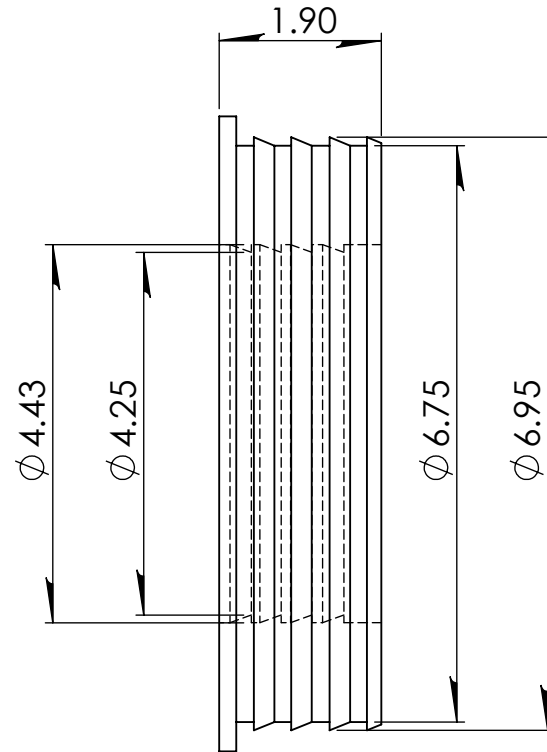
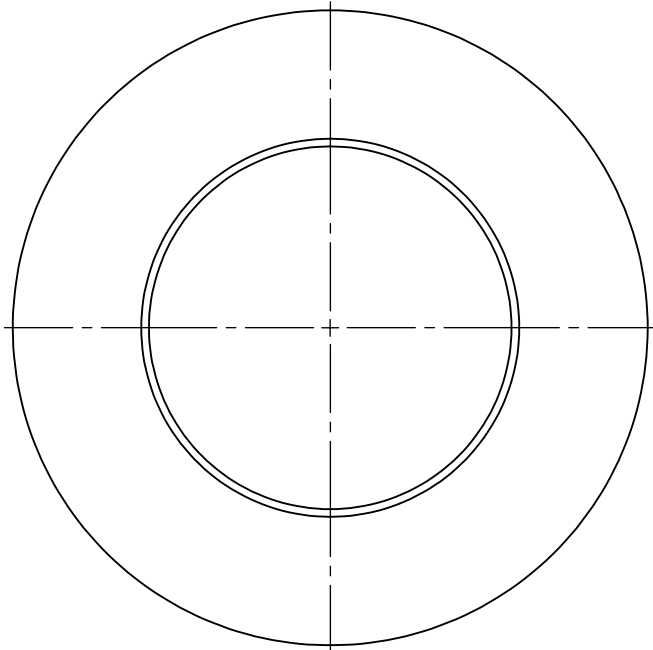


300 S. DAYTON ST.  
 DAVISON, MI 48423  
 PH: 810-503-9000  
 FAX: 810-653-8714

66U-405

DESCRIPTION:

CONNECTS 6 IN. SVCI HUB  
 TO 4 IN. XHCI/SCH. 40 PL.



NOTE:  
**FOR DWV USE ONLY**

PROPRIETARY AND CONFIDENTIAL  
 THE INFORMATION CONTAINED IN THIS  
 DRAWING IS THE SOLE PROPERTY OF  
 FERNCO, INC. ANY REPRODUCTION IN  
 PART OR AS A WHOLE WITHOUT THE  
 WRITTEN PERMISSION OF FERNCO, INC.  
 IS PROHIBITED.

TOLERANCES:  
 FRACTIONAL ± 1/4"  
 .XX = ± .09  
 ANG. = +3°  
 UNLESS OTHERWISE SPECIFIED

MATERIAL	FLEXIBLE PVC	CLAMPS USED	N/A	UNITS:	SIZE:	AUTHOR:	SCALE:
PART WEIGHT		INSTALLATION TORQUE	N/A	INCHES	<b>A</b>	ELI MILLER	NOT TO SCALE
BOX QUANTITY		MIN/MAX TEMP.	-30/140 °F	3RD ANGLE PROJECTION	CHECKER:	DATE:	SHEET
PRESSURE TESTED	4.3 PSI	ASTM	D5926	DO NOT SCALE DRAWING		6/17/2020	1 OF 1