

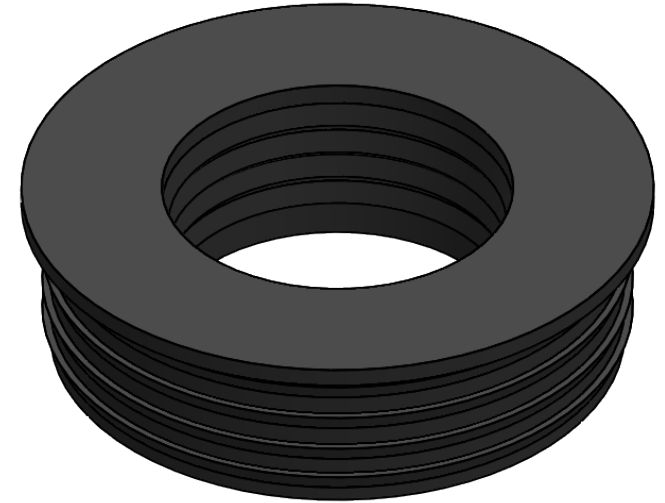
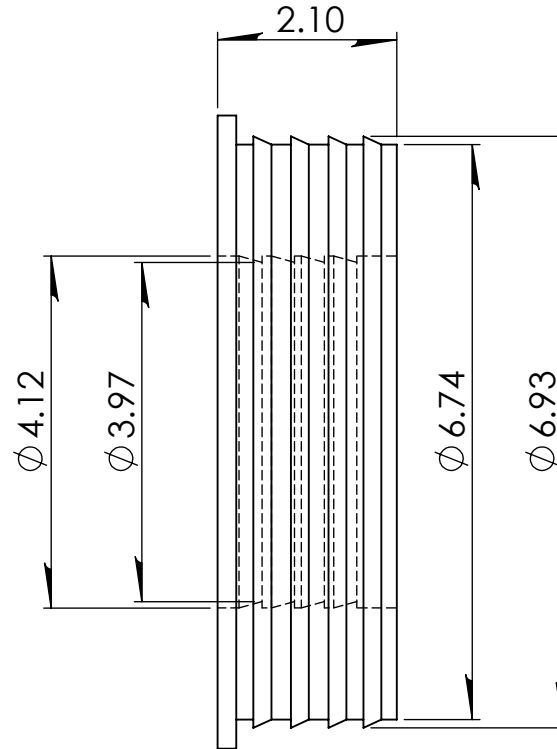
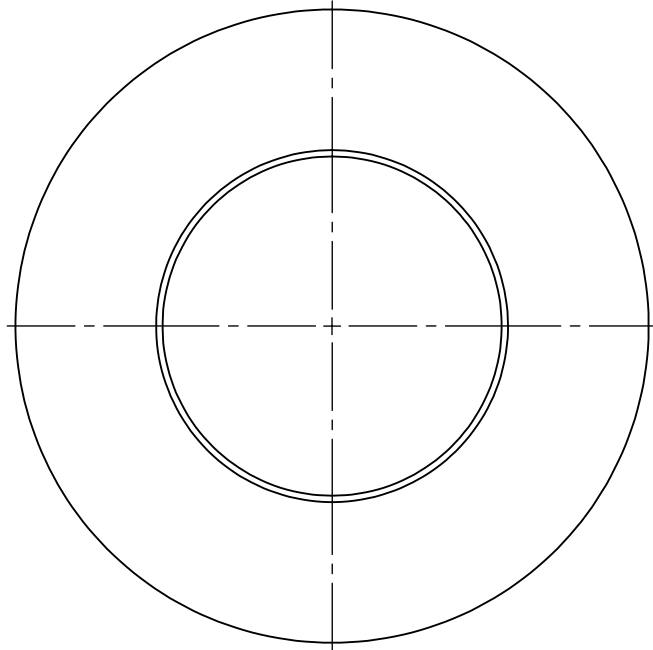


300 S. DAYTON ST.
DAVISON, MI 48423
PH: 810-503-9000
FAX: 810-653-8714

66U-401

DESCRIPTION:

CONNECTS 6 IN. SVCI HUB
TO 4 IN. NHCI/SVCI/S&D PL.



NOTE:
FOR DWV USE ONLY

PROPRIETARY AND CONFIDENTIAL
THE INFORMATION CONTAINED IN THIS
DRAWING IS THE SOLE PROPERTY OF
FERNCO, INC. ANY REPRODUCTION IN
PART OR AS A WHOLE WITHOUT THE
WRITTEN PERMISSION OF FERNCO, INC.
IS PROHIBITED.

TOLERANCES:
FRACTIONAL $\pm 1/4"$
.XX = $\pm .09$
ANG. = $\pm 3^\circ$
UNLESS OTHERWISE SPECIFIED

MATERIAL	FLEXIBLE PVC	CLAMPS USED	N/A	UNITS:	SIZE:	AUTHOR:	SCALE:
PART WEIGHT		INSTALLATION TORQUE	N/A	INCHES	A	ELI MILLER	NOT TO SCALE
BOX QUANTITY		MIN/MAX TEMP.	-30/140 °F	3RD ANGLE PROJECTION DO NOT SCALE DRAWING		CHECKER:	DATE:
PRESSURE TESTED	4.3 PSI	ASTM	D5926				6/17/2020
							SHEET
							1 OF 1