

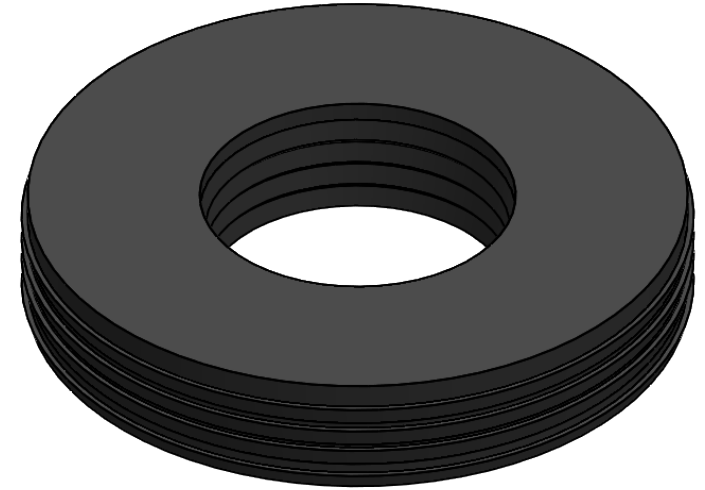
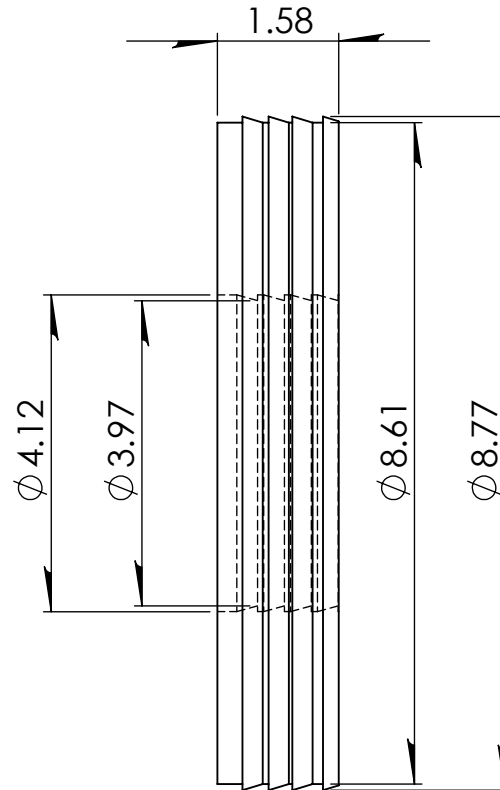
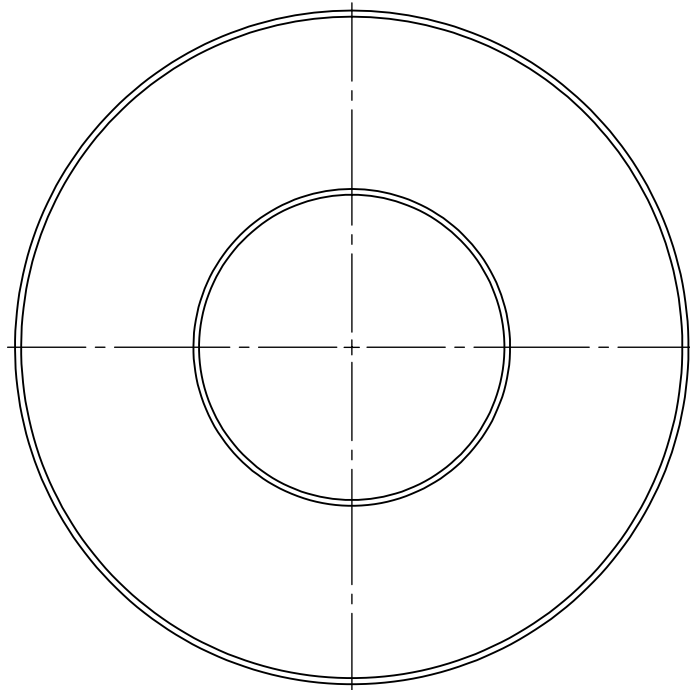


300 S. DAYTON ST.
 DAVISON, MI 48423
 PH: 810-503-9000
 FAX: 810-653-8714

608PB-401

DESCRIPTION:

CONNECTS 6 IN. SALEM CONC.
 HUB TO 4 IN. NHCI/SVCI/S&D PL.



NOTE:
FOR DWV USE ONLY

PROPRIETARY AND CONFIDENTIAL
 THE INFORMATION CONTAINED IN THIS
 DRAWING IS THE SOLE PROPERTY OF
 FERNCO, INC. ANY REPRODUCTION IN
 PART OR AS A WHOLE WITHOUT THE
 WRITTEN PERMISSION OF FERNCO, INC.
 IS PROHIBITED.

TOLERANCES:
 FRACTIONAL ± 1/4"
 .XX = ± .09
 ANG. = +3°
 UNLESS OTHERWISE SPECIFIED

MATERIAL	FLEXIBLE PVC	CLAMPS USED	N/A	UNITS:	SIZE:	AUTHOR:	SCALE:
PART WEIGHT		INSTALLATION TORQUE	N/A	INCHES	A	ELI MILLER	NOT TO SCALE
BOX QUANTITY		MIN/MAX TEMP.	-30/140 °F	3RD ANGLE PROJECTION DO NOT SCALE DRAWING		CHECKER:	DATE:
PRESSURE TESTED	4.3 PSI	ASTM	D5926				6/17/2020
							SHEET
							1 OF 1