

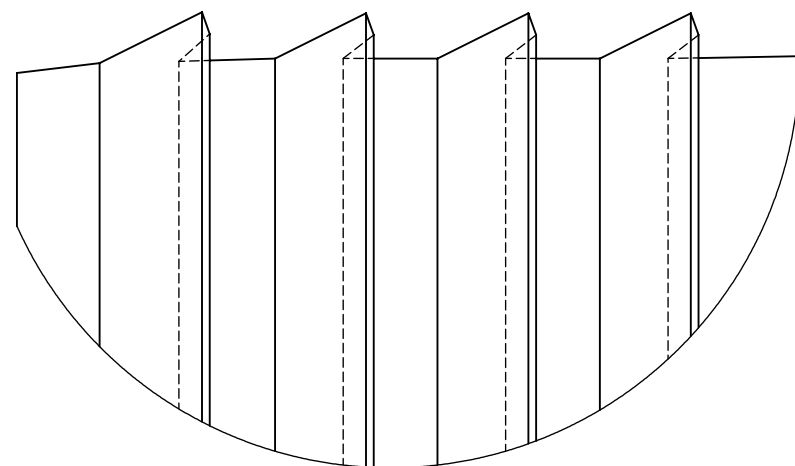


300 S. DAYTON ST.  
 DAVISON, MI 48423  
 PH: 810-653-9626  
 FAX: 810-654-2616

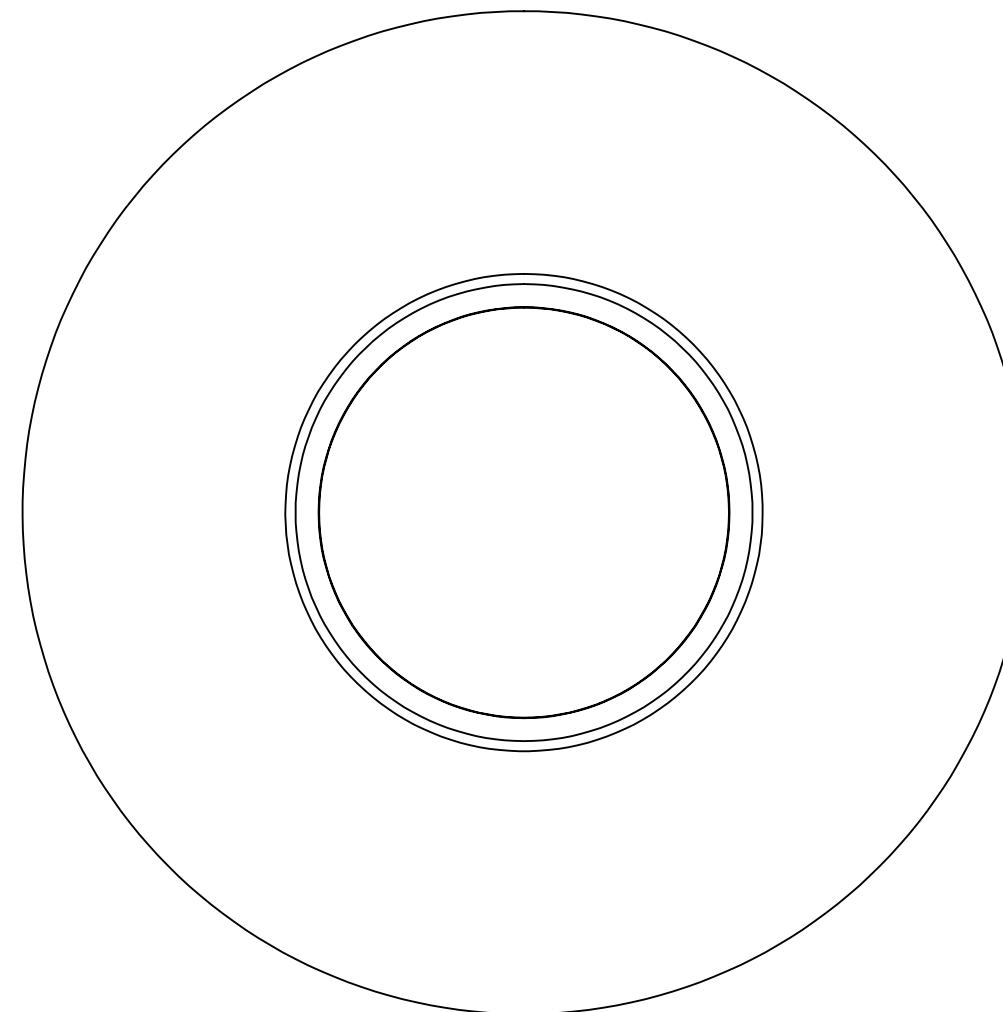
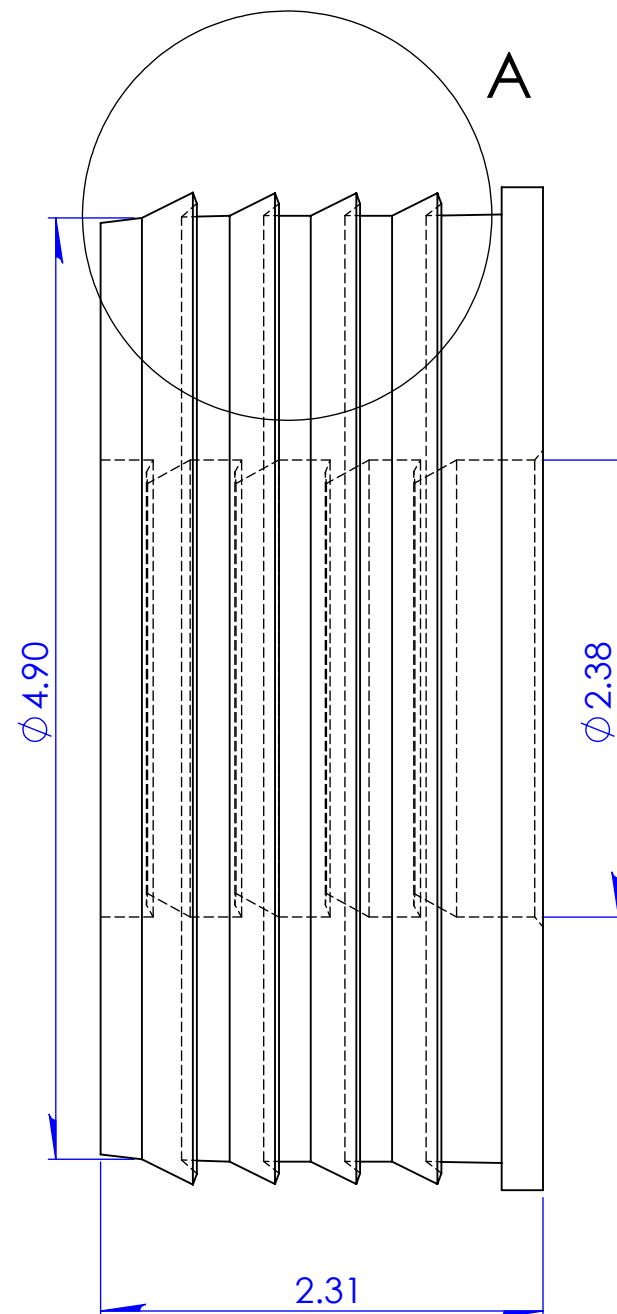
44U-205

DESCRIPTION:

4" Hub x 2" CI/PL



DETAIL A  
 SCALE 2 : 1



PROPRIETARY AND CONFIDENTIAL  
 THE INFORMATION CONTAINED IN THIS  
 DRAWING IS THE SOLE PROPERTY OF  
 FERNCO, INC. ANY REPRODUCTION IN  
 PART OR AS A WHOLE WITHOUT THE  
 WRITTEN PERMISSION OF FERNCO, INC.  
 IS PROHIBITED.

TOLERANCES:  
 Fractional  $\pm 1/4"$   
 .XX =  $\pm .06$   
 ANG. =  $\pm 3^\circ$   
 UNLESS OTHERWISE SPECIFIED

Part Weight		Installation Torque	
Min/Max Temp.	-30/140 Degrees F		D5926
Pressure Tested		Clamps used	
Material	Flexible PVC 60 Duro Shore A	Box Quantity	

UNITS:	SIZE:
INCHES	<b>A</b>
3RD ANGLE PROJECTION	
DO NOT SCALE DRAWING	

DESIGNER:	DATE:
N. Goddard	04/22/2016
CHECKER:	

SCALE:
not to scale
SHEET 1 OF 1