

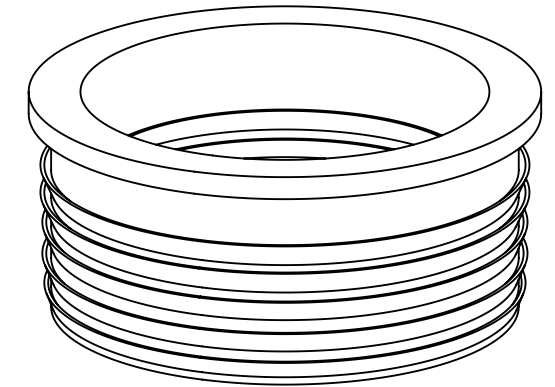
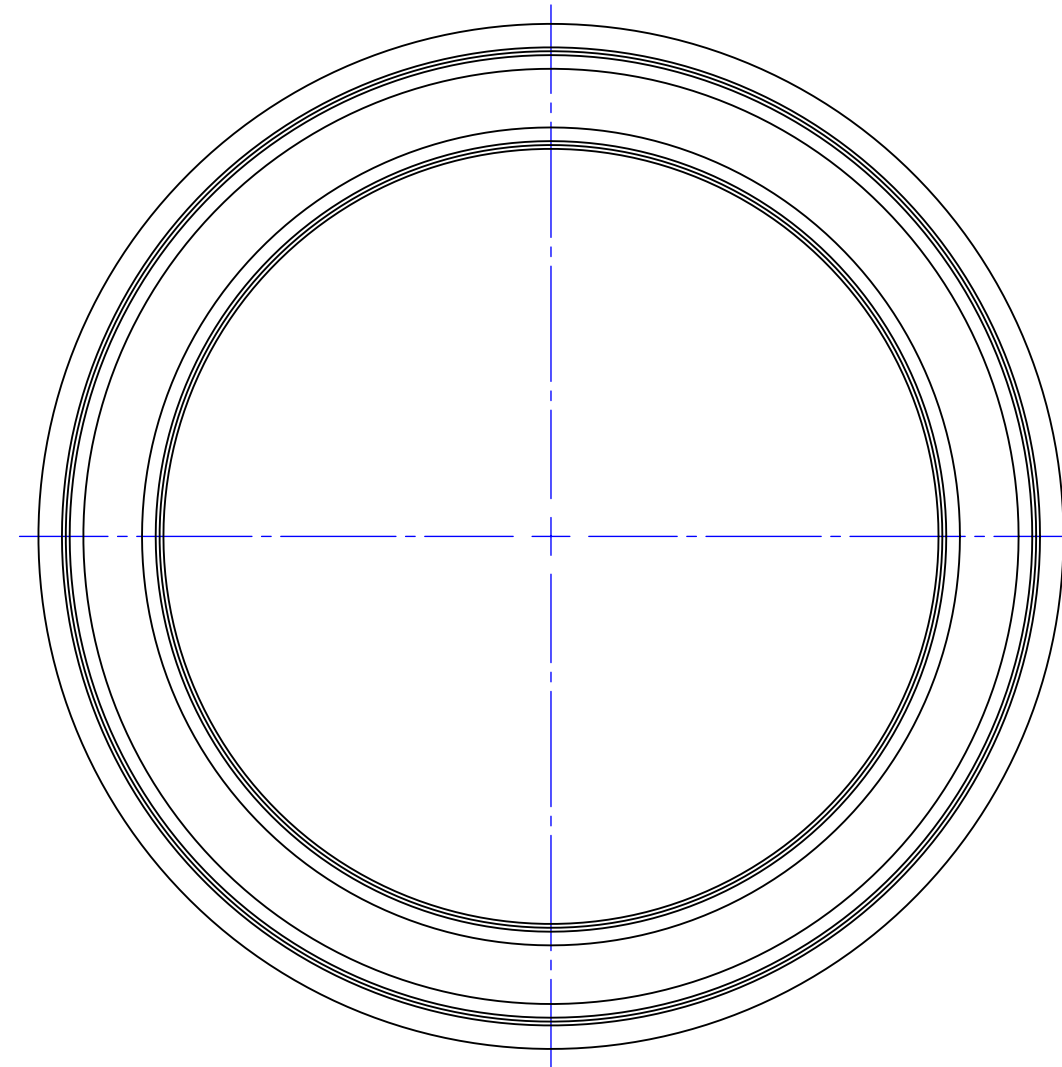
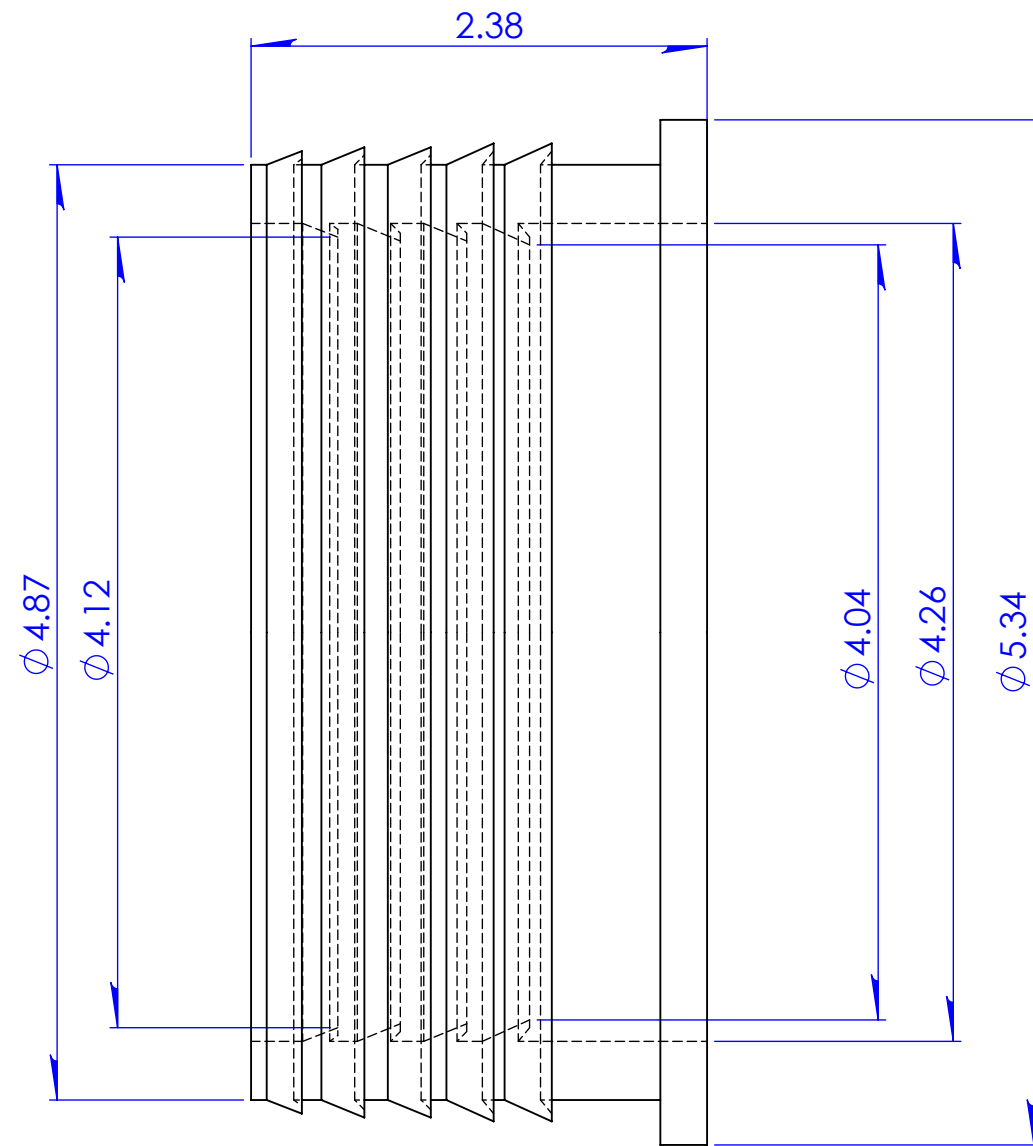


300 S. DAYTON ST.
 DAVISON, MI 48423
 PH: 810-653-9626
 FAX: 810-654-2616

44S-401

DESCRIPTION:

Custom Donut Bushing



Notes:

PROPRIETARY AND CONFIDENTIAL
 THE INFORMATION CONTAINED IN THIS
 DRAWING IS THE SOLE PROPERTY OF
 FERNCO, INC. ANY REPRODUCTION IN
 PART OR AS A WHOLE WITHOUT THE
 WRITTEN PERMISSION OF FERNCO, INC.
 IS PROHIBITED.

TOLERANCES:
 Fractional $\pm 1/4"$
 .XX = $\pm .06$
 ANG. = $\pm 3^\circ$
 UNLESS OTHERWISE SPECIFIED

Part Weight		Installation Torque		UNITS:	SIZE:	DESIGNER:	SCALE:
Min/Max Temp.	-30/140 Degrees F		D5926	INCHES	A	N. Goddard	not to scale
Pressure Tested		Clamps used		3RD ANGLE PROJECTION		CHECKER:	DATE:
Material	Flexible PVC 60 Duro Shore A	Box Quantity		DO NOT SCALE DRAWING			10/27/2016
							SHEET 1 OF 1