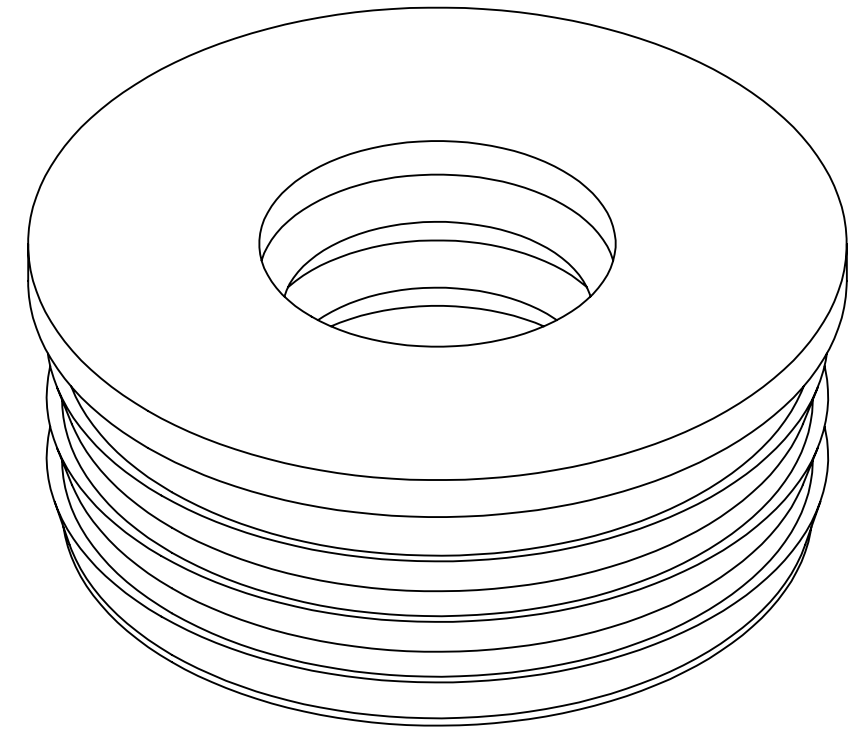


DETAIL A
SCALE 2 : 1



300 S. DAYTON ST.
DAVISON, MI 48423
PH: 810-653-9626
FAX: 810-654-2616

Part Weight	0.90 lbs.
Min/Max Temp.	-30/140 Degrees F
Pressure Tested	4.3 PSI
Material	Flexible PVC 60 Duro Shore A
Installation Torque	
Conforms to ASTM	D5926
Box Quantity	
Clamps used	

TOLERANCES:
.X= Fractional ±
.XX= ±.060
.XXX= ±.032
ANG.= ±0.5°
UNLESS OTHERWISE SPECIFIED

UNITS: INCHES
SIZE: **A**
3RD ANGLE PROJECTION
DO NOT SCALE DRAWING

DESCRIPTION: Donut 3" Service Weight Cast Iron x 1 1/2" Sch. 40	
33U-139	
DESIGNER: D. Brady	SCALE not to scale
CHECKER:	DATE: 9/3/2010
SHEET 1 OF 1	

PROPRIETARY AND CONFIDENTIAL
THE INFORMATION CONTAINED IN THIS DRAWING IS THE SOLE PROPERTY OF FERNCO, INC. ANY REPRODUCTION IN PART OR AS A WHOLE WITHOUT THE WRITTEN PERMISSION OF FERNCO, INC. IS PROHIBITED.